

**RANGER**<sup>TM</sup>  
DESIGN



# BUYERS' GUIDE

---

**2024**



# HELPING MOBILE TECHNICIANS WORK MORE EFFECTIVELY BY PROVIDING ORGANIZED STORAGE SOLUTIONS

## AT RANGER DESIGN, WE BELIEVE MORE IS POSSIBLE.

We believe work vehicles and the technicians that drive them can become more organized, more efficient, more productive and more profitable. At Ranger Design we're committed to bringing you the products and services that make that possible.

More means helping you choose the right work van for your application, as well as giving you engineering support and expert advice to help design the most efficient work space in your new vehicle.

More also means getting that new van outfitted and on the road faster, so you can start using it for the reason you bought it.

We're committed to bringing you more, because we believe more is possible.





**INSTALL TIMES**

Install time is estimated based on the average time taken by an experienced Ranger Design installer.

**UPDATED DATA**

At the moment of publication, the data included in this directory was up-to-date.

Any corrections, modifications and discontinued product occurring after publication date are reflected in our Buyers' Guide available on our website.

The digital version of all our catalogs is always updated as modifications occur during the year.

**TABLE OF CONTENTS**

CHOOSE A PRODUCT LINE . . . . . P. 4

HOW TO BUY . . . . . P. 6

GETTING STARTED . . . . . P. 8

LAYOUT GUIDES . . . . . P. 10

VAN UPFIT . . . . . P. 22

VAN PARTITIONS . . . . . P. 30

VAN PACKAGES . . . . . P. 52

VAN SHELVING . . . . . P. 128

VAN DRAWERS . . . . . P. 148

VAN STORAGE UNITS . . . . . P. 158

VAN ACCESSORIES . . . . . P. 168

VAN ROOF RACKS . . . . . P. 176

INDEX . . . . . P. 198

# CHOOSE A PRODUCT LINE TO MATCH YOUR NEEDS

Ranger Design steel and aluminum product groups ensure that fleets of any size have the best equipment to fit their budget, trade or fuel saving targets.



**Aluminum**



**Steel**

|  | <b>BENEFITS</b>                                | <b>PRODUCTS</b>   | <b>WARRANTY</b>                          |
|--|--|---|--|
| <p><b>WHY BUY STEEL?</b><br/>You want better quality and price than other steel products on the market.</p>  | Tough<br>Low cost<br>Quiet                     | Shelving  | 10 years*                                |
|  |  | Partitions, Drawers, Accessories                                | 3 years*                                 |
| <p><b>WHY BUY ALUMINUM?</b><br/>You want the toughest, quietest product on the market. You need to optimize payload without sacrificing quality.</p> | <b>Toughest</b><br><b>Lightweight</b><br>Quiet | <b>Shelving, Partitions, Drawers, Accessories, Ladder Racks</b> | <b>10 years*</b><br>Exceptions may apply |

\*Ranger Design Inc. van equipment is warranted to be free from defects in material and workmanship under normal use and service for the period indicated, from the date of the original retail purchase, when installed per Ranger Design instructions in the original vehicle. Please contact Customer Service for full warranty details. Email: [cs@rangerdesign.com](mailto:cs@rangerdesign.com)

Throughout the catalog **STEEL** products are depicted with yellow and **ALUMINUM** products with black.

# World Class Customer Service



## Real people, ready to answer in 2 rings or less\*

We are pleased to offer an efficient, personalized service to answer all questions regarding:

- › Pricing/Quoting
- › Product install
- › Order status
- › Consultation
- › Shipment status
- › New product availability
- › Product specifications
- › Warranty claims
- › Returns/Restocking
- › Vehicle specifications

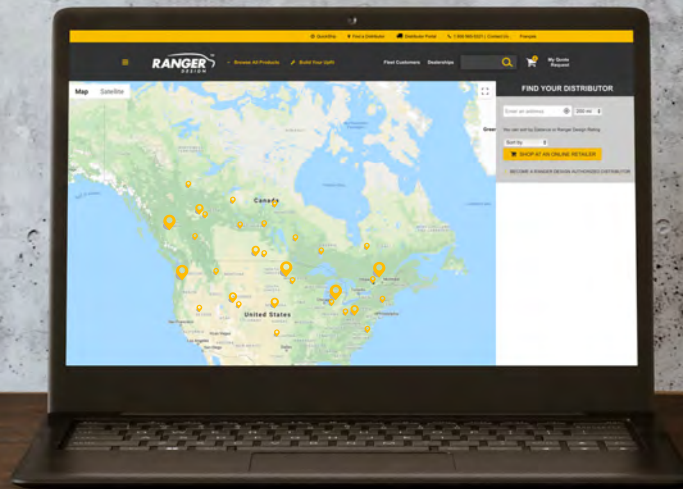
\*Call customer service and the phone will be answered in 2 rings or less. Yes, a real, live person working in one of our offices in North America is available to answer your questions. No automated attendant. No complicated phone tree and offshore service. Call us to experience the difference.

# OVER 300 DISTRIBUTORS ACROSS THE CONTINENT

|                  | <b>Regular Order</b>  | <b>QuickShip Order</b>   |
|------------------|---|--|
| <b>Buy</b>       | Contact one of our 300 distributors<br><a href="http://rangerdesign.com/find-distributor">rangerdesign.com/find-distributor</a> . | Ranger Design QuickShip service is available through your local distributor.                         |
| <b>Lead Time</b> | Orders ship from our factory within 5 business days.  | Orders placed with Ranger Design before 1PM EST will ship from our factory in the next business day. |



Throughout the catalog products and packages with this symbol can be ordered through our QuickShip service.



# Turn-Key Fleet Services



## Ship Through or Local Installation Across North America for all Types of Cargo Vans

We are pleased to offer an efficient, personalized service to answer all questions regarding:

### 1. Analysis

- › Cargo Needs Analysis
- › Custom 3D CAD Layouts
- › Hands-on Equipment Demo

### 2. Testing

- › Test Fitting
- › Pilot Build and Review
- › Package Optimization based on Technician Feedback

### 3. Delivery

- › Delivery, Production, Installation Planning and Scheduling
- › Vehicle Status Tracking

### 4. Service

- › Dedicated Fleet Account Management Team
- › Distributor Service Support Network
- › Live Customer Service

# TAKE A FEW MINUTES TO WRITE DOWN THESE SIMPLE STEPS

## Plan your storage zones

For how long do you plan to use the vehicle?  A year  2–5 years  10 years or more (see page 4)

Will payload capacity be an issue?  Yes  No Why? \_\_\_\_\_

What type of industry are you in? \_\_\_\_\_

## What kind of partition do I need? (F zone)

Do I need to see my cargo or see out the side doors?  Yes  No

Do I need the ability to go from the cabin to the cargo area through the partition?  Yes  No

## List the equipment/products you will need to store

Place the items that you need most often in the most accessible locations.

|       | How often will you use this? |                          |                          | Zone      |
|-------|------------------------------|--------------------------|--------------------------|-----------|
|       | Daily                        | Weekly                   | Monthly                  | A-B-C-D-E |
| _____ | <input type="checkbox"/>     | <input type="checkbox"/> | <input type="checkbox"/> | _____     |
| _____ | <input type="checkbox"/>     | <input type="checkbox"/> | <input type="checkbox"/> | _____     |
| _____ | <input type="checkbox"/>     | <input type="checkbox"/> | <input type="checkbox"/> | _____     |
| _____ | <input type="checkbox"/>     | <input type="checkbox"/> | <input type="checkbox"/> | _____     |
| _____ | <input type="checkbox"/>     | <input type="checkbox"/> | <input type="checkbox"/> | _____     |

Will I need to carry larger objects  Yes  No

## List the tools you will need to carry

Place heavy tools closest to the access doors.

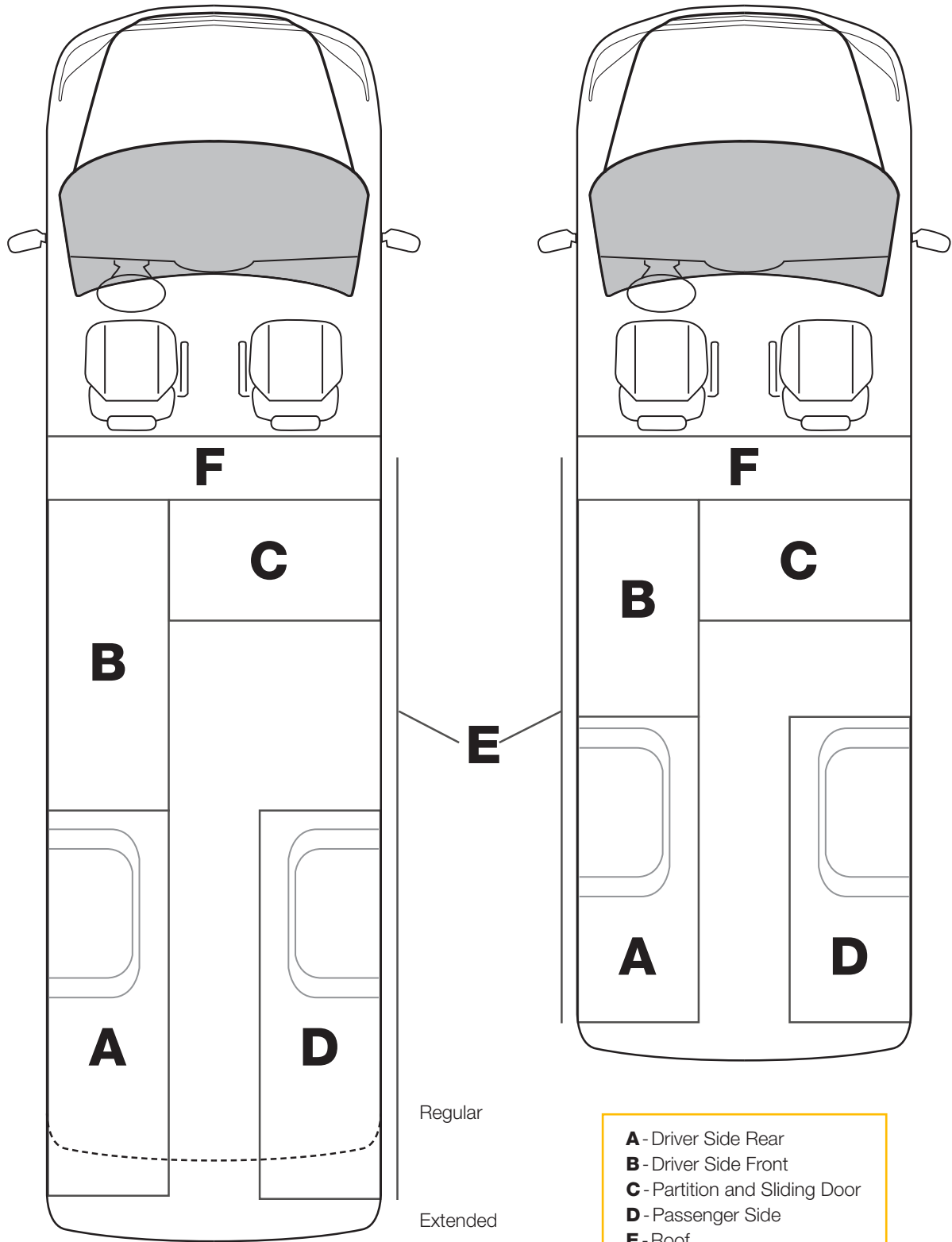
|       | How often will you use this? |                          |                          | Zone      |
|-------|------------------------------|--------------------------|--------------------------|-----------|
|       | Daily                        | Weekly                   | Monthly                  | A-B-C-D-E |
| _____ | <input type="checkbox"/>     | <input type="checkbox"/> | <input type="checkbox"/> | _____     |
| _____ | <input type="checkbox"/>     | <input type="checkbox"/> | <input type="checkbox"/> | _____     |
| _____ | <input type="checkbox"/>     | <input type="checkbox"/> | <input type="checkbox"/> | _____     |
| _____ | <input type="checkbox"/>     | <input type="checkbox"/> | <input type="checkbox"/> | _____     |
| _____ | <input type="checkbox"/>     | <input type="checkbox"/> | <input type="checkbox"/> | _____     |
| _____ | <input type="checkbox"/>     | <input type="checkbox"/> | <input type="checkbox"/> | _____     |

What kind of ladder(s) will I be carrying? Step ladder Size \_\_\_\_\_ Extension ladders Size \_\_\_\_\_

 **Go to page 201 for an extra copy of this Getting Started form.**



# STORAGE ZONES



- A** - Driver Side Rear
- B** - Driver Side Front
- C** - Partition and Sliding Door
- D** - Passenger Side
- E** - Roof
- F** - Partition

# HOW TO USE THE LAYOUT GUIDE

## INSIDE ROOF HEIGHT

To determine the maximum shelf height that can be used in the van.

## PARTITION DEPTH

This indicates the space taken up by our partition for this vehicle. Please note that this measurement is determined by the partition that encroaches the most. Some partitions may take up less space. Take note that this measurement may not necessarily be on the floor.

## DOOR OPENING

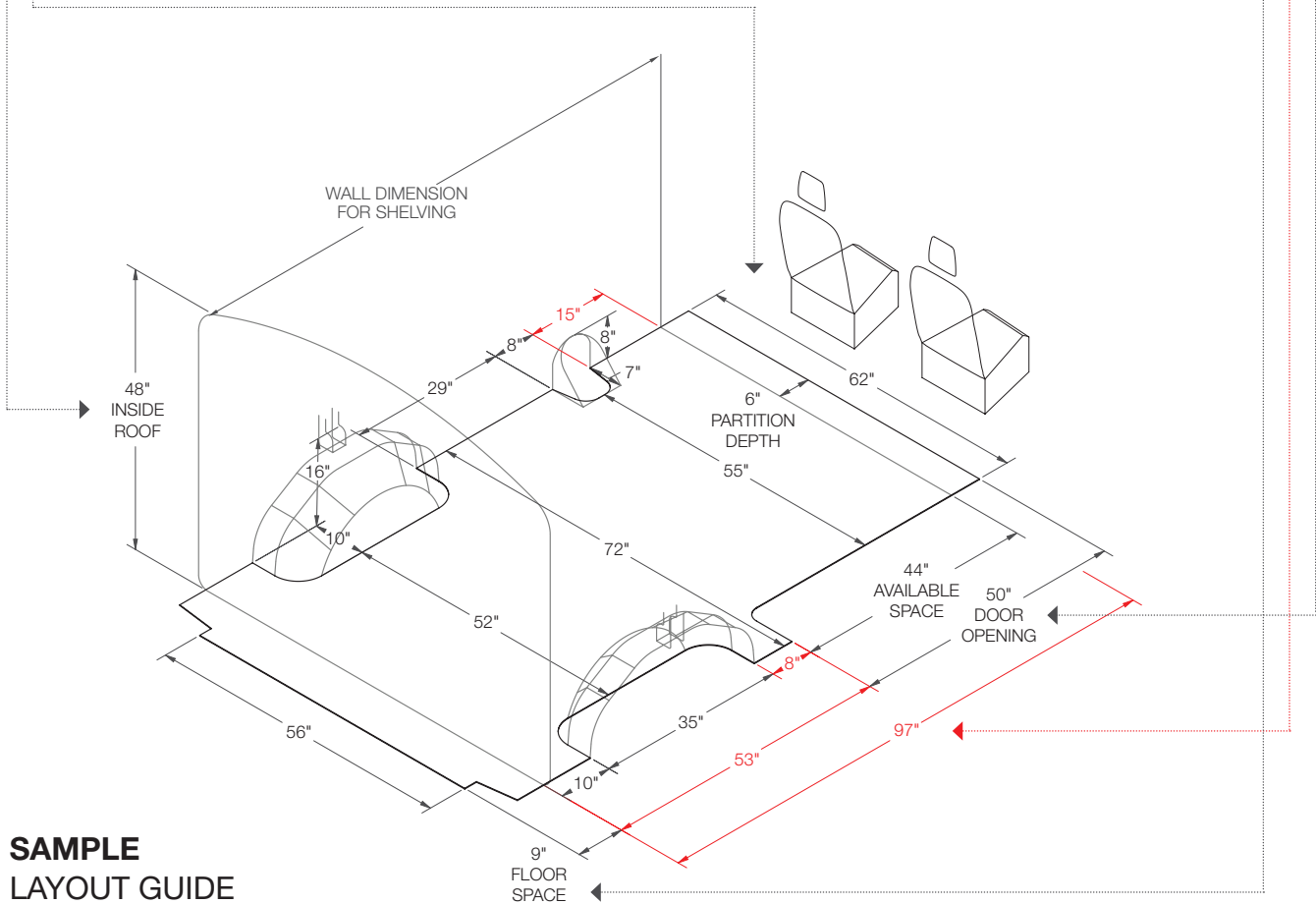
To determine where shelving will land in relation to the door opening. Use this measurement to determine the space available for drawer units.

## DIMENSIONS IN RED

These dimensions indicate unique measurements for each wheelbase. Use red dimensions to determine the exact wheelbase of your van.

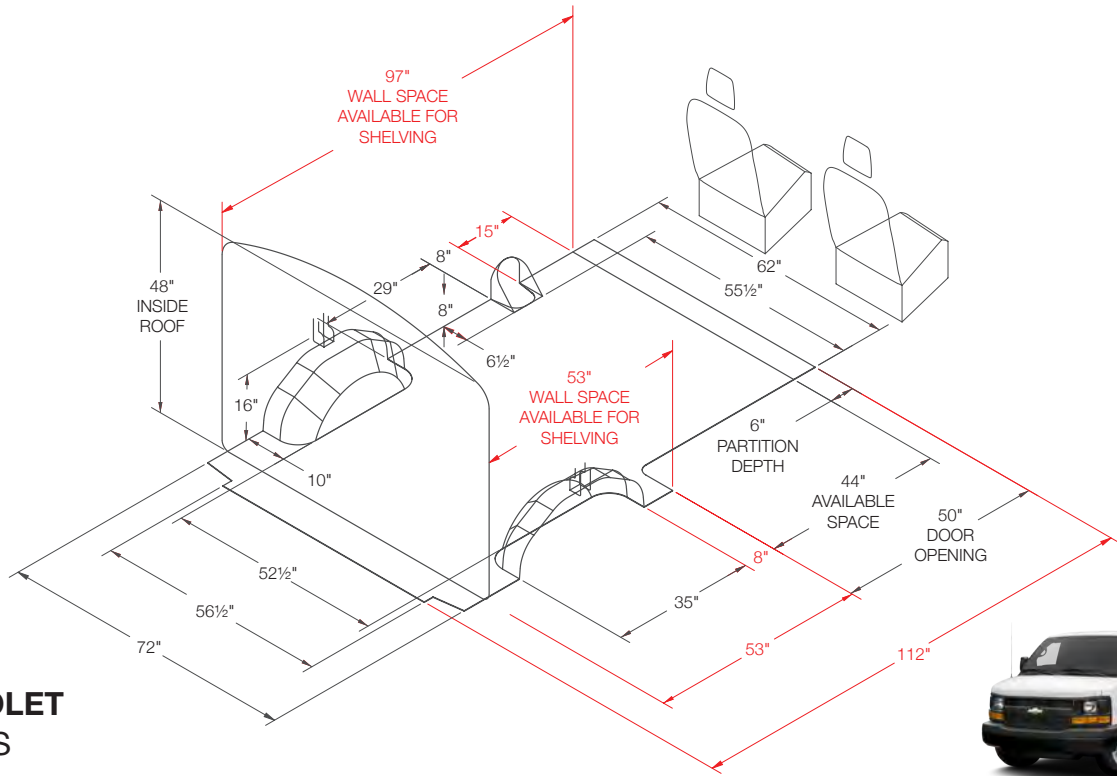
## FLOOR SPACE

This area is usable floor space but due to curvature of the van there may not be the same available area at the roof. Please measure actual van for specific measurement at roof.



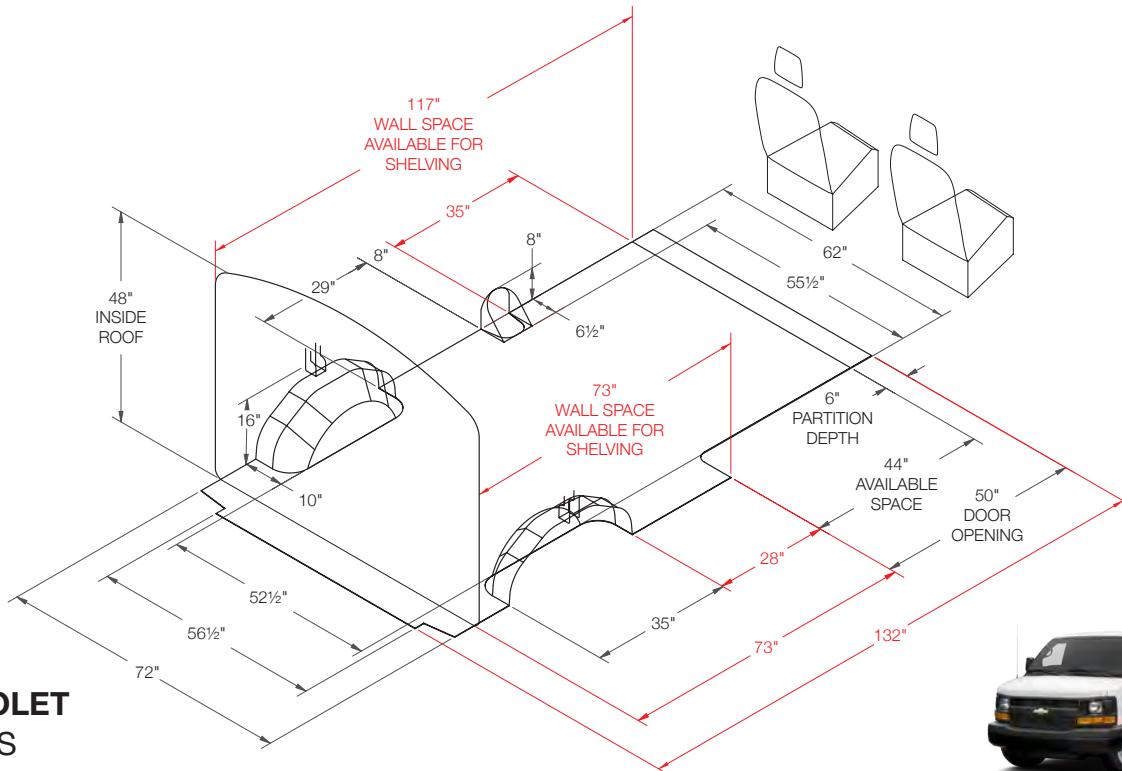
### SAMPLE LAYOUT GUIDE

Wheelbase



## CHEVROLET EXPRESS

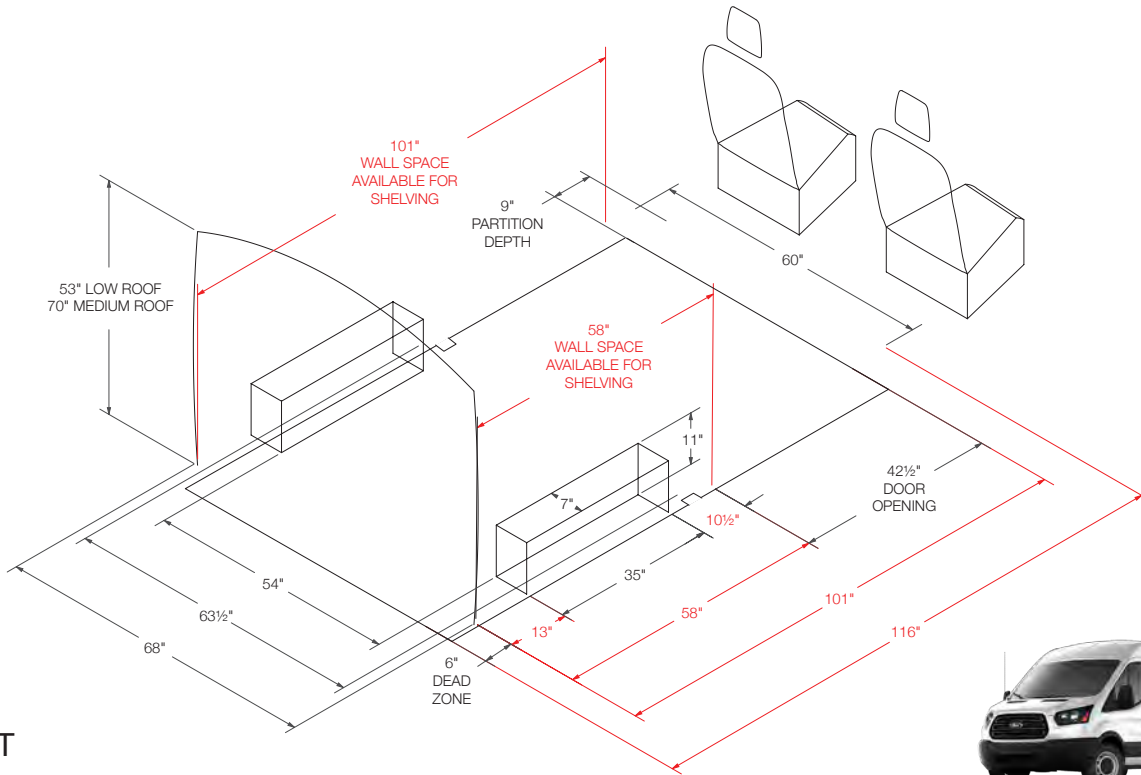
Regular 135" Wheelbase



## CHEVROLET EXPRESS

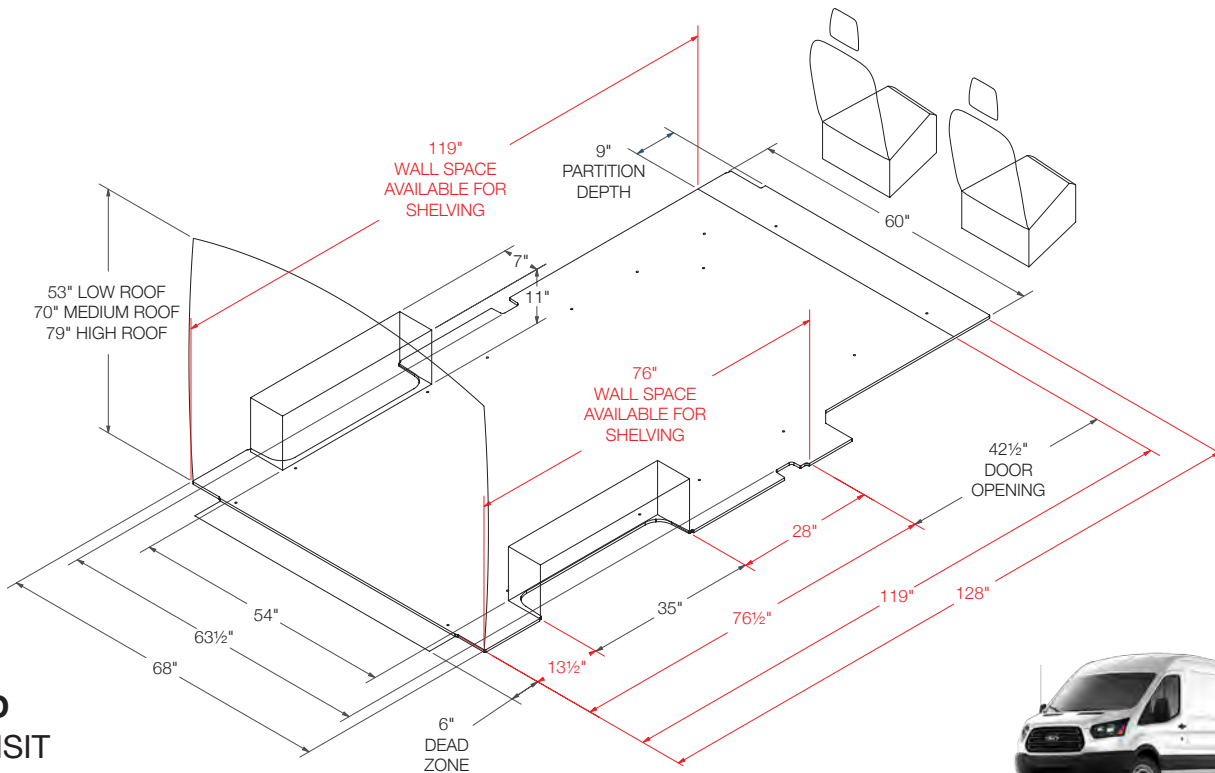
Extended 155" Wheelbase

# LAYOUT GUIDES



## FORD TRANSIT

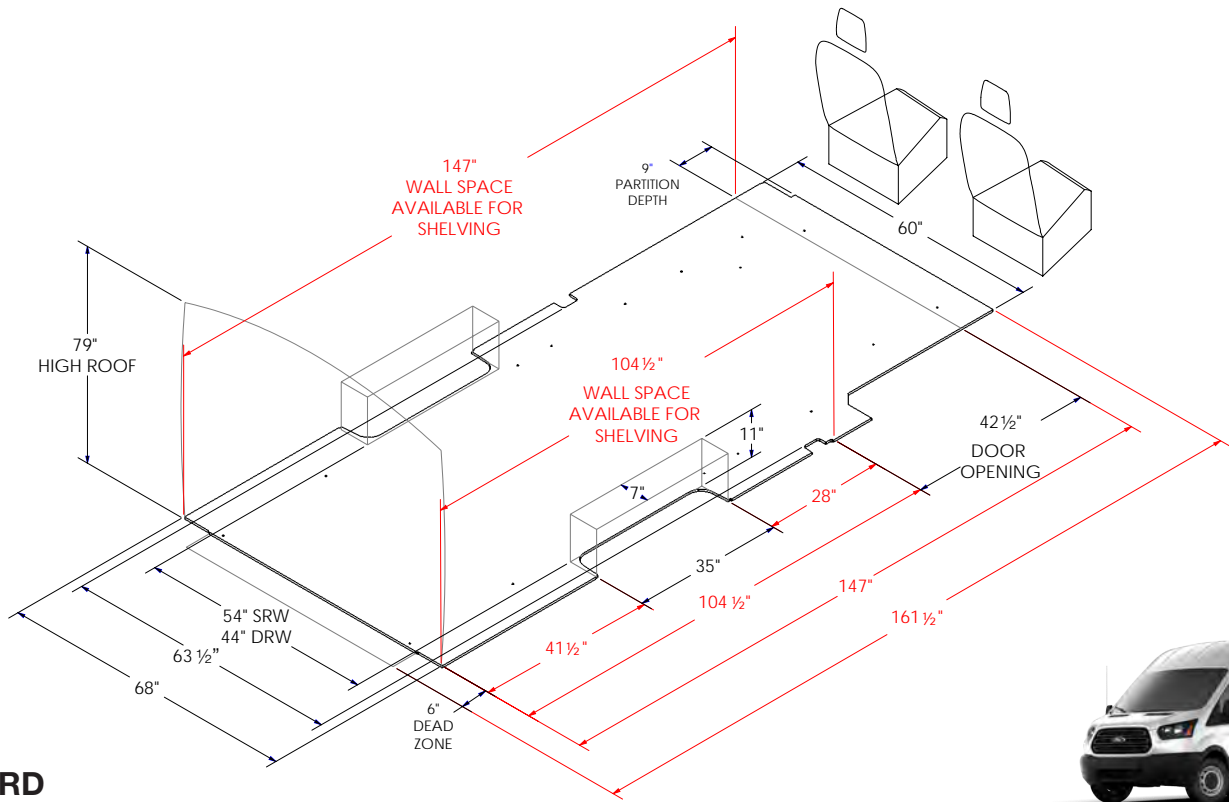
Regular 130" Wheelbase



## FORD TRANSIT

Long 148" Wheelbase

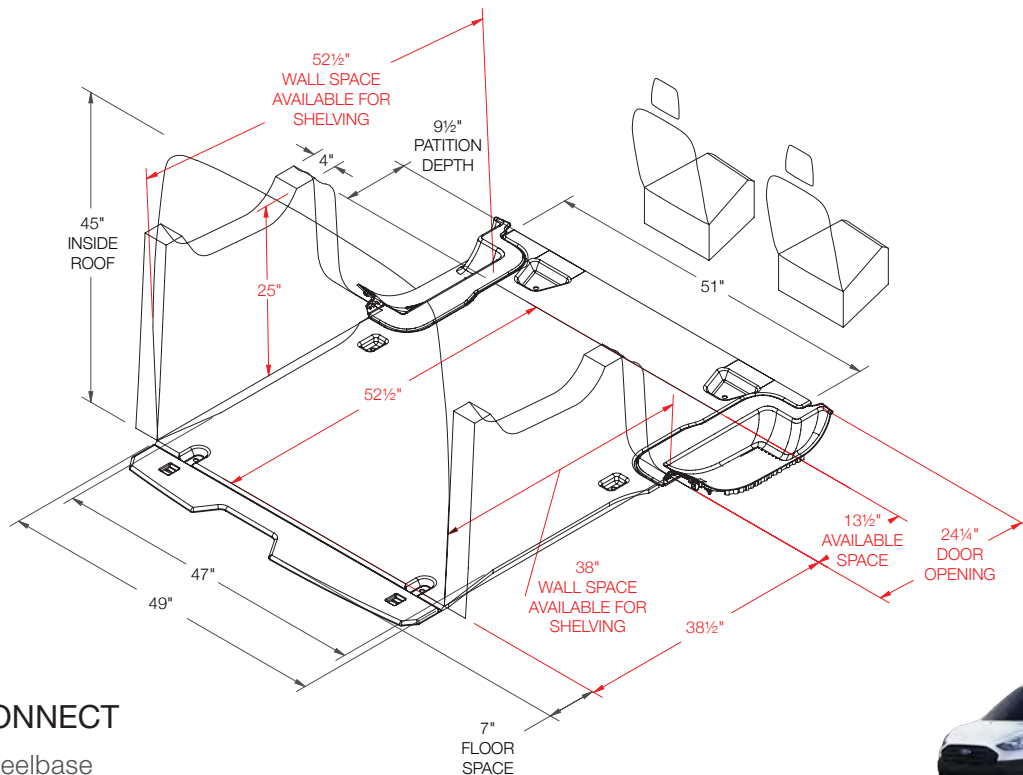




## FORD TRANSIT

Long 148" Wheelbase Extended

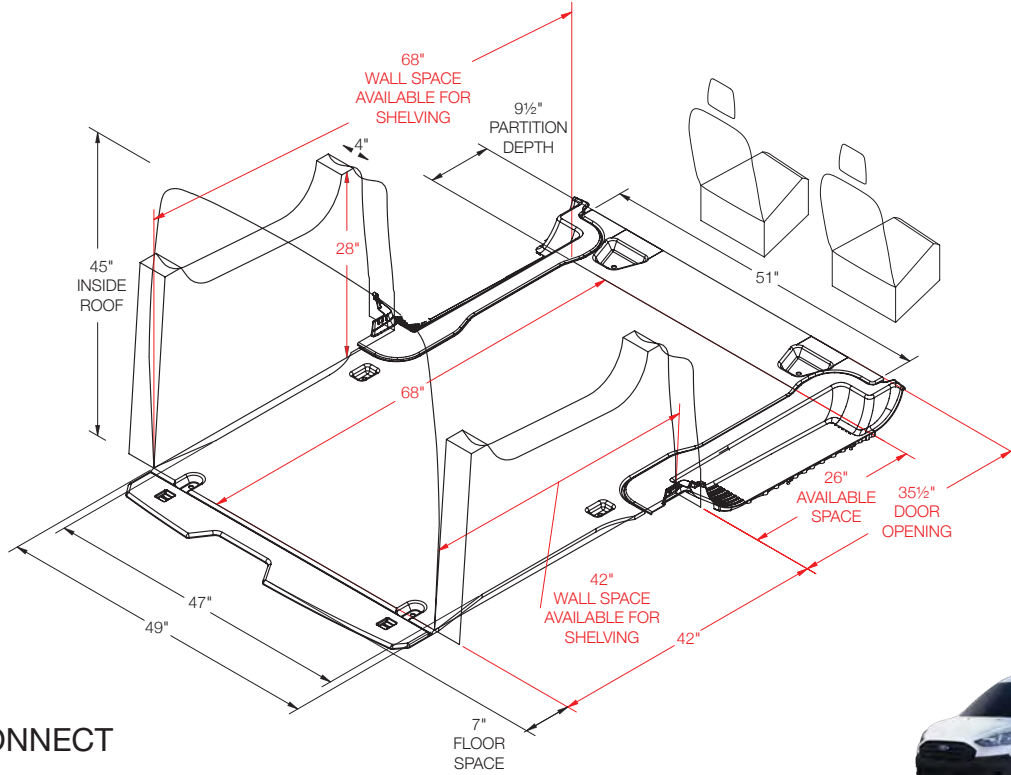
**SRW** Single rear wheel  
**DRW** Double rear wheel



## FORD TRANSIT CONNECT

Short 105" Wheelbase  
Available in U.S. only

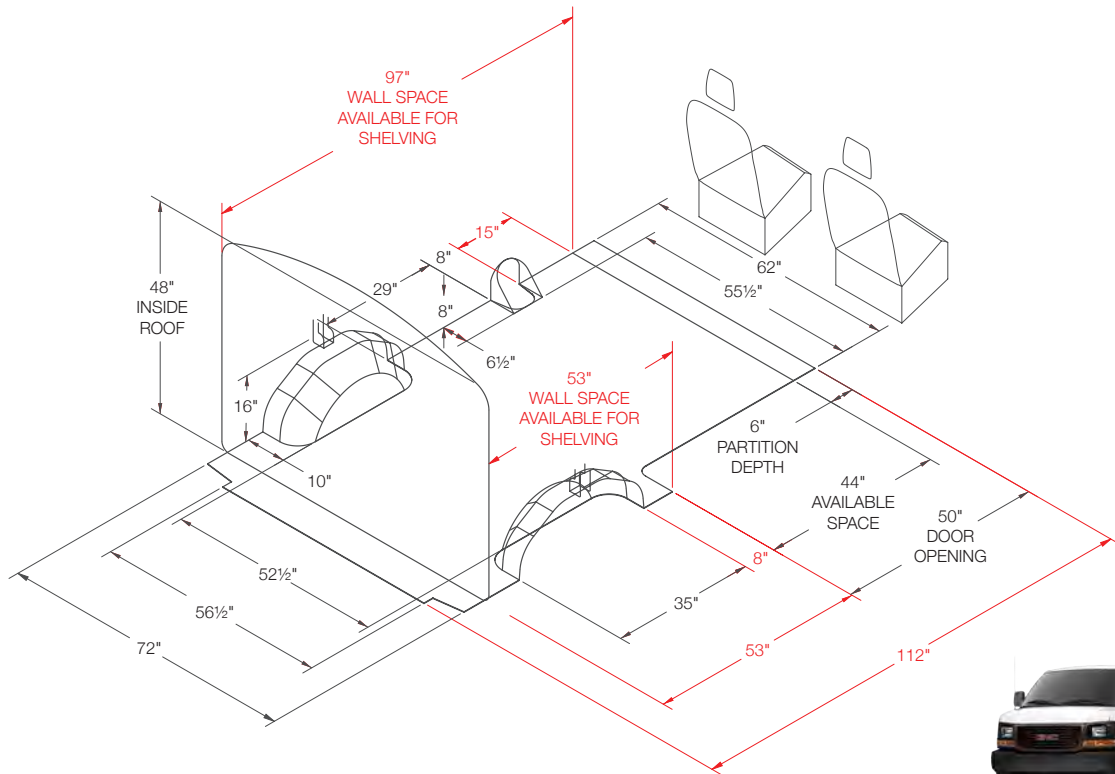
# LAYOUT GUIDES



## FORD TRANSIT CONNECT

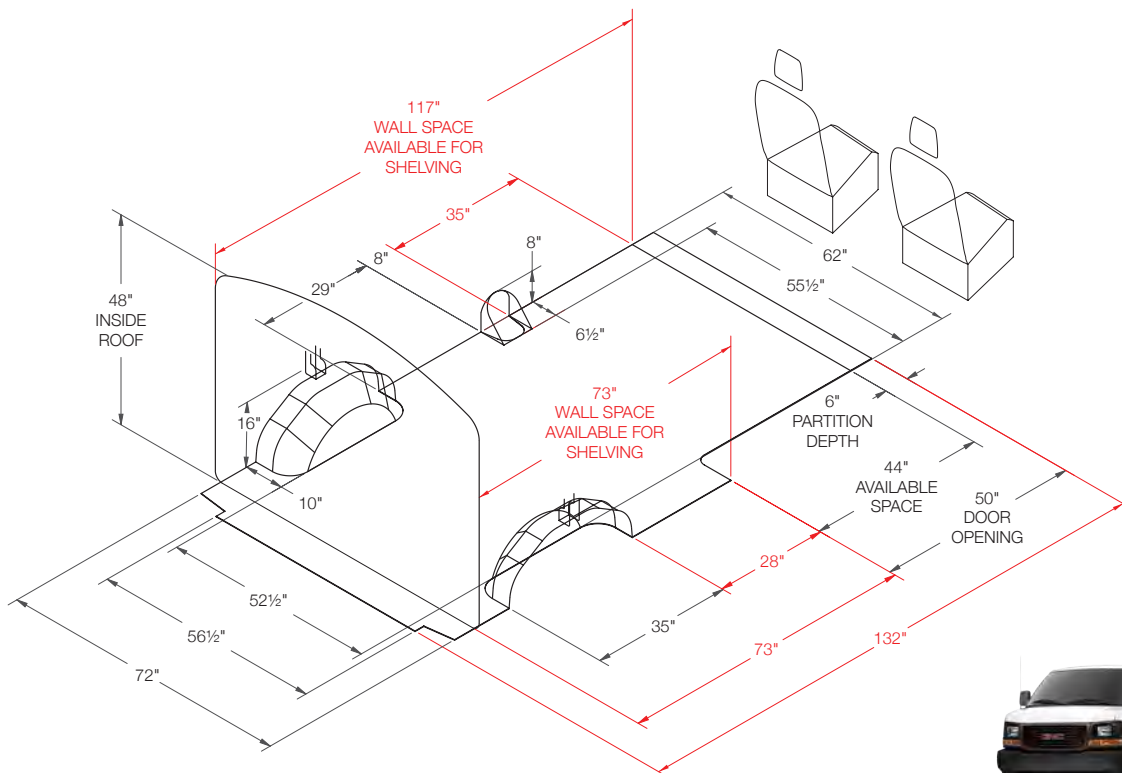
Long 120.5" Wheelbase





## GMC SAVANA

Regular 135" Wheelbase

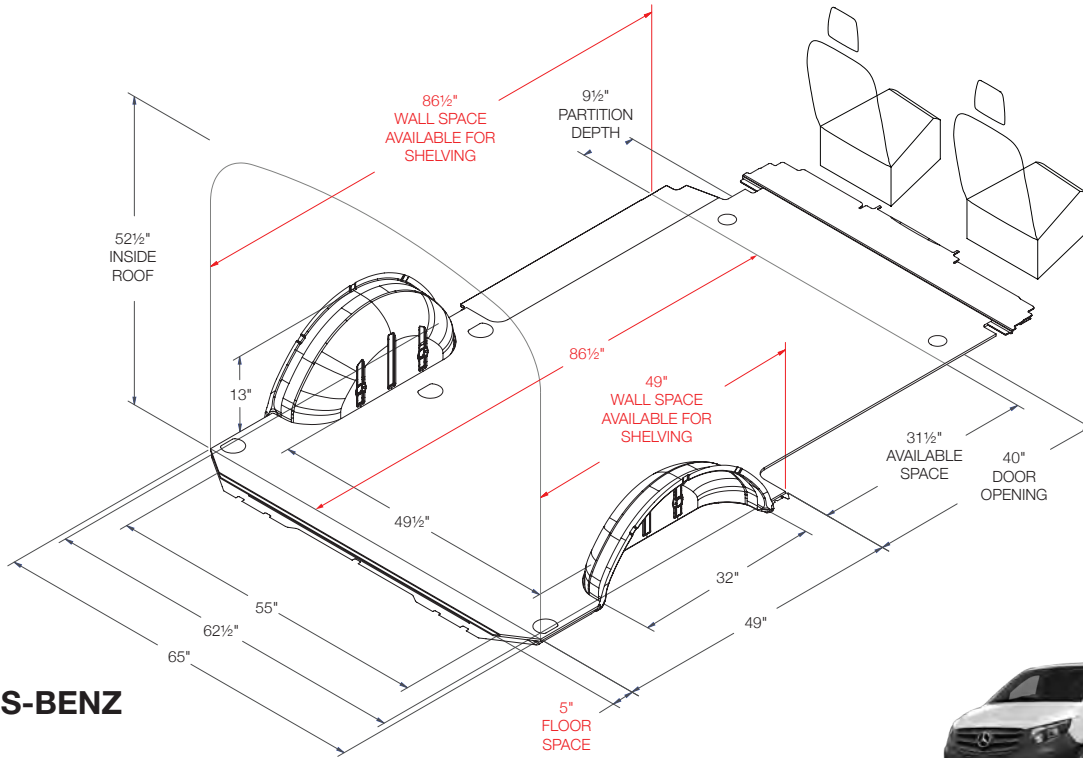


## GMC SAVANA

Extended 155" Wheelbase

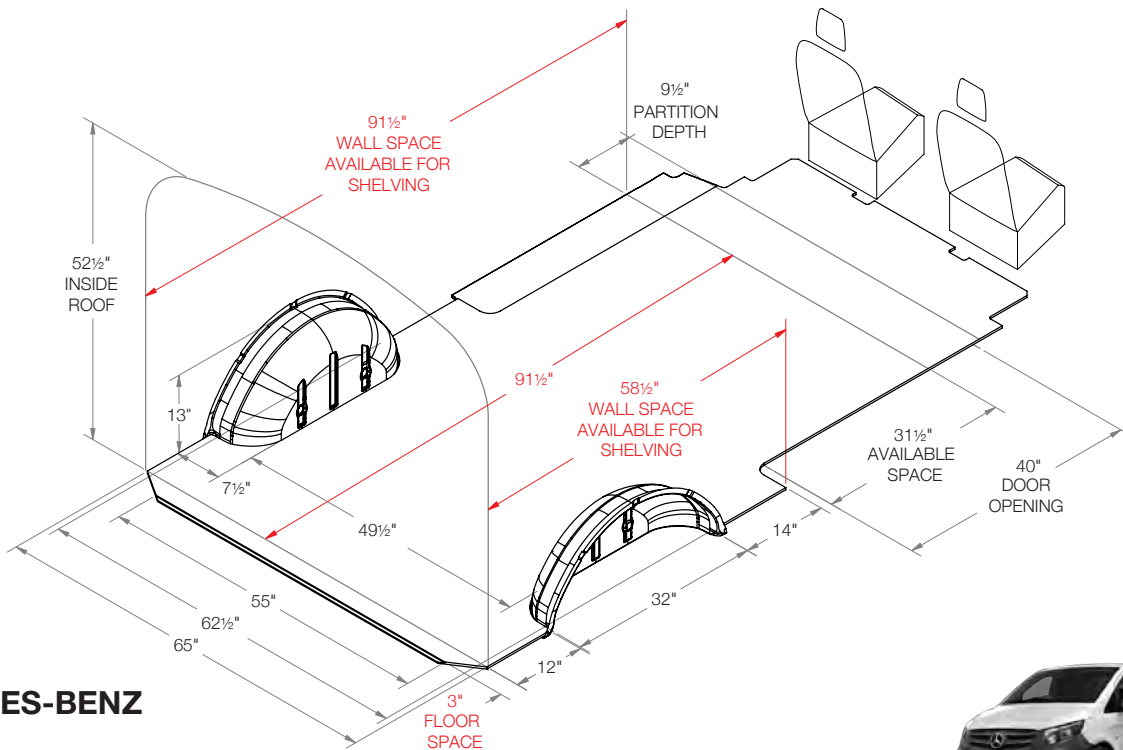


# LAYOUT GUIDES



## MERCEDES-BENZ METRIS

Regular 126" Wheelbase

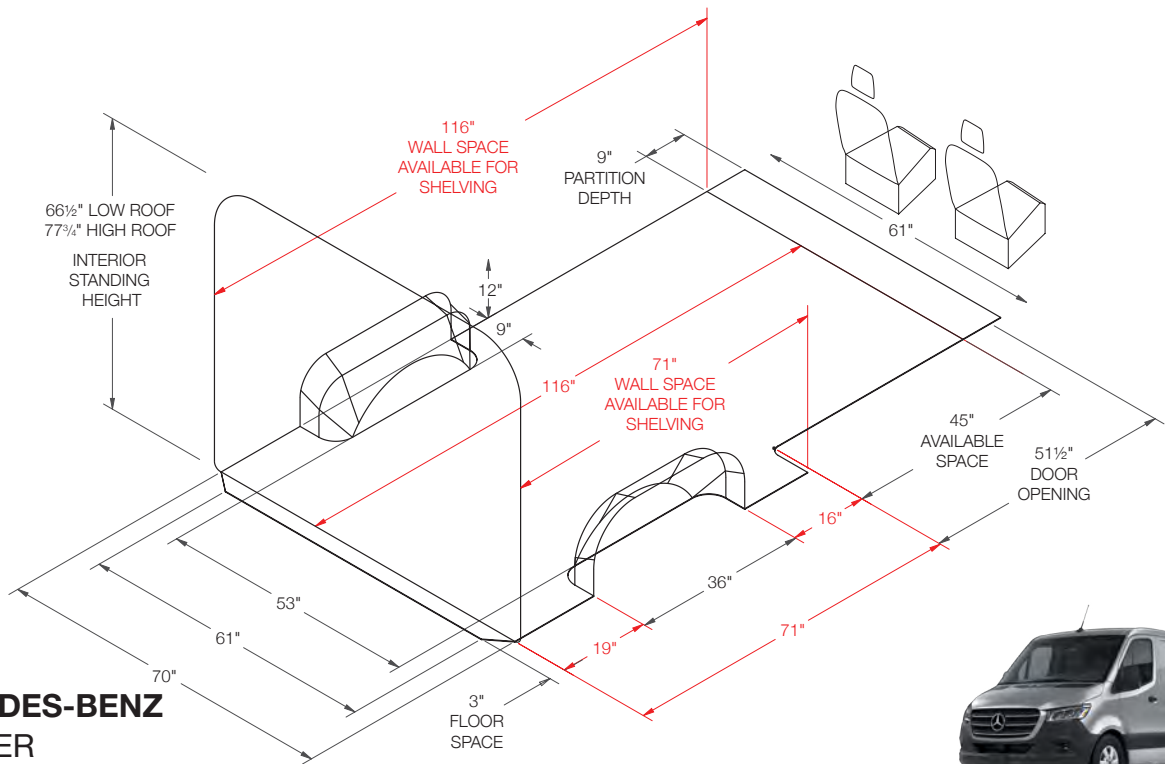


## MERCEDES-BENZ METRIS

Long 135" Wheelbase

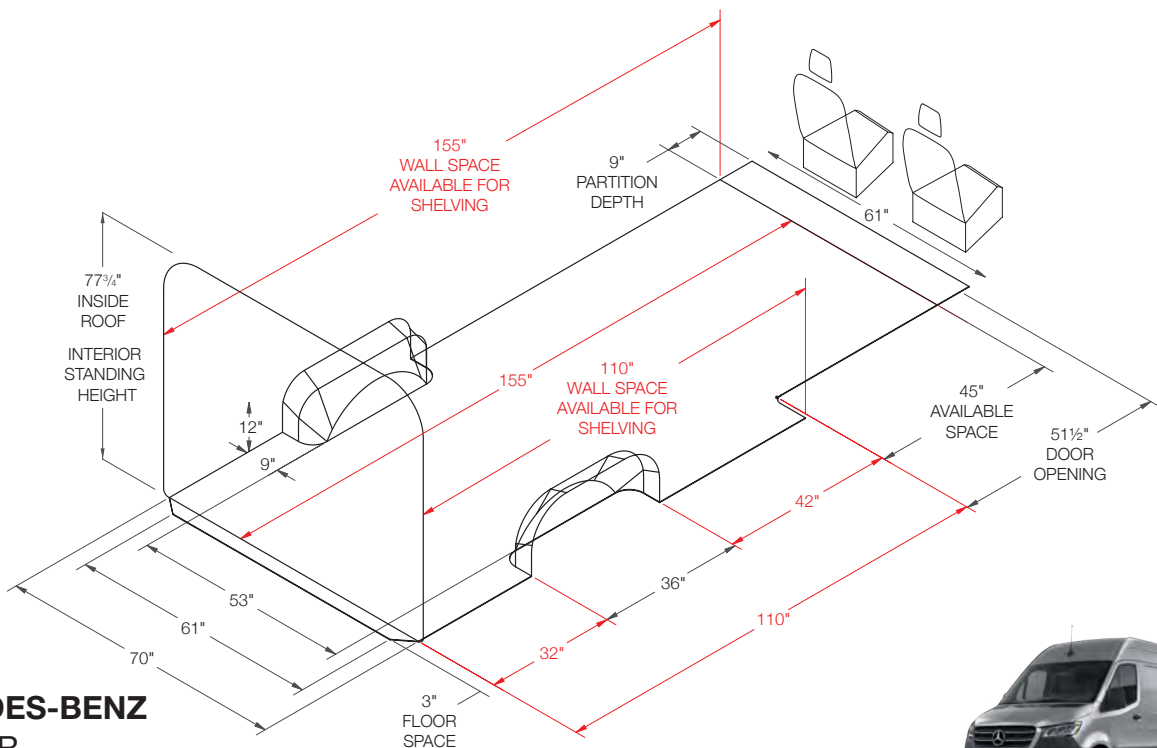






## MERCEDES-BENZ SPRINTER

Regular 144" Wheelbase

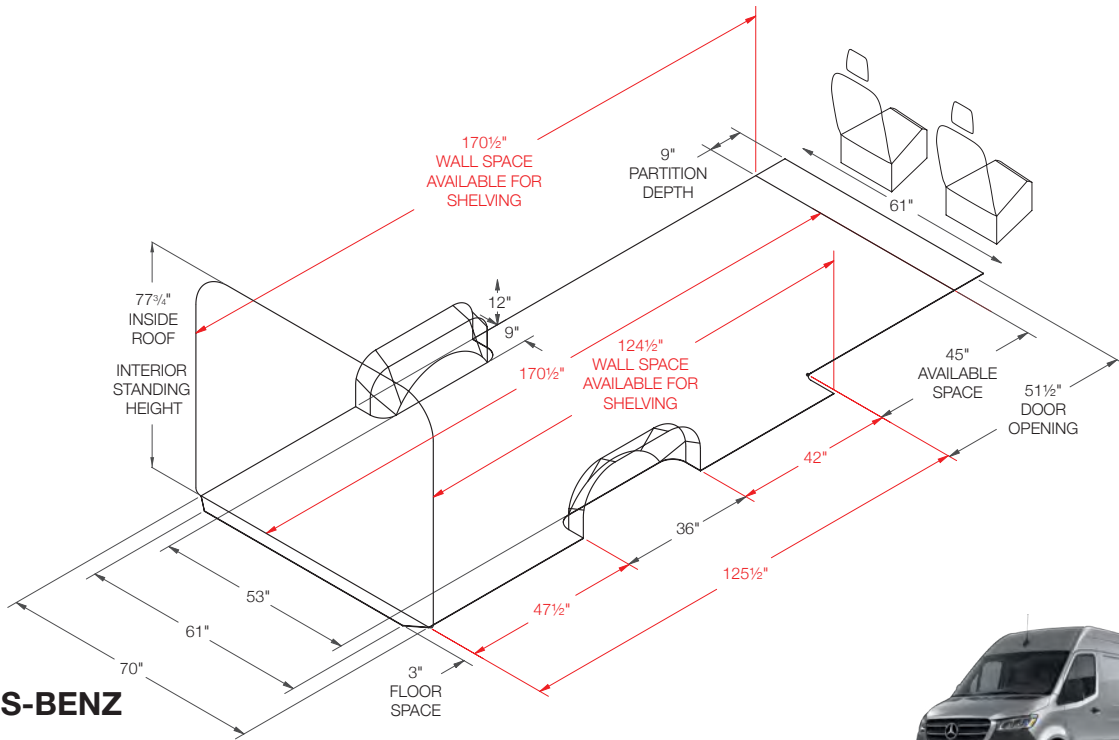


## MERCEDES-BENZ SPRINTER

Long 170" Wheelbase

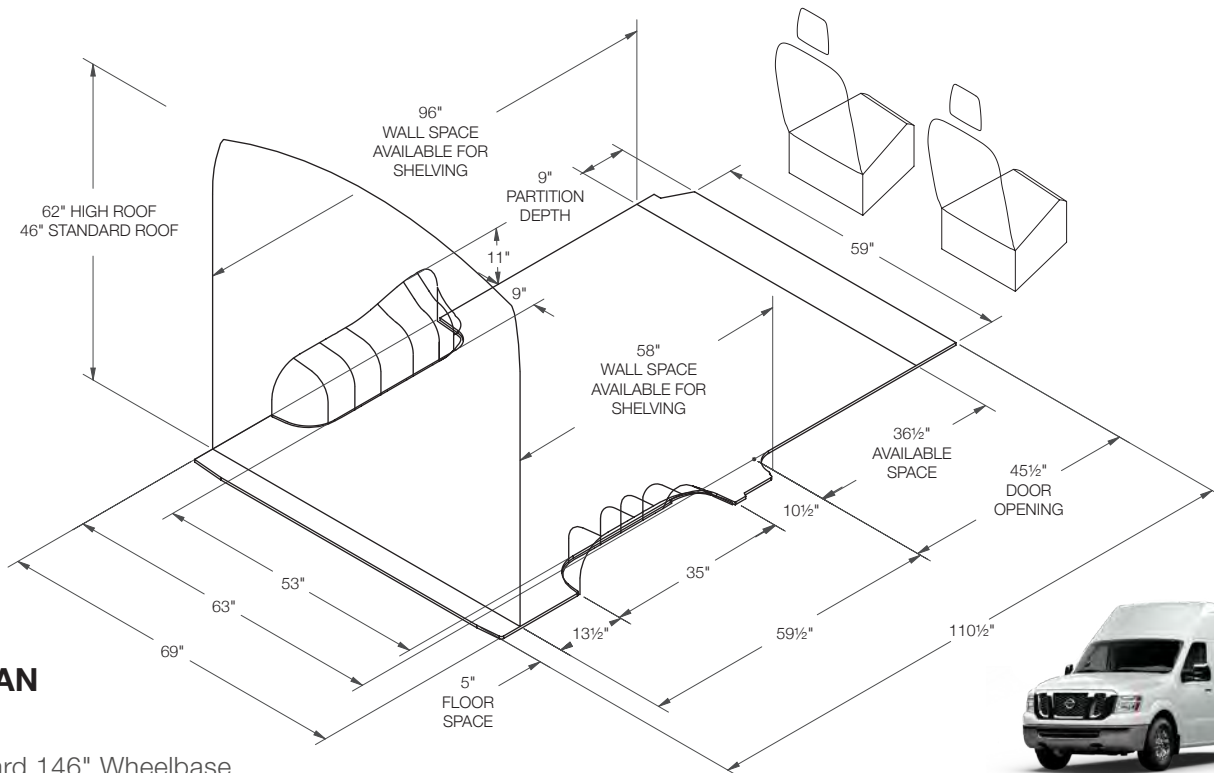


# LAYOUT GUIDES



## MERCEDES-BENZ SPRINTER

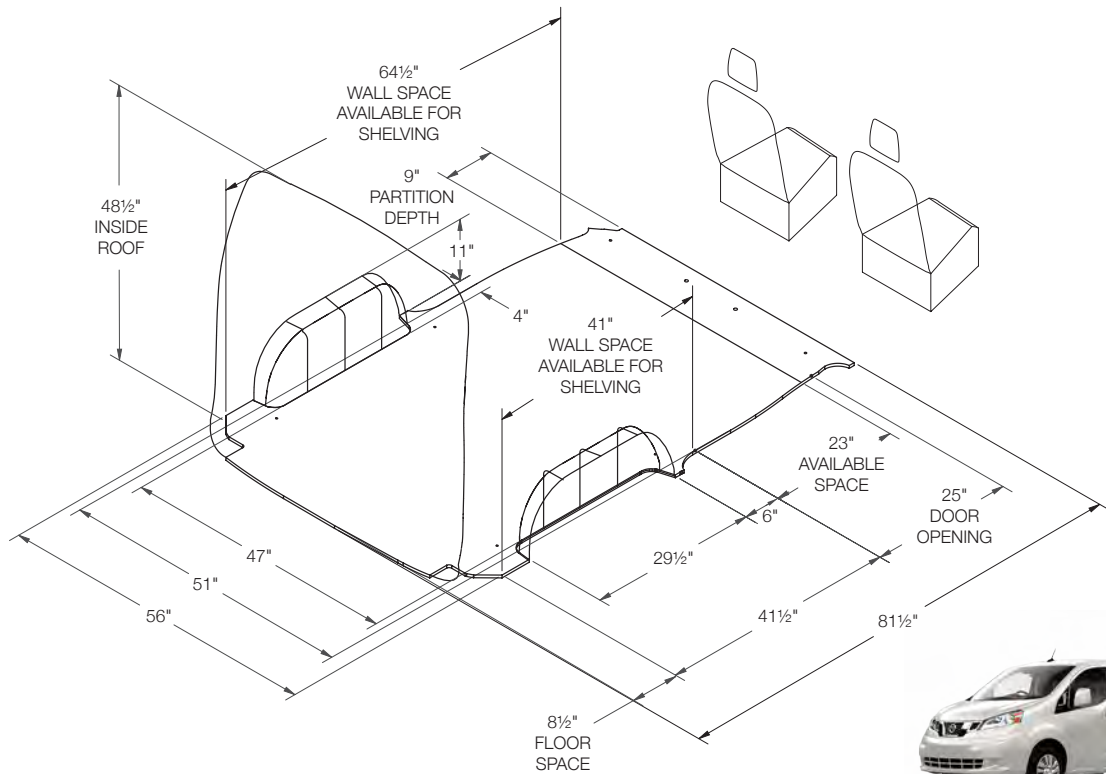
Extended 170" Wheelbase



## NISSAN NV

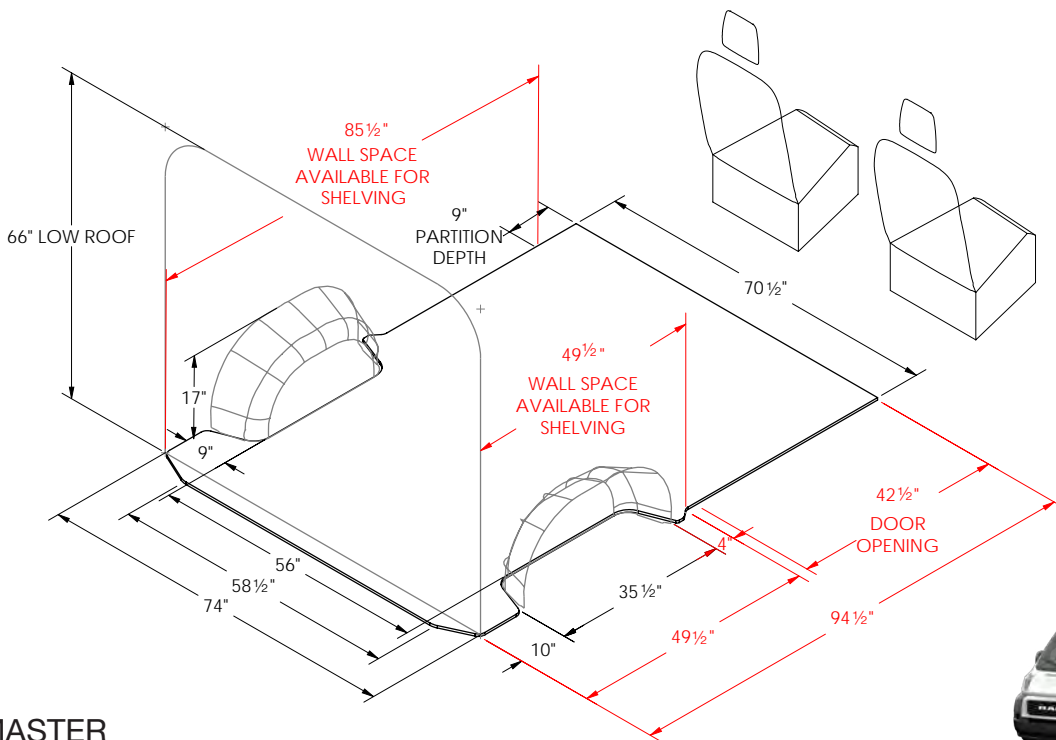
Standard 146" Wheelbase





**NISSAN**  
**NV200**

Regular 115" Wheelbase

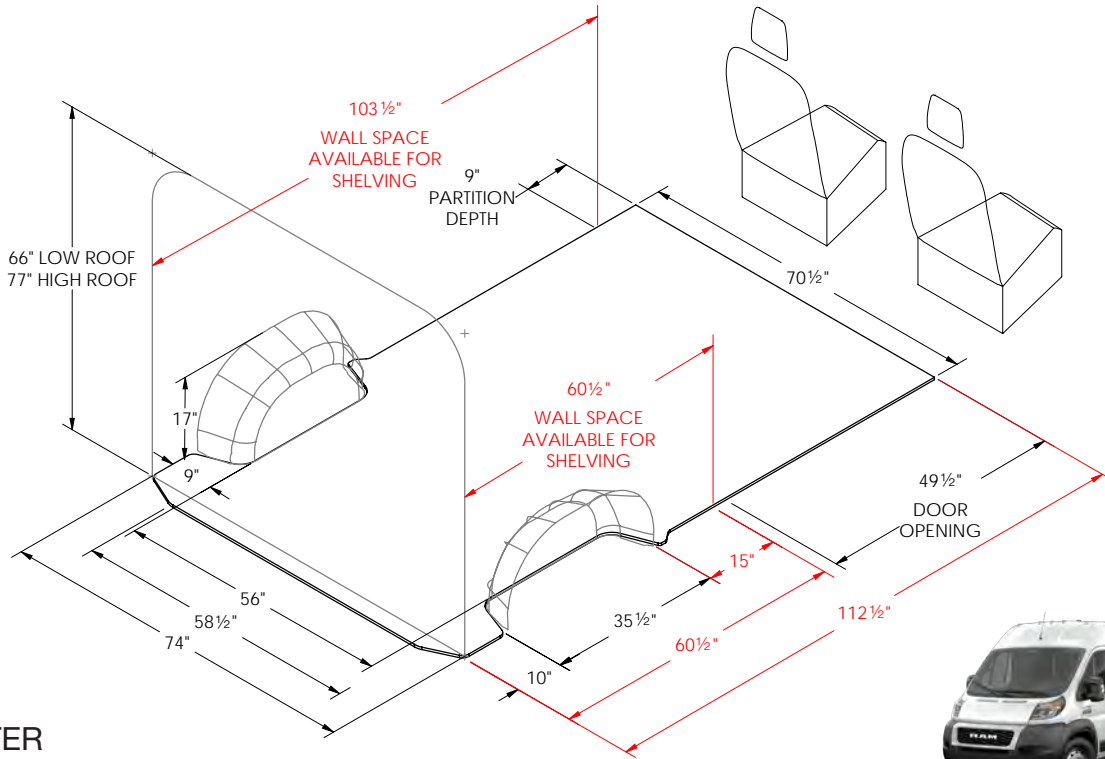


**RAM**  
**PROMASTER**

Short 118" Wheelbase

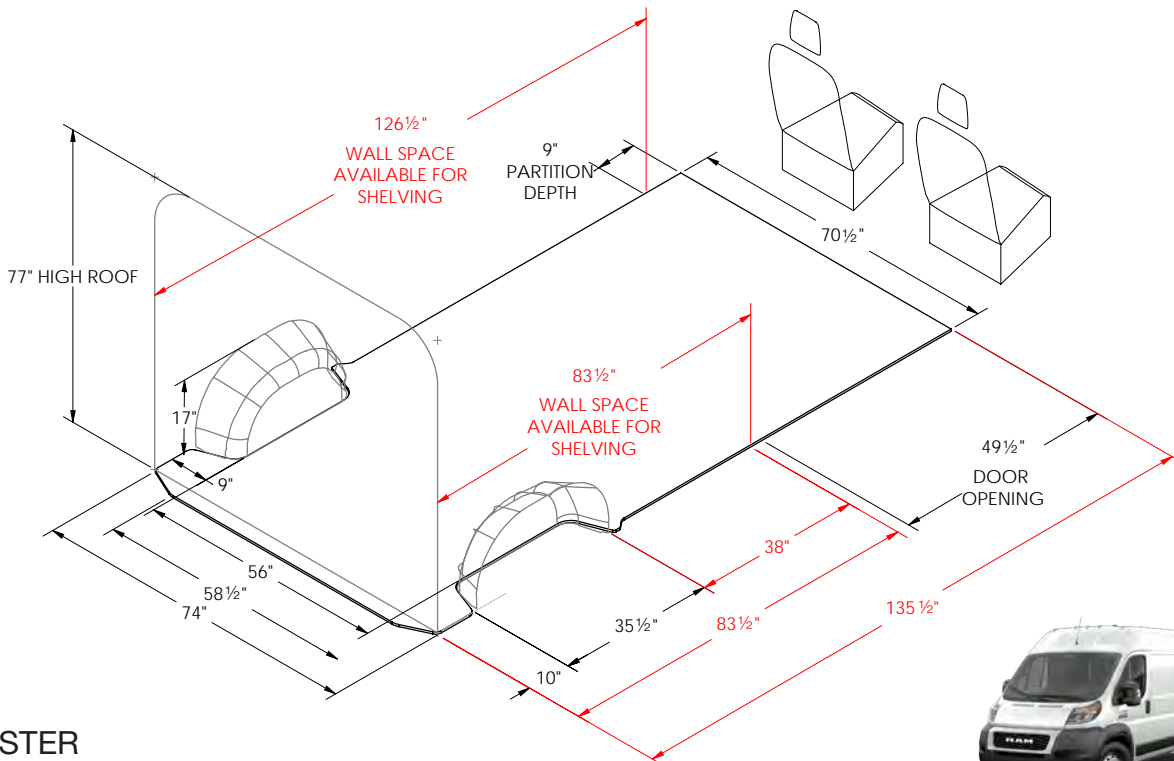


# LAYOUT GUIDES



## RAM PROMASTER

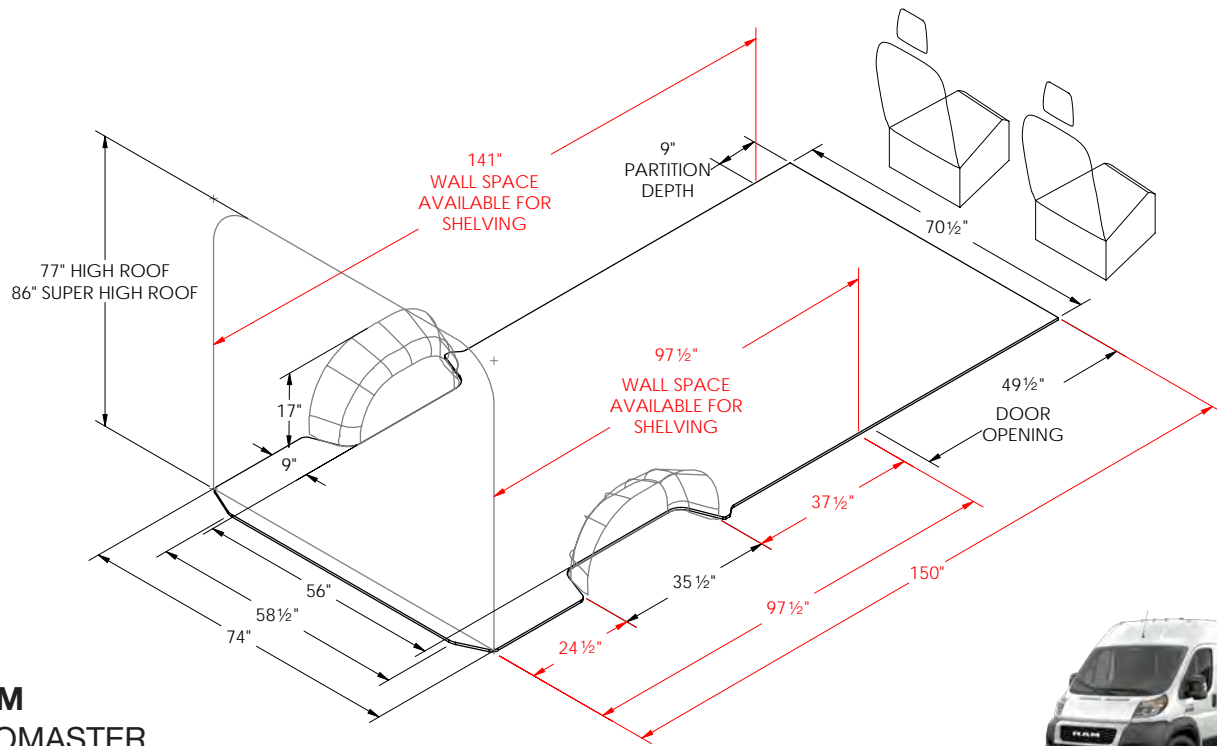
Medium 136" Wheelbase



## RAM PROMASTER

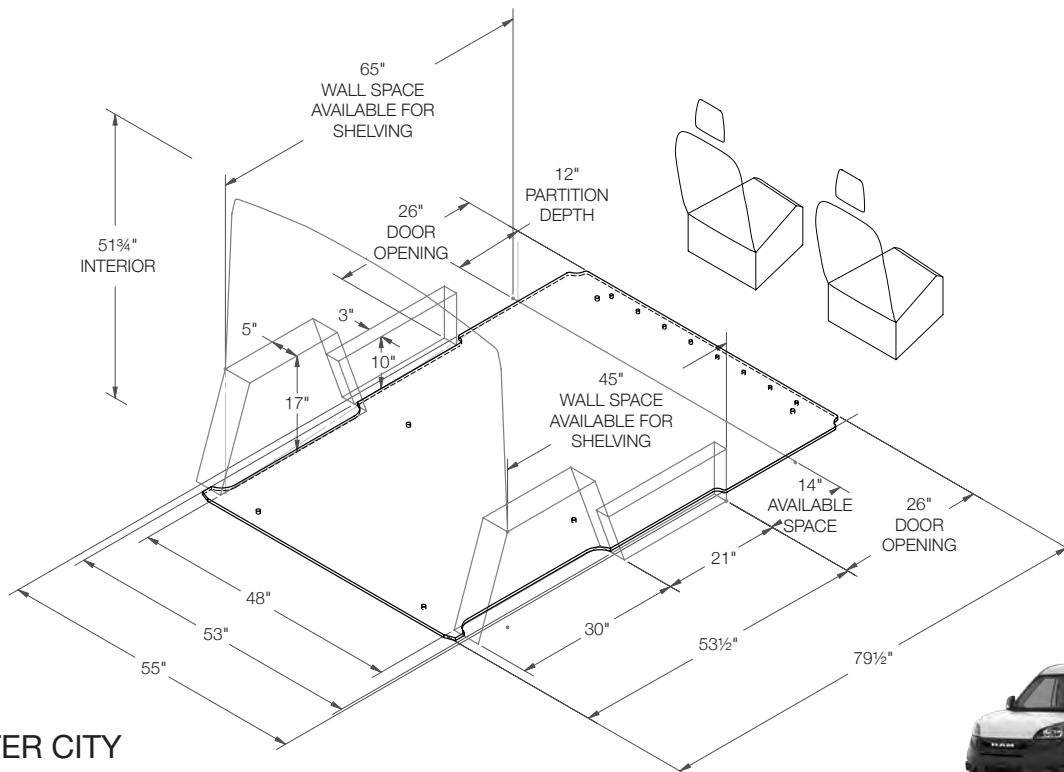
Long 159" Wheelbase





## RAM PROMASTER

Extended 159" Wheelbase



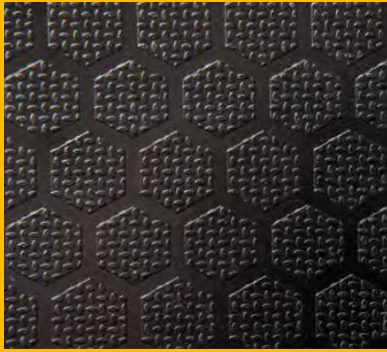
## RAM PROMASTER CITY

Standard 122" Wheelbase



## **VAN UPFIT PREP**

Preparing for the installation  
of your upfit made easier



### EFFICIENCY

Easy install that prevents damage to the factory floor.



### SAFETY

Extruded aluminum joints where floor pieces meet.



### QUICK INSTALL

Our install kits simplify your installation.

## VAN UPFIT PREP

### VAN FLOORS

|                                  |       |
|----------------------------------|-------|
| CHEVROLET EXPRESS . . . . .      | P. 24 |
| FORD TRANSIT . . . . .           | P. 27 |
| FORD TRANSIT CONNECT . . . . .   | P. 24 |
| GMC SAVANA . . . . .             | P. 25 |
| MERCEDES-BENZ SPRINTER . . . . . | P. 26 |
| RAM PROMASTER . . . . .          | P. 27 |

### INSTALL KITS

|                     |       |
|---------------------|-------|
| DRIVER . . . . .    | P. 28 |
| PASSENGER . . . . . | P. 29 |

### VAN FLOORS

- › Easy to install with integrated mounting tracks
- › Compatible with Ranger Design's shelving packages
- › Custom fit for almost all vans
- › Includes aluminum sills at the side and rear doors
- › No thermal expansion
- › Much safer due to load distribution
- › Quieter ride – reduces noise for the cargo area
- › 3 year warranty

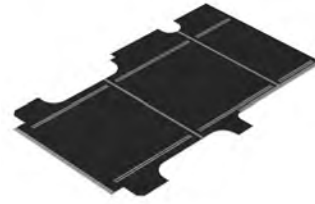
# VAN UPFIT PREP – FLOORS

VAN UPFIT PREP

**IT'S MORE THAN A FLOOR!**



**CHEVROLET EXPRESS**



**6540-GSR**

Chevrolet Express Floor

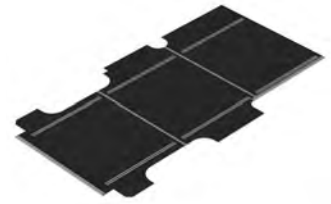
**Marine-Grade Plywood**

135"

74 lbs

1 hr

Yes



**6540-GSX**

Chevrolet Express Floor

**Marine-Grade Plywood**

155" Ext.

89 lbs

1 hr

Yes



**6540-FCS**

Ford Transit Connect Floor

**Marine-Grade Plywood**

105"

33 lbs

0.7 hr

Yes



**6540-FCL**

Ford Transit Connect Floor

**Marine-Grade Plywood**

120.5"

42 lbs

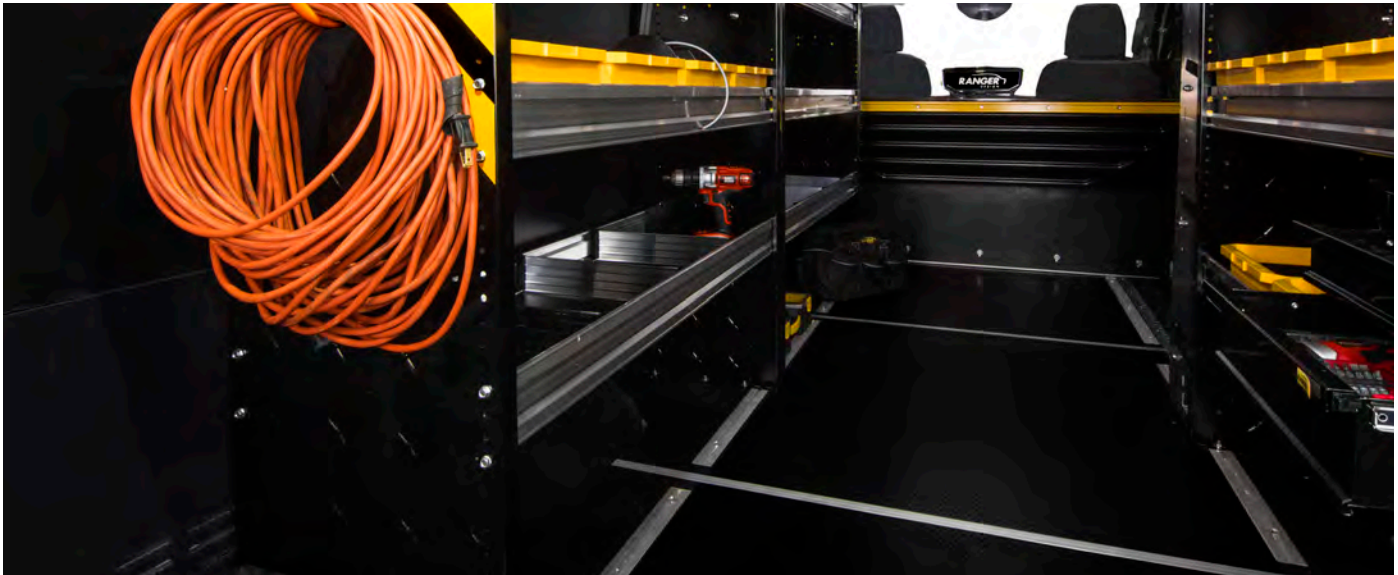
0.7 hr

Yes



**FORD TRANSIT CONNECT**

Impact and puncture resistant floors preserve the cargo van interior





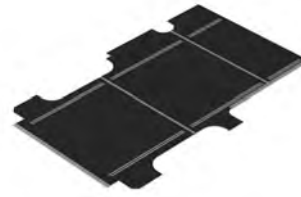
# VAN UPFIT PREP – FLOORS

VAN UPFIT PREP

Professional details – A clean, professional look that's easy to maintain.



**GMC**  
SAVANA



### 6540-GSR

GMC Savana Floor

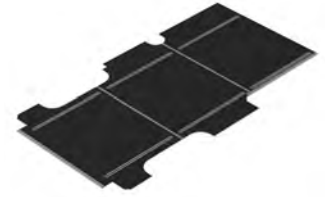
#### Marine-Grade Plywood

135"

74 lbs

1 hr

Yes



### 6540-GSX

GMC Savana Floor

#### Marine-Grade Plywood

155"

89 lbs

1 hr

Yes



### PROTECTION

Rigid floor covering protects cargo van floors from impact damage and scratches.

# THE PERFECT FLOOR FOR YOUR ELECTRIC VAN

Ranger Design's unique E-Floor is designed to offer the best fit for both electric and gas powered vehicles. Its revolutionary concept offers an easy install that avoids all the wiring that runs just below the surface of the vehicle's OEM floor. This option also ensures a great resale value for your van in the future, as it leaves no permanent damage. As sturdy and effective as a regular floor, it simply offers more benefits for your EV!



**MERCEDES-BENZ**  
SPRINTER



### 6541-DR

Mercedes-Benz  
Sprinter E-Floor

|                             |
|-----------------------------|
| <b>Marine-Grade Plywood</b> |
| 144"                        |
| 82 lbs                      |
| 1 hr                        |



### 6541-DL

Mercedes-Benz  
Sprinter E-Floor

|                             |
|-----------------------------|
| <b>Marine-Grade Plywood</b> |
| 170"                        |
| 111 lbs                     |
| 1 hr                        |



### 6541-DX

Mercedes-Benz  
Sprinter E-Floor

|                             |
|-----------------------------|
| <b>Marine-Grade Plywood</b> |
| 170" Ext.                   |
| 121 lbs                     |
| 1 hr                        |

# VAN UPFIT PREP – E-FLOORS



## FORD TRANSIT



### 6541-FTS

Ford Transit E-Floor

#### Marine-Grade Plywood

130"

70 lbs

1 hr

Yes



### 6541-FTL

Ford Transit E-Floor

#### Marine-Grade Plywood

148"

88 lbs

1 hr

Yes



### 6541-FTX

Ford Transit E-Floor

#### Marine-Grade Plywood

148" Ext.

109 lbs

1.3 hrs

Yes



## RAM PROMASTER



### 6541-PS

RAM ProMaster E-Floor

#### Marine-Grade Plywood

118"

71 lbs

1 hr

Yes



### 6541-PM

RAM ProMaster E-Floor

#### Marine-Grade Plywood

136"

83 lbs

1 hr

Yes



### 6541-PL

RAM ProMaster E-Floor

#### Marine-Grade Plywood

159"

100 lbs

1 hr

Yes



### 6541-PX

RAM ProMaster E-Floor

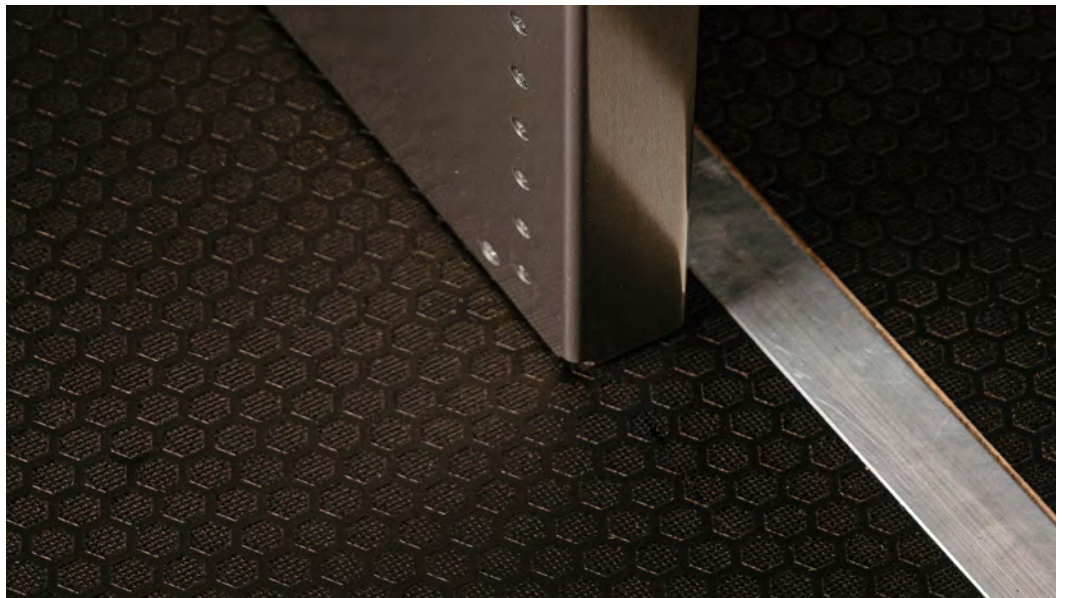
#### Marine-Grade Plywood

159" Ext.

112 lbs

1.3 hrs

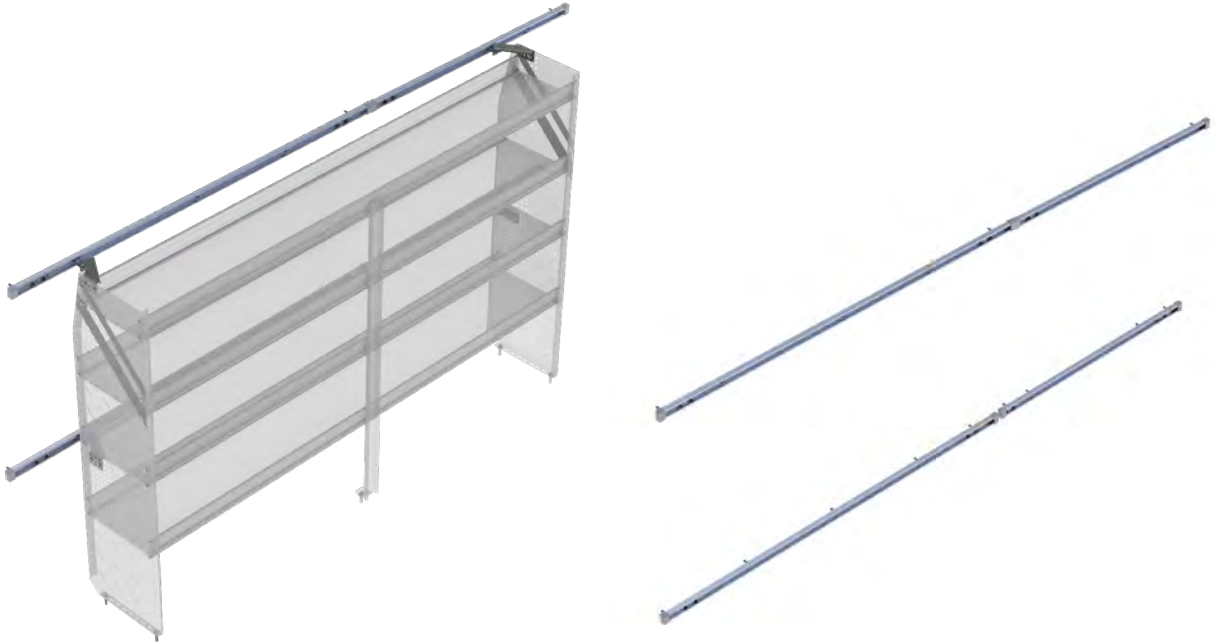
Yes



# VAN UPFIT PREP – INSTALL KITS

## INSTALL KITS

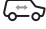



VAN UPFIT PREP



Install kits are optional and sold without the shelving unit

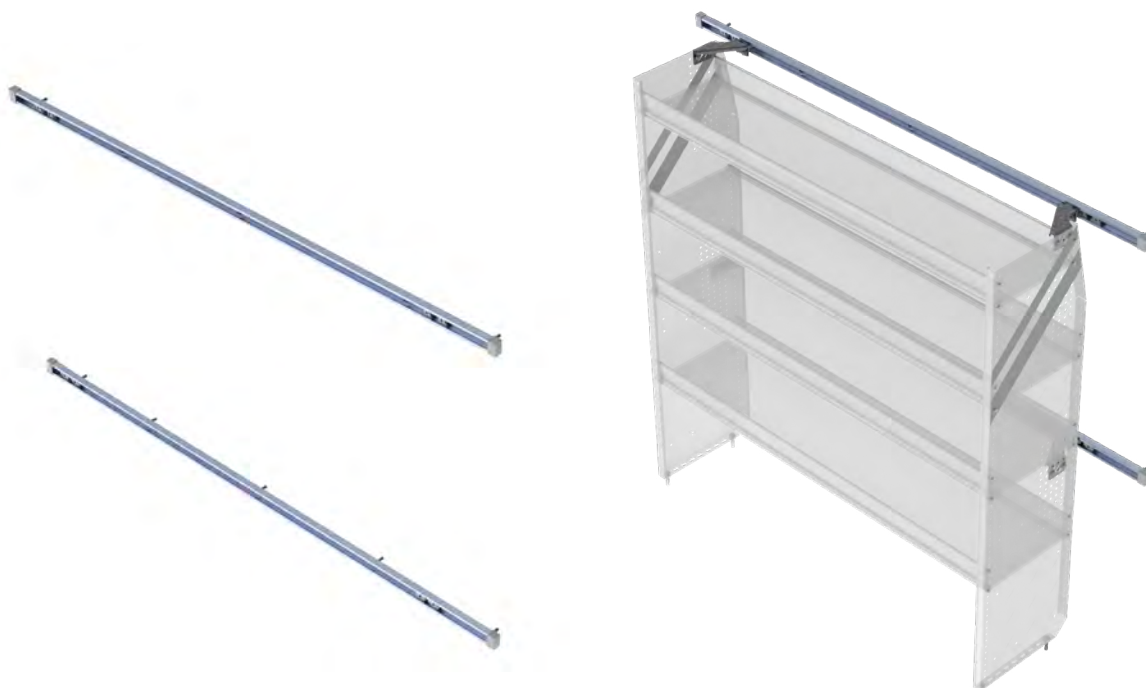
6550-FTL SHOWN HERE.

### Install Kit – Driver

| PART     | VEHICLE       |  | DESCRIPTION                       |  |  |  |
|----------|---------------|---|-----------------------------------|---|---|---|
| 6550-FTL | FORD TRANSIT  | 148"  | Shelving install kit, driver side | 13 lbs  | 0.3 hr  | Yes   |
| 6550-FTS | FORD TRANSIT  | 130"  | Shelving install kit, driver side | 12 lbs  | 0.3 hr  | Yes   |
| 6550-FTX | FORD TRANSIT  | 148" Ext  | Shelving install kit, driver side | 16 lbs  | 0.3 hr  | Yes   |
| 6550-PL  | RAM PROMASTER | 159"  | Install track kit, driver side    | 13 lbs  | 0.5 hr  | Yes   |
| 6550-PM  | RAM PROMASTER | 136"  | Install track kit, driver side    | 11 lbs  | 0.5 hr  | Yes   |
| 6550-PS  | RAM PROMASTER | 118"  | Install track kit, driver side    | 8.9 lbs   | 0.5 hr  | Yes   |
| 6550-PX  | RAM PROMASTER | 159" Ext  | Install track kit, driver side    | 14 lbs  | 0.5 hr  | Yes   |







# VAN UPFIT PREP – INSTALL KITS



6555-FTL SHOWN HERE.

Install kits are optional and sold without the shelving unit

| Install Kit – Passenger |               |   |                                      |  |  |   |
|-------------------------|---------------|---|--------------------------------------|--|--|---|
| PART                    | VEHICLE       |  Wheelbase | DESCRIPTION                          |  Weight |  Estimated Install Time |  Quickship |
| 6555-FTL                | FORD TRANSIT  | 148"  | Shelving install kit, passenger side | 7.7 lbs  | 0.4 hr   | Yes   |
| 6555-FTS                | FORD TRANSIT  | 130"  | Shelving install kit, passenger side | 6 lbs  | 0.4 hr   | Yes   |
| 6555-FTX                | FORD TRANSIT  | 148" Ext  | Shelving install kit, passenger side | 11 lbs   | 0.4 hr   | Yes   |
| 6555-PL                 | RAM PROMASTER | 159"  | Shelving install kit, passenger side | 7.5 lbs  | 0.3 hr   | Yes   |
| 6555-PM                 | RAM PROMASTER | 136"  | Shelving install kit, passenger side | 5.5 lbs  | 0.3 hr   | Yes   |
| 6555-PS                 | RAM PROMASTER | 118"  | Shelving install kit, passenger side | 4.5 lbs  | 0.3 hr   | Yes   |
| 6555-PX                 | RAM PROMASTER | 159" Ext  | Shelving install kit, passenger side | 8.6 lbs  | 0.3 hr   | Yes   |





## **VAN PARTITIONS**

Our safety partitions protect the most important asset: You!



**SAFE**

Designed for maximum impact resistance. Proven by impact testing.



**EFFICIENT**

- 1. Contoured to maintain seat travel and ensure driver comfort.
- 2. Contoured to capitalize on cargo area floor space.



**QUIET**

Thickness of material cancels vibrations.

# VAN PARTITIONS

**APPLICATION GUIDE** . . . . . P. 32

**CONTOURED**

- CLEARSHIELD . . . . . P. 35
- COMPOSITE PARTITION . . . . . P. 35
- COMPOSITE WITH WINDOW . . . . . P. 36
- CONTOURED FULL PARTITION . . . . . P. 41
- CONTOURED WITH WINDOW . . . . . P. 37
- CONTOURED WITH PERFORATED WINDOW . . . . . P. 39
- CONTOURED WIRE MESH . . . . . P. 43
- MAX VIEW . . . . . P. 34

**STRAIGHT**

- STRAIGHT MID POSITION . . . . . P. 48
- STRAIGHT WITH PERFORATED WINDOW, NO ACCESS . . . . . P. 44
- STRAIGHT WITH PERFORATED WINDOW, SWING DOOR . . . . . P. 46
- STRAIGHT WITH WINDOW, SLIDING DOOR . . . . . P. 47

**WALK THROUGH**

- STRAIGHT WALK THROUGH PARTITION . . . . . P. 49

**ACCESSORIES** . . . . . P. 49

Ranger Design safety partitions provide a solid and secure barrier between the occupants of the van and the cargo.

Built from heavy gauge steel, aluminum or thermoformed TPO and polycarbonate, these partitions are designed for maximum impact resistance and uphold a standard of safety set only by Ranger Design products.

Ranger Design partitions also provide a more comfortable environment for the driver by giving more seat travel and by not rattling as the vehicle drives down the road.



# Application Guide












| Type  | Material  | Chevrolet Express Standard Roof | Ford Transit Low Roof | Ford Transit Medium Roof | Ford Transit High Roof | Ford Transit Connect Standard Roof | GMC Savana Standard Roof |
|---|-----------|---------------------------------|-----------------------|--------------------------|------------------------|------------------------------------|--------------------------|
| Clearshield   | Composite | –                               | –                     | –                        | –                      | 3520-M<br>P. 35                    | –                        |
| Contoured composite safety partition                  | Composite | –                               | –                     | 3310-FTM<br>P. 36        | 3310-FTH<br>P. 36      | –                                  | –                        |
| Contoured composite safety partition with window      | Composite | –                               | –                     | 3320-FTM<br>P. 37        | 3320-FTH<br>P. 37      | –                                  | –                        |
| Contoured full safety partition                       | Aluminum  | 3010-GS<br>P. 42                | 3010-FTL<br>P. 41     | 3010-FTM<br>P. 41        | 3010-FTH<br>P. 41      | 3010-TC<br>P. 42                   | 3010-GS<br>P. 42         |
| Contoured full safety partition                       | Steel     | C12-H<br>P. 43                  | C12-FTL<br>P. 42      | –                        | –                      | C12-E<br>P. 42                     | C12-H<br>P. 43           |
| Contoured safety partition with perforated window     | Steel     | C10-H<br>P. 40                  | C10-FTL<br>P. 39      | –                        | –                      | C10-E<br>P. 39                     | C10-H<br>P. 40           |
| Contoured safety partition with window                | Aluminum  | 3020-GS<br>P. 38                | 3020-FTL<br>P. 38     | 3020-FTM<br>P. 38        | 3020-FTH<br>P. 38      | 3020-TC<br>P. 39                   | 3020-GS<br>P. 38         |
| Contoured wire mesh partition                         | Steel     | –                               | –                     | –                        | –                      | C13-E<br>P. 43                     | –                        |
| Max View contoured safety partition                   | Composite | –                               | 3320-FTL<br>P. 34     | –                        | –                      | 3320-TC<br>P. 35                   | –                        |
| Straight mid position safety partition                | Aluminum  | –                               | –                     | –                        | –                      | –                                  | –                        |
| Straight mid position safety partition with window    | Aluminum  | –                               | –                     | –                        | –                      | –                                  | –                        |
| Straight partition with perforated window, no access  | Steel     | C20-GS<br>P. 45                 | C20-FTL<br>P. 44      | C20-FTM<br>P. 45         | C20-FTH<br>P. 44       | –                                  | C20-GS<br>P. 45          |
| Straight partition with perforated window, swing door | Steel     | C30-GS<br>P. 47                 | C30-FTL<br>P. 46      | C30-FTM<br>P. 46         | C30-FTH<br>P. 46       | –                                  | C30-GS<br>P. 47          |
| Straight partition with window, sliding door          | Aluminum  | –                               | –                     | 3068-FTM<br>P. 48        | 3068-FTH<br>P. 48      | –                                  | –                        |
| Walk through straight partition                       | Steel     | C24-GS<br>P. 50                 | C24-FTL<br>P. 50      | C24-FTM<br>P. 50         | C24-FTH<br>P. 50       | –                                  | C24-GS<br>P. 50          |



# VAN PARTITIONS

VAN PARTITIONS

| <br>Mercedes-Benz<br>Metris<br>Standard Roof | <br>Mercedes-Benz<br>Sprinter<br>Low Roof | <br>Mercedes-Benz<br>Sprinter<br>High Roof | <br>Nissan<br>NV<br>Low Roof | <br>Nissan<br>NV<br>High Roof | <br>Nissan<br>NV200<br>Standard Roof | <br>Ram<br>ProMaster<br>Standard Roof | <br>Ram<br>ProMaster<br>High Roof | <br>Ram<br>ProMaster City<br>Standard Roof |
|---|--|---|---|--|--|--|--|---|
| 3520-M<br>P. 35   | -  | -   | -   | -  | -  | -  | -  | 3520-M<br>P. 35   |
| -   | 3310-DL<br>P. 35   | 3310-DH<br>P. 35  | -   | -  | -  | 3310-RP<br>P. 36   | 3310-RP<br>P. 36   | 3310-PC<br>P. 36  |
| -   | 3320-DL<br>P. 36   | 3320-DH<br>P. 36  | -   | -  | -  | 3320-RP<br>P. 37   | 3320-RP<br>P. 37   | -   |
| -   | 3010-DL<br>P. 41   | 3010-DH<br>P. 41  | -   | -  | -  | 3010-RP<br>P. 42   | 3010-RP<br>P. 42   | 3010-PC<br>P. 42  |
| -   | -  | -   | -   | -  | -  | -  | -  | C12-PC<br>P. 43   |
| C10-MM<br>P. 40   | -  | -   | -   | -  | C10-W<br>P. 40   | -  | -  | C10-PC<br>P. 40   |
| -   | 3020-DL<br>P. 37   | 3020-DH<br>P. 37  | -   | -  | -  | 3020-RP<br>P. 38   | 3020-RP<br>P. 38   | 3020-PC<br>P. 38  |
| C13-MM<br>P. 43   | -  | -   | -   | -  | -  | -  | -  | C13-PC<br>P. 43   |
| 3320-MM<br>P. 34  | -  | -   | -   | -  | -  | -  | -  | -   |
| -   | -  | 3015-DH<br>P. 48  | -   | -  | -  | -  | -  | -   |
| -   | -  | 3025-DH<br>P. 48  | -   | -  | -  | -  | -  | -   |
| -   | C20-DL<br>P. 44  | C20-DH<br>P. 44   | C20-NL<br>P. 45   | C20-NH<br>P. 45  | -  | C20-X<br>P. 45   | C20-X<br>P. 45   | -   |
| -   | C30-DL<br>P. 46  | C30-DH<br>P. 46   | -   | -  | -  | C30-X<br>P. 47   | C30-X<br>P. 47   | -   |
| -   | 3068-DL<br>P. 47   | 3068-DH<br>P. 47  | -   | -  | -  | 3068-RP<br>P. 48   | 3068-RP<br>P. 48   | -   |
| -   | C24-DL<br>P. 49  | C24-DH<br>P. 49   | -   | -  | -  | C24-X<br>P. 50   | C24-X<br>P. 50   | -   |

# VAN PARTITIONS – CONTOURED

## CONTOURED

## CONTOURED MAX VIEW



### 3320-FTL

Ford Transit  
Max View contoured safety partition

#### Composite

Low Roof

50 lbs

1.5 hr

Yes

8"



### 3320-MM

Mercedes-Benz Metris  
Max View contoured safety partition

#### Composite

Standard Roof

48 lbs

1.2 hrs

Yes

9"



### 3320-PC

Ram ProMaster City  
Max view contoured safety partition

#### Composite

Standard Roof

42 lbs

1 hr

Yes

7.1"





## 3520-M

All Standard Minivans  
ClearView germ barrier partition for minivans

### Composite

|  |                   |
|--|-------------------|
|  | Standard Minivans |
|  | 10 lbs            |
|  | 0.25 hr           |
|  | No                |
|  | —                 |

## CONTOURED COMPOSITE



## 3310-DH

Mercedes-Benz Sprinter  
Composite contoured safety partition

### Composite

|  |           |
|--|-----------|
|  | High Roof |
|  | 70 lbs    |
|  | 1 hr      |
|  | Yes       |
|  | 9"        |



## 3310-DL

Mercedes-Benz Sprinter  
Composite contoured safety partition

### Composite

|  |          |
|--|----------|
|  | Low Roof |
|  | 65 lbs   |
|  | 1 hr     |
|  | Yes      |
|  | 9"       |



## 3310-GS

Chevrolet Express, GMC Savana  
Composite contoured safety partition

### Composite

|  |          |
|--|----------|
|  | Standard |
|  | 47 lbs   |
|  | 0.80 hr  |
|  | Yes      |
|  | 9"       |



## 3310-FTH

Ford Transit  
Composite contoured safety partition

### Composite

|  |           |
|--|-----------|
|  | High Roof |
|  | 66 lbs    |
|  | 1 hr      |
|  | Yes       |
|  | 9"        |

# VAN PARTITIONS – CONTOURED



## 3310-FTM

Ford Transit  
Composite contoured safety partition

### Composite

Medium Roof

63 lbs

1 hr

Yes

9"



## 3310-PC

Ram ProMaster City  
Contoured safety partition

### Composite

Standard Roof

44 lbs

1 hr

No

7.1"



## 3310-RP

Ram ProMaster  
Composite contoured safety partition

### Composite

Standard/High Roof

64 lbs

1 hr

Yes

9"



## 3320-DH

Mercedes-Benz Sprinter  
Composite contoured safety partition with window

### Composite

High Roof

71 lbs

1 hr

No

9"



## 3320-DL

Mercedes-Benz Sprinter  
Composite contoured safety partition with window

### Composite

Low Roof

67 lbs

1 hr

No

9"



## 3320-GS

Chevrolet Express, GMC Savana  
Composite contoured safety partition with window

### Composite

Standard

48 lbs

0.80 hr

Yes

9"



### 3320-FTH

Ford Transit

Composite contoured safety partition with window

#### Composite

High Roof

68 lbs

1 hr

No

9"



### 3320-FTM

Ford Transit

Composite contoured safety partition with window

#### Composite

Medium Roof

65 lbs

1 hr

No

9"



### 3320-RP

RAM ProMaster

Composite contoured safety partition with window

#### Composite

Standard/High Roof

68 lbs

1 hr

No

9"

## CONTOURED WITH WINDOW



### 3020-DH

Mercedes-Benz Sprinter

Contoured safety partition with window

#### Aluminum

High Roof

66 lbs

1.2 hrs

No

5.5"



### 3020-DL

Mercedes-Benz Sprinter

Contoured safety partition with window

#### Aluminum

Low Roof

64 lbs

1.2 hrs

No

5.5"

# VAN PARTITIONS – CONTOURED



## 3020-FTH

Ford Transit  
Contoured safety partition with window

### Aluminum

|  |           |
|--|-----------|
|  | High Roof |
|  | 66 lbs    |
|  | 1 hr      |
|  | Yes       |
|  | 8.32"     |



## 3020-FTL

Ford Transit  
Contoured safety partition with window

### Aluminum

|  |          |
|--|----------|
|  | Low Roof |
|  | 48 lbs   |
|  | 1 hr     |
|  | Yes      |
|  | 7.16"    |



## 3020-FTM

Ford Transit  
Contoured safety partition with window

### Aluminum

|  |             |
|--|-------------|
|  | Medium Roof |
|  | 52 lbs      |
|  | 1 hr        |
|  | Yes         |
|  | 8.32"       |



## 3020-GS

Chevrolet Express, GMC Savana  
Contoured safety partition with window

### Aluminum

|  |               |
|--|---------------|
|  | Standard Roof |
|  | 49 lbs        |
|  | 1 hr          |
|  | No            |
|  | 5.56"         |



## 3020-PC

Ram ProMaster City  
Contoured safety partition with window

### Aluminum

|  |               |
|--|---------------|
|  | Standard Roof |
|  | 41 lbs        |
|  | 1 hr          |
|  | Yes           |
|  | 8.1"          |

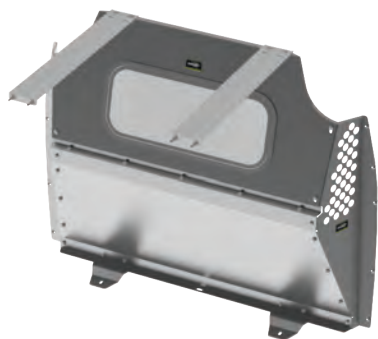


## 3020-RP

Ram ProMaster  
Contoured safety partition with window

### Aluminum

|  |                      |
|--|----------------------|
|  | Standard / High Roof |
|  | 59 lbs               |
|  | 1 hr                 |
|  | Yes                  |
|  | 6.07"                |



**3020-TC**

Ford Transit Connect  
Contoured safety partition with window

**Aluminum**

Standard Roof

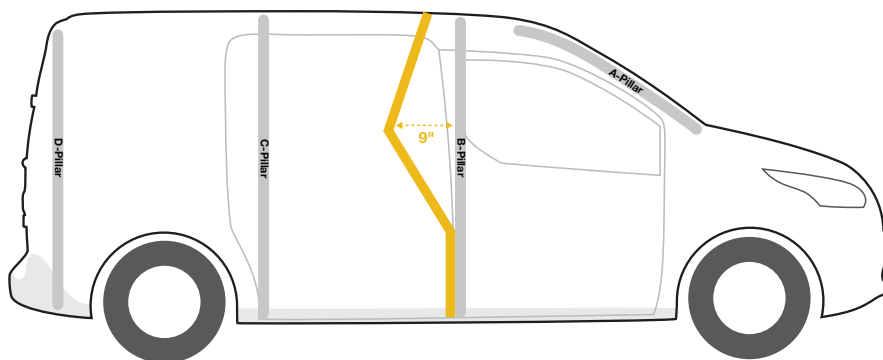
42 lbs

1 hr

Yes

10.75"

**SETBACK FROM  
B PILLAR**



**CONTOURED  
WITH  
PERFORATED  
WINDOW**



**C10-E**

Ford Transit Connect  
Contoured safety partition  
with perforated window

**Steel**

Standard Roof

53 lbs

1 hr

Yes

10.5"



**C10-FTL**

Ford Transit  
Contoured safety partition  
with perforated window

**Steel**

Low Roof

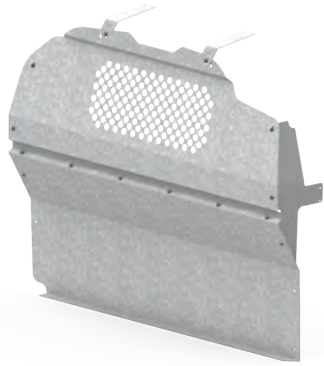
66 lbs

1 hr

Yes

7.11"

# VAN PARTITIONS – CONTOURED



## C10-H

Chevrolet Express, GMC Savana  
Contoured safety partition  
with perforated window

### Steel

|  |               |
|--|---------------|
|  | Standard Roof |
|  | 58 lbs        |
|  | 1 hr          |
|  | Yes           |
|  | 5.56"         |



## C10-MM

Mercedes-Benz Metris  
Contoured safety partition  
with perforated window

### Steel

|  |               |
|--|---------------|
|  | Standard Roof |
|  | 62 lbs        |
|  | 1 hr          |
|  | Yes           |
|  | 11"           |



## C10-PC

Ram ProMaster City  
Contoured safety partition  
with perforated window

### Steel

|  |               |
|--|---------------|
|  | Standard Roof |
|  | 63.3 lbs      |
|  | 1 hr          |
|  | Yes           |
|  | 8.05"         |



## C10-W

Nissan NV200  
Contoured safety partition  
with perforated window

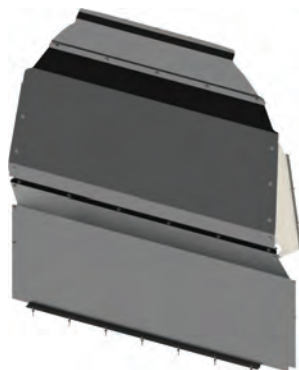
### Steel

|  |               |
|--|---------------|
|  | Standard Roof |
|  | 42 lbs        |
|  | 1 hr          |
|  | Yes           |
|  | 3.5"          |





## CONTOURED FULL PARTITION



### 3010-DH

Mercedes-Benz Sprinter  
Contoured safety partition

#### Aluminum

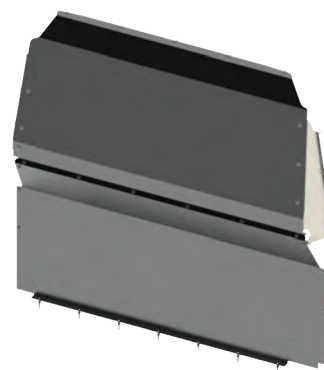
High Roof

59 lbs

1.2 hrs

Yes

5.5"



### 3010-DL

Mercedes-Benz Sprinter  
Contoured safety partition

#### Aluminum

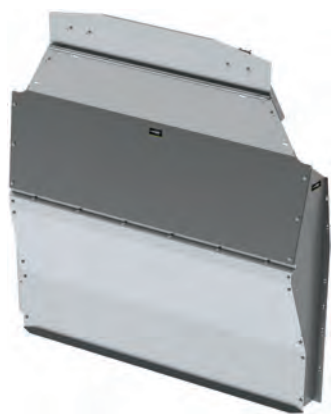
Low Roof

57 lbs

1.2 hrs

No

5.5"



### 3010-FTH

Ford Transit  
Contoured safety partition

#### Aluminum

High Roof

57 lbs

1 hr

Yes

8.32"



### 3010-FTL

Ford Transit  
Contoured safety partition

#### Aluminum

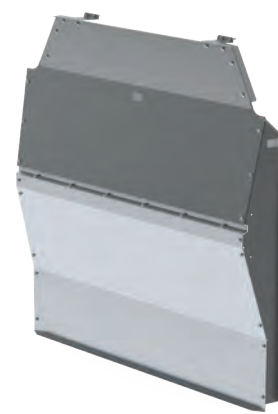
Low Roof

46 lbs

1 hr

Yes

7.16"



### 3010-FTM

Ford Transit  
Contoured safety partition

#### Aluminum

Medium Roof

52 lbs

1 hr

Yes

8.32"

# VAN PARTITIONS – CONTOURED

VAN PARTITIONS



## 3010-GS

Chevrolet Express, GMC Savana  
Contoured safety partition

### Aluminum

Standard Roof

47 lbs

1 hr

Yes

5.56"



## 3010-PC

Ram ProMaster City  
Contoured safety partition

### Aluminum

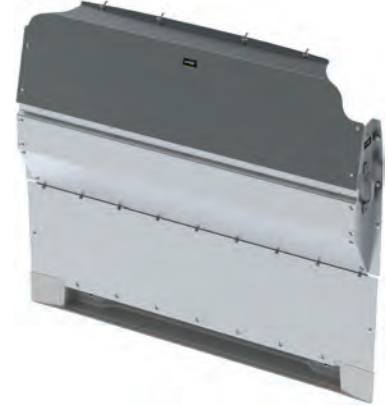
Standard Roof

39 lbs

1 hr

Yes

8.1"



## 3010-RP

Ram ProMaster  
Contoured safety partition

### Aluminum

Standard / High Roof

62.8 lbs

1 hr

Yes

6.07"



## 3010-TC

Ford Transit Connect  
Contoured safety partition

### Aluminum

Standard Roof

39.75 lbs

1 hr

Yes

10.75"



## C12-E

Ford Transit Connect  
Contoured safety partition

### Steel

Standard Roof

55 lbs

1 hr

Yes

10.5"



## C12-FTL

Ford Transit  
Contoured safety partition

### Steel

Low Roof

64 lbs

1 hr

Yes

7.11"



## C12-H

Chevrolet Express, GMC Savana  
Contoured safety partition

### Steel

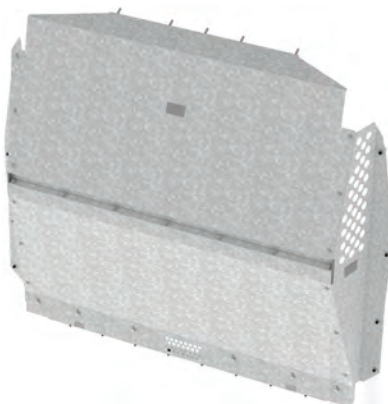
Standard Roof

53 lbs

1 hr

No

5.56"



## C12-PC

Ram ProMaster City  
Contoured safety partition

### Steel

Standard Roof

86 lbs

1 hr

Yes

8.05"

## CONTOURED WIRE MESH



## C13-E

Ford Transit Connect  
Contoured wire mesh partition

### Steel

Standard Roof

37 lbs

0.7 hr

Yes

10.5"



## C13-MM

Mercedes-Benz Metris  
Contoured wire mesh partition

### Steel

Standard Roof

37 lbs

1.2 hrs

Yes

11"



## C13-PC

Ram ProMaster City  
Contoured wire mesh partition

### Steel

Standard Roof

72 lbs

1 hr

Yes

8.33"

# VAN PARTITIONS – CONTOURED



## STRAIGHT WITH PERFORATED WINDOW — NO ACCESS



### C20-DH

Mercedes-Benz Sprinter

Straight partition with perforated window, no access

#### Steel

High Roof

89 lbs

1 hr

Yes

7.5"



### C20-DL

Mercedes-Benz Sprinter

Straight partition with perforated window, no access

#### Steel

Low Roof

80 lbs

1 hr

Yes

7.5"



### C20-FTH

Ford Transit

Straight partition with perforated window, no access

#### Steel

High Roof

92.1 lbs

1 hr

Yes

4.76"



### C20-FTL

Ford Transit

Straight partition with perforated window, no access

#### Steel

Low Roof

64 lbs

1 hr

Yes

4.25"

# VAN PARTITIONS – CONTOURED



## C20-FTM

Ford Transit

Straight partition with perforated window, no access

### Steel

Medium Roof

77 lbs

1 hr

Yes

4.76"



## C20-GS

Chevrolet Express, GMC Savana

Straight partition with perforated window, no access

### Steel

Standard Roof

61 lbs

1.5 hr

Yes

6.75"



## C20-NH

Nissan NV

Straight partition with perforated window, no access

### Steel

High Roof

80 lbs

1.5 hrs

Yes

5.5"



## C20-NL

Nissan NV

Straight partition with perforated window, no access

### Steel

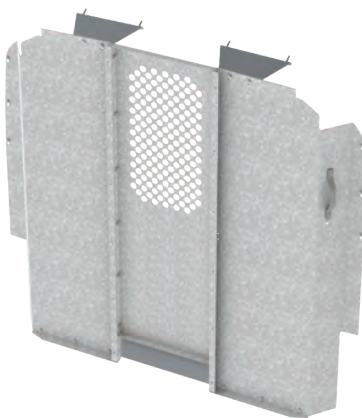
Low Roof

58 lbs

1 hr

Yes

5.5"



## C20-X

Ram ProMaster

Straight partition with perforated window, no access

### Steel

Standard / High Roof

78 lbs

1 hr

Yes

6.24"



# VAN PARTITIONS – STRAIGHT

## STRAIGHT WITH PERFORATED WINDOW — SWING DOOR



### C30-DH

Mercedes-Benz Sprinter  
Straight partition with perforated window, swing door

#### Steel

High Roof

92 lbs

1 hr

No

8"



### C30-DL

Mercedes-Benz Sprinter  
Straight partition with perforated window, swing door

#### Steel

Low Roof

83 lbs

1 hr

No

8"



### C30-FTH

Ford Transit  
Straight partition with perforated window, swing door

#### Steel

High Roof

86 lbs

1.5 hrs

Yes

4.96"



### C30-FTL

Ford Transit  
Straight partition with perforated window, swing door

#### Steel

Low Roof

68 lbs

1.5 hrs

Yes

4.61"



### C30-FTM

Ford Transit  
Straight partition with perforated window, swing door

#### Steel

Medium Roof

79 lbs

1.5 hrs

Yes

4.96"



## C30-GS

Chevrolet Express, GMC Savana  
Straight partition with perforated window, swing door

### Steel

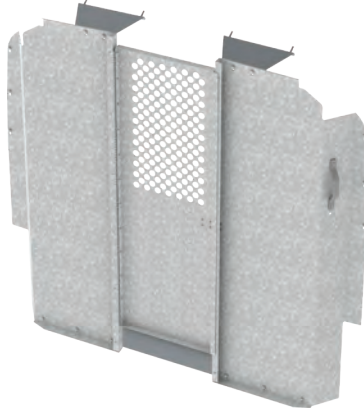
Standard Roof

63.2 lbs

1 hr

Yes

6.75"



## C30-X

Ram ProMaster  
Straight partition with perforated window, swing door

### Steel

Standard / High Roof

80 lbs

1 hr

Yes

6.24"



## STRAIGHT WITH WINDOW — SLIDING DOOR



## 3068-DH

Mercedes-Benz Sprinter  
Straight partition with window, sliding door

### Aluminum

High Roof

97.9 lbs

1.5 hrs

Yes

8"



## 3068-DL

Mercedes-Benz Sprinter  
Straight partition with window, sliding door

### Aluminum

Low Roof

84 lbs

1.5 hrs

Yes

7.25"

# VAN PARTITIONS – STRAIGHT

VAN PARTITIONS



## 3068-FTH

Ford Transit

Straight partition with window, sliding door

### Aluminum

High Roof

77 lbs

1.5 hrs

Yes

6.29"



## 3068-FTM

Ford Transit

Straight partition with window, sliding door

### Aluminum

Medium Roof

75 lbs

1.5 hrs

Yes

6.29"



## 3068-RP

Ram ProMaster

Straight partition with window, sliding door

### Aluminum

Standard / High Roof

76 lbs

1.5 hrs

Yes

6.26"

## STRAIGHT MID POSITION



## 3015-DH

Mercedes-Benz Sprinter

Mid position straight safety partition

### Aluminum

High Roof

59 lbs

1.2 hrs

No

2.5"



## 3025-DH

Mercedes-Benz Sprinter

Mid position straight safety partition with window

### Aluminum

High Roof

66 lbs

1.2 hrs

No

2.5"



## ACCESSORIES

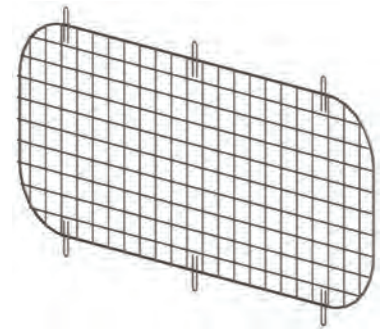


### 3024

Universal  
Partition window with frame  
for 3010

#### Aluminum

|           |
|-----------|
| Universal |
| 5 lbs     |
| 0.2 hr    |
| No        |



### 3044

Universal  
Grill for partition window  
for 3020, 3025, 3068

#### Steel

|           |
|-----------|
| Universal |
| 2 lbs     |
| 0.5 hr    |
| No        |

## WALK THROUGH



### C24-DH

Mercedes-Benz Sprinter  
Straight walk through partition

#### Steel

|           |
|-----------|
| High Roof |
| 66 lbs    |
| 1 hr      |
| No        |
| 7.5"      |



### C24-DL

Mercedes-Benz Sprinter  
Straight walk through partition

#### Steel

|          |
|----------|
| Low Roof |
| 61 lbs   |
| 1 hr     |
| No       |
| 7.5"     |

# VAN PARTITIONS – STRAIGHT



## C24-FTH

Ford Transit  
Straight walk through partition

### Steel

- High Roof
- 65 lbs
- 1.2 hrs
- Yes
- 4.76"



## C24-FTL

Ford Transit  
Straight walk through partition

### Steel

- Low Roof
- 48 lbs
- 1.2 hrs
- Yes
- 4"



## C24-FTM

Ford Transit  
Straight walk through partition

### Steel

- Medium Roof
- 58 lbs
- 1.2 hrs
- Yes
- 4.76"



## C24-GS

Chevrolet Express, GMC Savana  
Straight walk through partition

### Steel

- Standard Roof
- 46.5 lbs
- 1 hr
- Yes
- 6.75"



## C24-X

Ram ProMaster  
Straight walk through partition

### Steel

- Standard / High Roof
- 70 lbs
- 1 hr
- Yes
- 6.24"



# VAN PARTITIONS – STRAIGHT





## **TRADE PACKAGES**

Pre-engineered packages  
for a broad range of trades.



**CHOICE**

A range of steel and aluminum packages are available for each vehicle.



**TRADE SPECIFIC**

Packages are created with the specific trades in mind. Optimized for maximum productivity.



**PERFECT FIT**

Engineered to optimize space. Layout designed to ensure that all tools are well within reach.

# TRADE PACKAGES

**BOX TRUCK, STEP VAN & TRAILER** . . . . . P. 54

**CHEVROLET**

EXPRESS . . . . . P. 61

**FORD**

TRANSIT . . . . . P. 68

TRANSIT CONNECT . . . . . P. 82

**GMC**

SAVANA . . . . . P. 89

**MERCEDES-BENZ**

METRIS . . . . . P. 96

SPRINTER . . . . . P. 103

**RAM**

PROMASTER . . . . . P. 114

PROMASTER CITY . . . . . P. 121

Get more out of your work van: Ranger Design packages are designed specifically with your trade in mind. Our aim is to ensure that your most frequently used tools and equipment are well within reach.

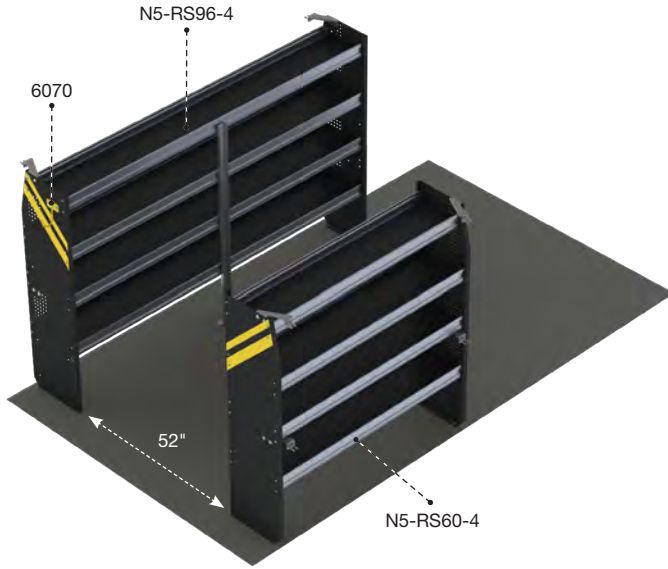
Do you see a way that we can improve our packages? We appreciate your feedback! Contact our customer service team at **1-800-565-5321**.






## BOX TRUCK STEP VAN & TRAILER



PACKAGES

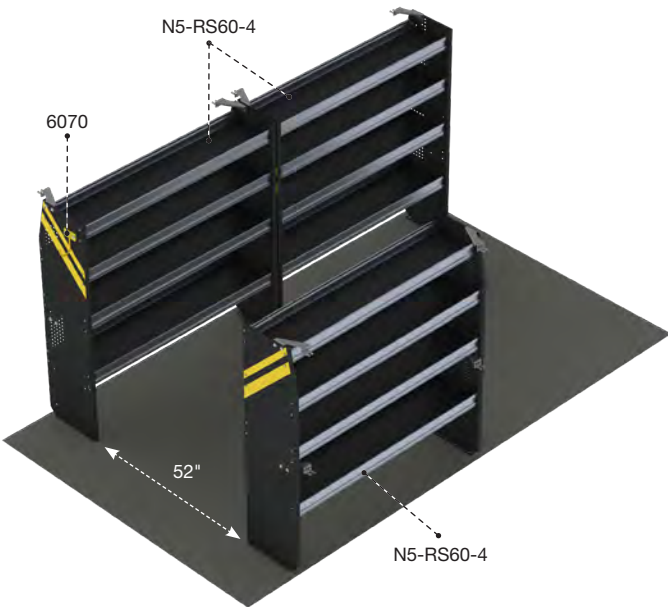


### BTS-10 CONTRACTOR

|   |   |   |
|---|---|---|
|  Steel   |  Short 10+ |  High Roof |
|  211 lbs |  2.8 hrs   |  Yes       |

| Qty | Part      | Description                                |
|-----|-----------|--|
| 1   | 6070      | 6" Hook, 3" opening, painted               |
| 1   | N5-RS60-4 | Steel shelving unit, 14" D x 60" W x 62" H |
| 1   | N5-RS96-4 | Steel shelving unit, 14" D x 96" W x 62" H |

Aisle space calculated for this package is based on an 84" wide box.



### BTL-10 CONTRACTOR

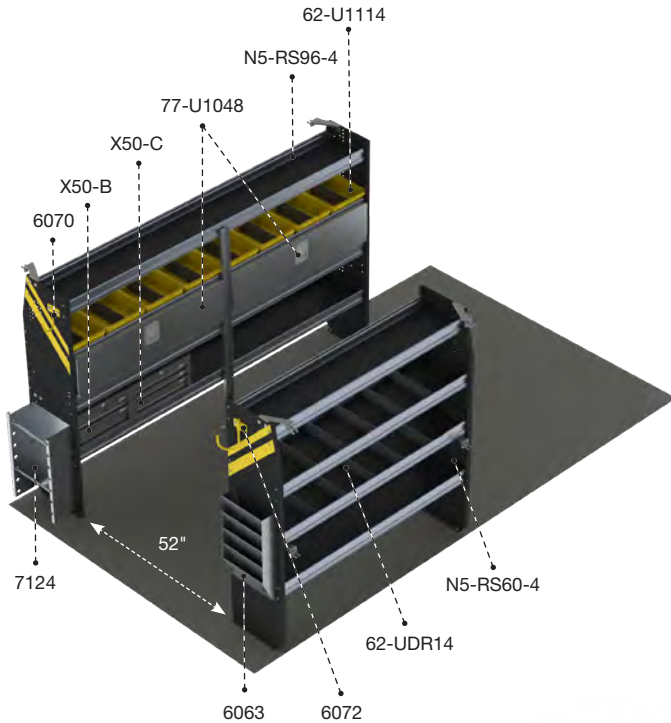
|   |  |   |
|---|--|---|
|  Steel   |  Long 14+ |  High Roof |
|  266 lbs |  3.8 hrs  |  Yes       |

| Qty | Part      | Description                                |
|-----|-----------|--|
| 1   | 6070      | 6" Hook, 3" opening, painted               |
| 3   | N5-RS60-4 | Steel shelving unit, 14" D x 60" W x 62" H |

Aisle space calculated for this package is based on an 84" wide box.



**BOX TRUCK STEP VAN & TRAILER**



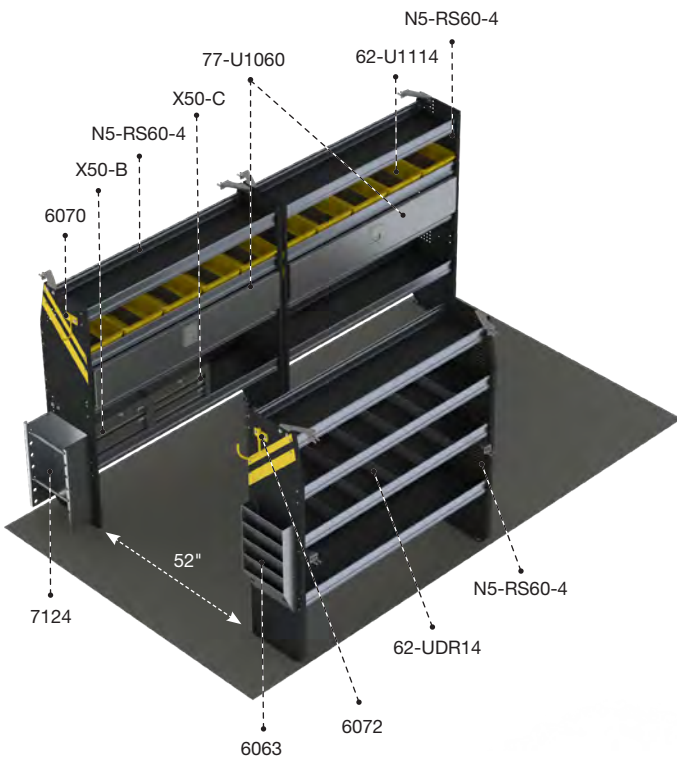
**BTS-11**  
ELECTRICAL

|  |         |  |           |  |           |
|--|---------|--|-----------|--|-----------|
|  | Steel   |  | Short 10+ |  | High Roof |
|  | 324 lbs |  | 5.3 hrs   |  | Yes       |

| Qty | Part      | Description   |
|-----|-----------|---|
| 1   | 6063      | Paper holder, extra deep, 5 slots                             |
| 1   | 6070      | 6" Hook, 3" opening, painted                                  |
| 1   | 6072      | 8" Swivel hook, 4" opening, painted                           |
| 8   | 62-U1114  | 14" Deep plastic bin  |
| 2   | 62-UDR14  | Set of 5 dividers for a 14" shelf                             |
| 1   | 7124      | Reel holder with two 5/8" diameter rods                       |
| 2   | 77-U1048  | Adjustable shelving door unit - 45" W - for 48" & 96" shelves |
| 1   | N5-RS60-4 | Steel shelving unit, 14" D x 60" W x 62" H                    |
| 1   | N5-RS96-4 | Steel shelving unit, 14" D x 96" W x 62" H                    |
| 1   | X50-B     | Compact 2-drawer unit   |
| 1   | X50-C     | Compact 3-drawer unit   |

Aisle space calculated for this package is based on an 84" wide box.

PACKAGES



**BTL-11**  
ELECTRICAL

|  |         |  |          |  |           |
|--|---------|--|----------|--|-----------|
|  | Steel   |  | Long 14+ |  | High Roof |
|  | 386 lbs |  | 6.3 hrs  |  | Yes       |

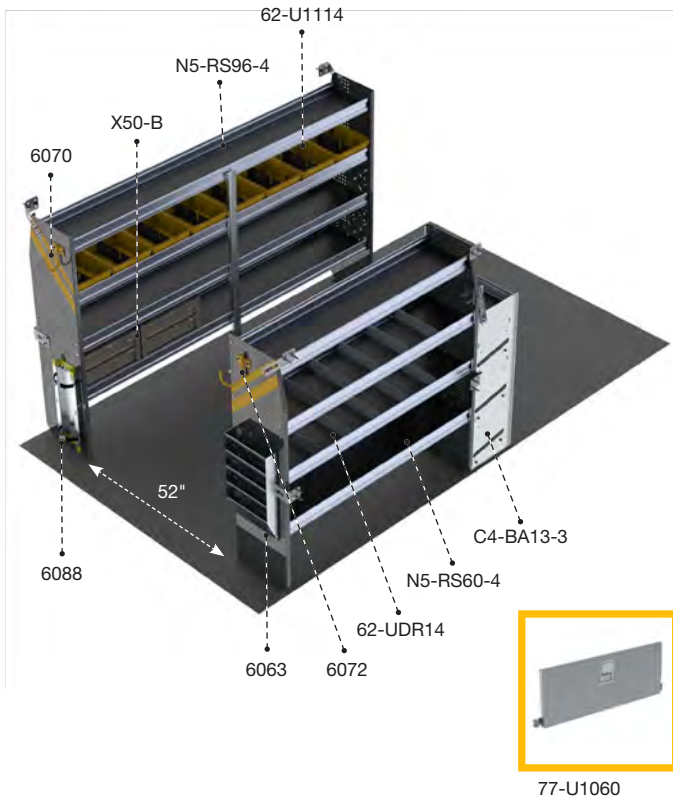
| Qty | Part      | Description   |
|-----|-----------|---|
| 1   | 6063      | Paper holder, extra deep, 5 slots                       |
| 1   | 6070      | 6" Hook, 3" opening, painted                            |
| 1   | 6072      | 8" Swivel hook, 4" opening, painted                     |
| 10  | 62-U1114  | 14" Deep plastic bin                                    |
| 2   | 62-UDR14  | Set of 5 dividers for a 14" shelf                       |
| 1   | 7124      | Reel holder with two 5/8" diameter rods                 |
| 2   | 77-U1060  | Adjustable shelving door unit - 57" W - for 60" shelves |
| 3   | N5-RS60-4 | Steel shelving unit, 14" D x 60" W x 62" H              |
| 1   | X50-B     | Compact 2-drawer unit                                   |
| 1   | X50-C     | Compact 3-drawer unit                                   |

Aisle space calculated for this package is based on an 84" wide box.



## BOX TRUCK STEP VAN & TRAILER

PACKAGES



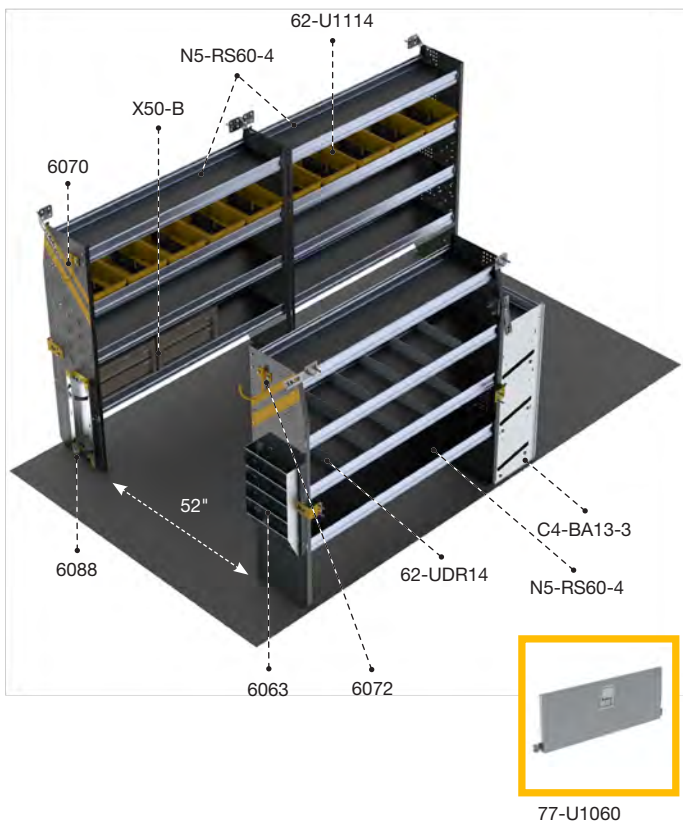
### BTS-12 HVAC

|         |           |           |
|---------|-----------|-----------|
| Steel   | Short 10+ | High Roof |
| 334 lbs | 5.1 hrs   | Yes       |

| Qty | Part             | Description   |
|-----|------------------|---|
| 1   | <b>C4-BA13-3</b> | 3 Tier refrigerant rack for large bottles                 |
| 1   | <b>6063</b>      | Paper holder, extra deep, 5 slots                         |
| 1   | <b>6070</b>      | 6" Hook, 3" opening, painted                              |
| 1   | <b>6072</b>      | 8" Swivel hook, 4" opening, painted                       |
| 1   | <b>6088</b>      | Large aluminum bottle holder, with two black nylon straps |
| 8   | <b>62-U1114</b>  | 14" Deep plastic bin                                      |
| 2   | <b>62-UDR14</b>  | Set of 5 dividers for a 14" shelf                         |
| 1   | <b>77-U1060</b>  | Adjustable shelving door unit - 57" W - for 60" shelves   |
| 1   | <b>N5-RS60-4</b> | Steel shelving unit, 14" D x 60" W x 62" H                |
| 1   | <b>N5-RS96-4</b> | Steel shelving unit, 14" D x 96" W x 62" H                |
| 2   | <b>X50-B</b>     | Compact 2-drawer unit                                     |

Aisle space calculated for this package is based on an 84" wide box.

Packages BTS-12 and BTL-12 are designed for boxes with side access. For boxes with no side access, it is recommended to reposition the C4-BA13-3 bottle rack.



### BTL-12 HVAC

|         |          |           |
|---------|----------|-----------|
| Steel   | Long 14+ | High Roof |
| 393 lbs | 6.1 hrs  | Yes       |

| Qty | Part             | Description   |
|-----|------------------|---|
| 1   | <b>C4-BA13-3</b> | 3 Tier refrigerant rack for large bottles                 |
| 1   | <b>6063</b>      | Paper holder, extra deep, 5 slots                         |
| 1   | <b>6070</b>      | 6" Hook, 3" opening, painted                              |
| 1   | <b>6072</b>      | 8" Swivel hook, 4" opening, painted                       |
| 1   | <b>6088</b>      | Large aluminum bottle holder, with two black nylon straps |
| 10  | <b>62-U1114</b>  | 14" Deep plastic bin                                      |
| 2   | <b>62-UDR14</b>  | Set of 5 dividers for a 14" shelf                         |
| 1   | <b>77-U1060</b>  | Adjustable shelving door unit - 57" W - for 60" shelves   |
| 3   | <b>N5-RS60-4</b> | Steel shelving units, 14" D x 60" W x 62" H               |
| 2   | <b>X50-B</b>     | Compact 2-drawer unit                                     |

Aisle space calculated for this package is based on an 84" wide box.





# HVAC **BTL-12**

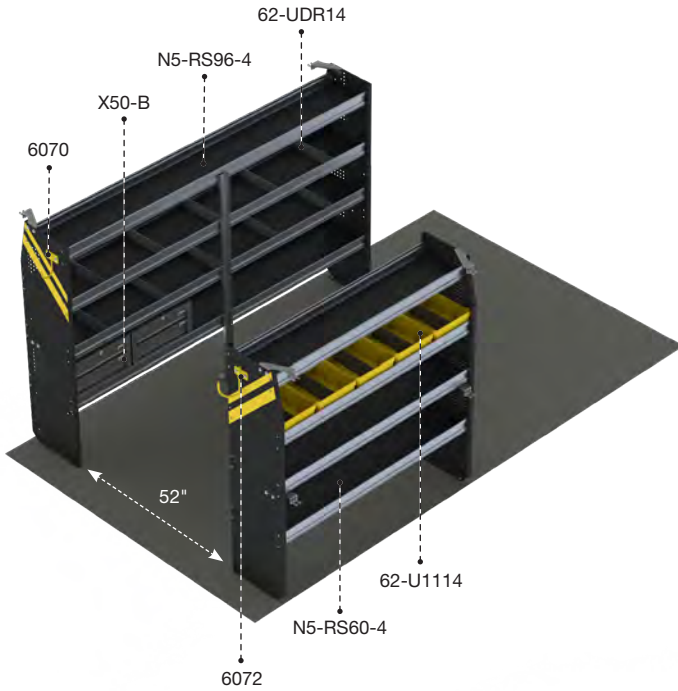
**BOX TRUCK** STEP VAN & TRAILER



## BOX TRUCK STEP VAN & TRAILER



PACKAGES

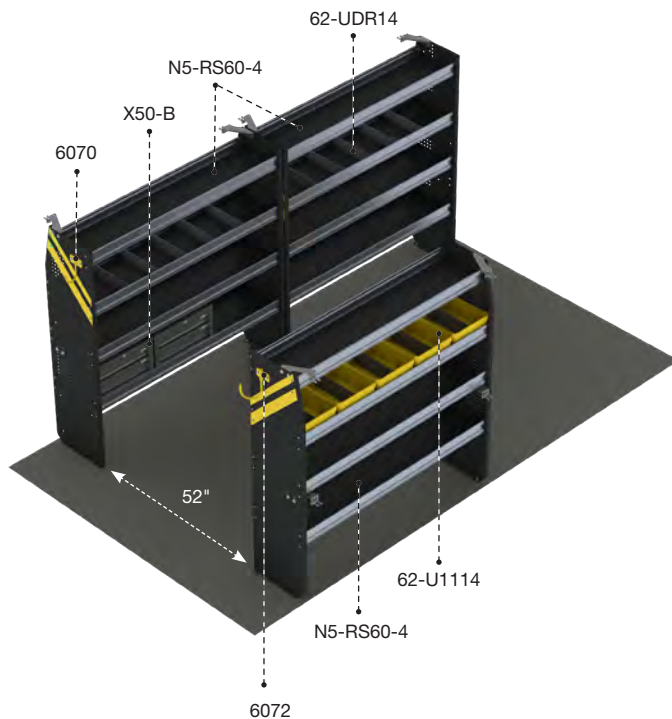


### BTS-16 SERVICE

|         |           |           |
|---------|-----------|-----------|
| Steel   | Short 10+ | High Roof |
| 281 lbs | 3.6 hrs   | Yes       |

| Qty | Part      | Description                                |
|-----|-----------|--|
| 1   | 6070      | 6" Hook, 3" opening, painted               |
| 1   | 6072      | 8" Swivel hook, 4" opening, painted        |
| 5   | 62-U1114  | 14" Deep plastic bin                       |
| 2   | 62-UDR14  | Set of 5 dividers for a 14" shelf          |
| 1   | N5-RS60-4 | Steel shelving unit, 14" D x 60" W x 62" H |
| 1   | N5-RS96-4 | Steel shelving unit, 14" D x 96" W x 62" H |
| 2   | X50-B     | Compact 2-drawer unit                      |

Aisle space calculated for this package is based on an 84" wide box.



### BTL-16 SERVICE

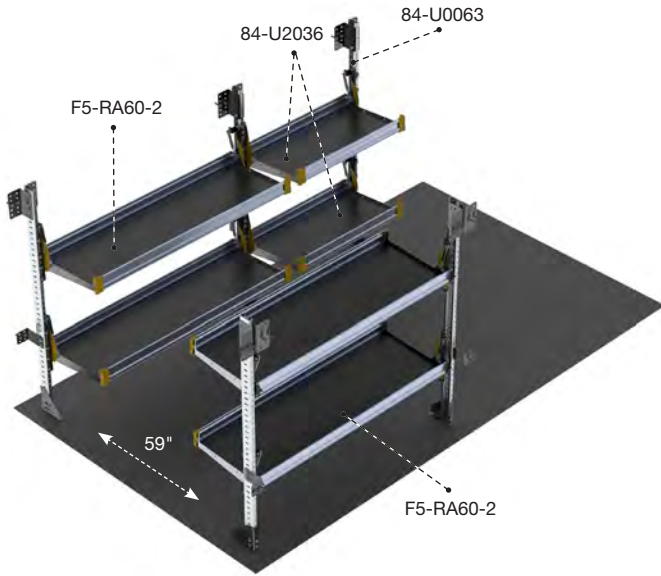
|         |          |           |
|---------|----------|-----------|
| Steel   | Long 14+ | High Roof |
| 336 lbs | 4.6 hrs  | Yes       |

| Qty | Part      | Description                                 |
|-----|-----------|---|
| 1   | 6070      | 6" Hook, 3" opening, painted                |
| 1   | 6072      | 8" Swivel hook, 4" opening, painted         |
| 5   | 62-U1114  | 14" Deep plastic bin                        |
| 2   | 62-UDR14  | Set of 5 dividers for a 14" shelf           |
| 3   | N5-RS60-4 | Steel shelving units, 14" D x 60" W x 62" H |
| 2   | X50-B     | Compact 2-drawer unit                       |

Aisle space calculated for this package is based on an 84" wide box.



**BOX TRUCK STEP VAN & TRAILER**



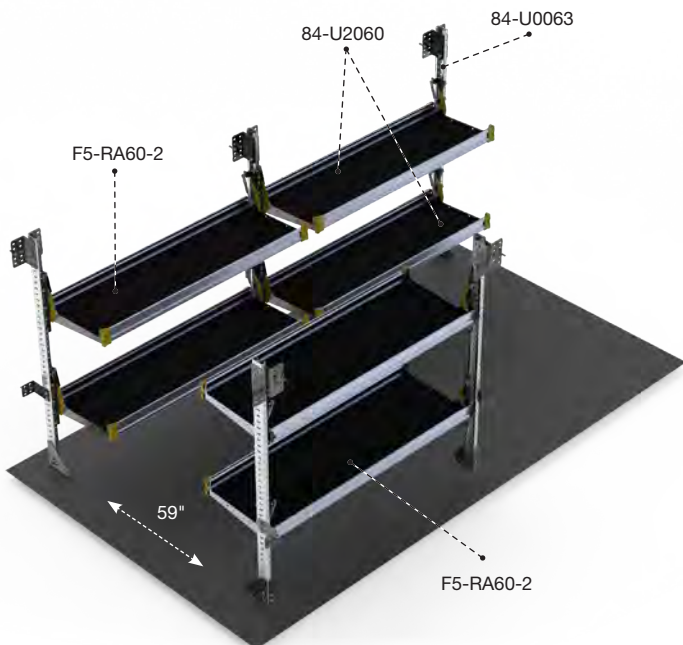
**BTS-19**  
DELIVERY

|          |           |           |
|----------|-----------|-----------|
| Aluminum | Short 10+ | High Roof |
| 212 lbs  | 4.3 hrs   | Yes       |

| Qty | Part      | Description                                     |
|-----|-----------|---|
| 1   | 84-U0063  | Post assembly for fold-away shelving 63"        |
| 2   | 84-U2036  | Fold-away shelf tray, 20" D x 36" W             |
| 2   | F5-RA60-2 | Fold-away unit, 2 levels, 25" D x 60" W x 63" H |

Aisle space calculated for this package is based on an 84" wide box.

PACKAGES



**BTL-19**  
DELIVERY

|          |          |           |
|----------|----------|-----------|
| Aluminum | Long 14+ | High Roof |
| 226 lbs  | 4.3 hrs  | Yes       |

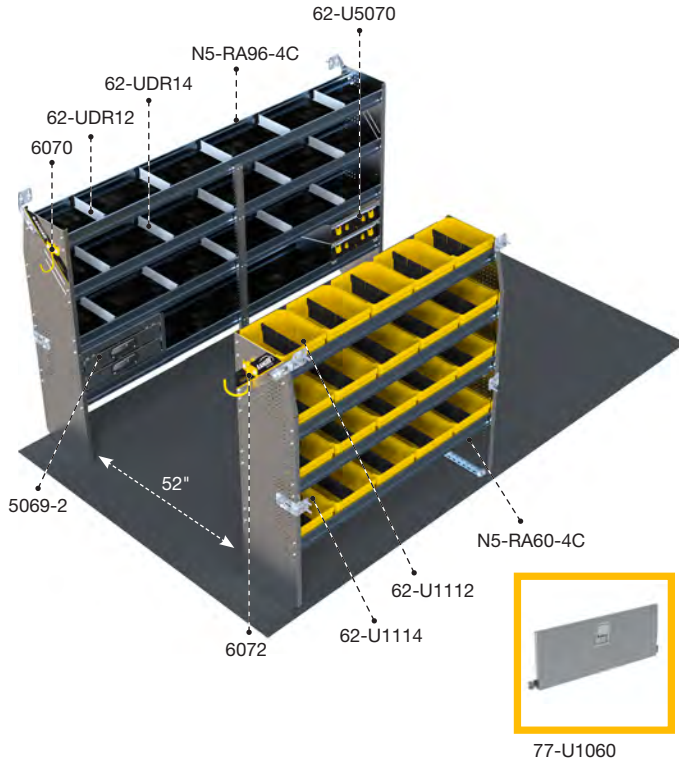
| Qty | Part      | Description                                     |
|-----|-----------|---|
| 1   | 84-U0063  | Post assembly for fold-away shelving 63"        |
| 2   | 84-U2060  | Fold-away shelf tray, 60" W x 20" D             |
| 2   | F5-RA60-2 | Fold-away unit, 2 levels, 25" D x 60" W x 63" H |

Aisle space calculated for this package is based on an 84" wide box.

## BOX TRUCK STEP VAN & TRAILER



PACKAGES



### BTS-27 ALUMINUM

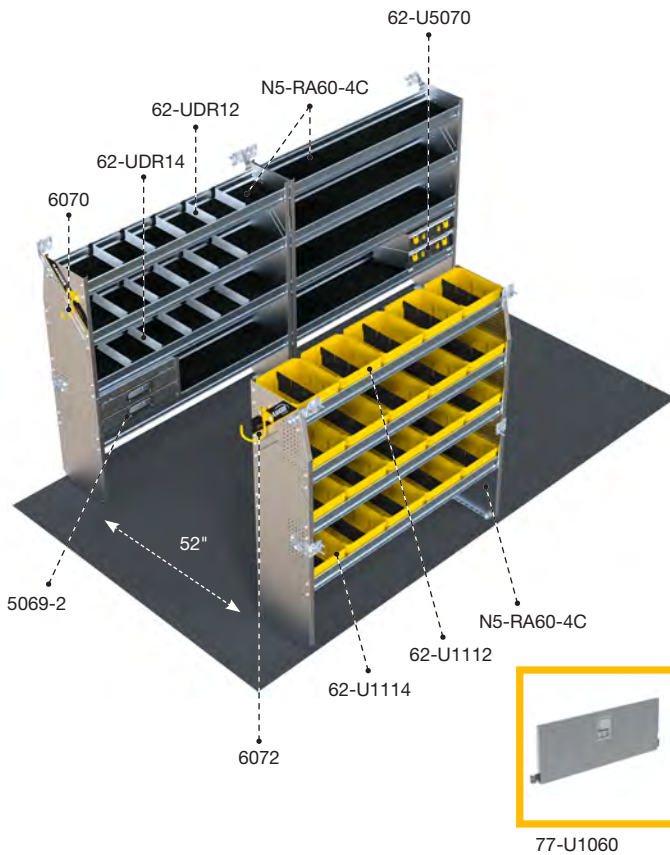
|          |           |           |
|----------|-----------|-----------|
| Aluminum | Short 10+ | High Roof |
| 246 lbs  | 4.6 hrs   | Yes       |

| Qty | Part       | Description  |
|-----|------------|--|
| 1   | 5069-2     | 2 Drawer cabinet   |
| 2   | 62-U5070   | Partskeeper carry case with holder                         |
| 1   | 6070       | 6" Hook, 3" opening, painted                               |
| 1   | 6072       | 8" Swivel hook, 4" opening, painted                        |
| 5   | 62-U1112   | 12" Deep plastic bin                                       |
| 15  | 62-U1114   | 14" Deep plastic bin                                       |
| 1   | 62-UDR12   | Set of 5 dividers for a 12" shelf                          |
| 2   | 62-UDR14   | Set of 5 dividers for a 14" shelf                          |
| 1   | 77-U1060   | Adjustable shelving door unit - 57" W - for 60" shelves    |
| 1   | N5-RA60-4C | Composite Aluminum shelving unit, 60", 14"D x 60" W x 62"H |
| 1   | N5-RA96-4C | Composite Aluminum shelving unit, 96", 14"D x 96" W x 62"H |

Aisle space calculated for this package is based on an 84" wide box.

### BTL-27 ALUMINUM

|          |          |           |
|----------|----------|-----------|
| Aluminum | Long 14+ | High Roof |
| 281 lbs  | 6.8 hrs  | Yes       |

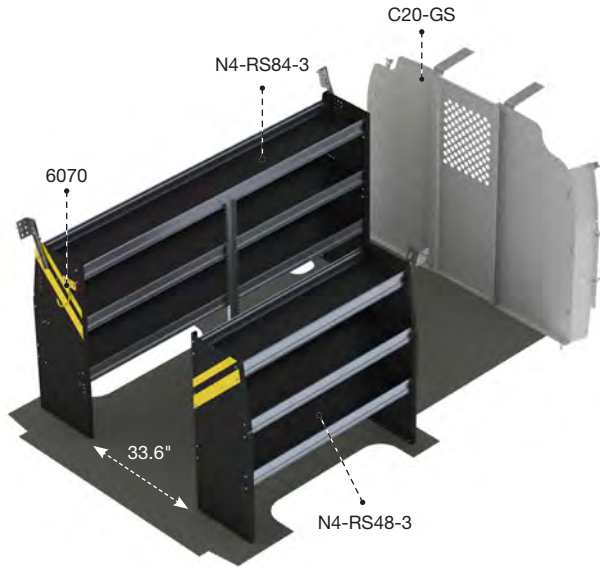


| Qty | Part       | Description  |
|-----|------------|--|
| 1   | 5069-2     | 2 Drawer cabinet   |
| 2   | 62-U5070   | Partskeeper carry case with holder                         |
| 1   | 6070       | 6" Hook, 3" opening, painted                               |
| 1   | 6072       | 8" Swivel hook, 4" opening, painted                        |
| 5   | 62-U1112   | 12" Deep plastic bin                                       |
| 15  | 62-U1114   | 14" Deep plastic bin                                       |
| 1   | 62-UDR12   | Set of 5 dividers for a 12" shelf                          |
| 2   | 62-UDR14   | Set of 5 dividers for a 14" shelf                          |
| 1   | 77-U1060   | Adjustable shelving door unit - 57" W - for 60" shelves    |
| 3   | N5-RA60-4C | Composite Aluminum shelving unit, 60", 14"D x 60" W x 62"H |

Aisle space calculated for this package is based on an 84" wide box.



CHEVROLET EXPRESS

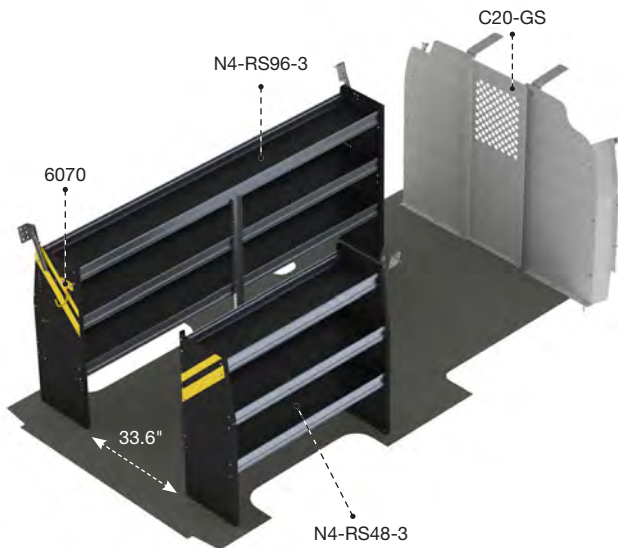


### GSR-10 CONTRACTOR

|         |         |          |
|---------|---------|----------|
| Steel   | 135"    | Standard |
| 203 lbs | 3.8 hrs | Yes      |

| Qty | Part      | Description  |
|-----|-----------|--|
| 1   | 6070      | 6" Hook, 3" opening, painted                               |
| 1   | C20-GS    | Straight steel partition with perforated window, no access |
| 1   | N4-RS48-3 | Steel shelving unit, 14" D x 48" W x 44.5" H               |
| 1   | N4-RS84-3 | Steel shelving unit, 14" D x 84" W x 44.5" H               |

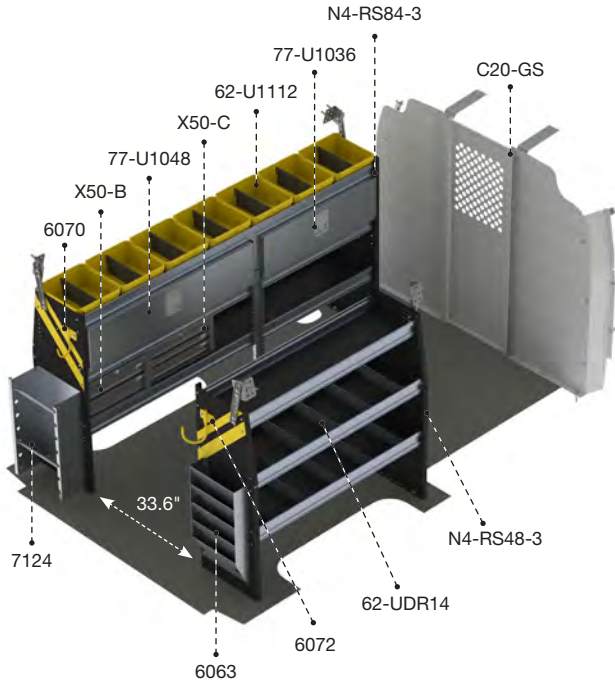
PACKAGES



### GSL-10 CONTRACTOR

|         |         |          |
|---------|---------|----------|
| Steel   | 155"    | Standard |
| 211 lbs | 3.8 hrs | Yes      |

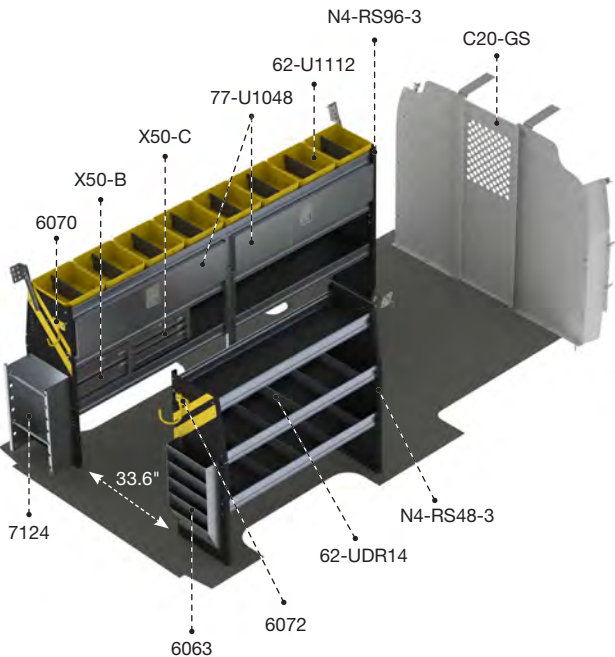
| Qty | Part      | Description  |
|-----|-----------|--|
| 1   | 6070      | 6" Hook, 3" opening, painted                               |
| 1   | C20-GS    | Straight steel partition with perforated window, no access |
| 1   | N4-RS48-3 | Steel shelving unit, 14" D x 48" W x 44.5" H               |
| 1   | N4-RS96-3 | Steel shelving unit, 14" D x 96" W x 44.5" H               |








### GSR-11 ELECTRICAL

|   |   |  |
|---|---|--|
|  Steel   |  135"    |  Standard |
|  311 lbs |  6.3 hrs |  Yes      |

| Qty | Part      | Description   |
|-----|-----------|---|
| 1   | 6063      | Paper holder, extra deep, 5 slots                             |
| 1   | 6070      | 6" Hook, 3" opening, painted                                  |
| 1   | 6072      | 8" Swivel hook, 4" opening, painted                           |
| 1   | 7124      | Reel holder with two 5/8" diameter rods                       |
| 7   | 62-U1112  | 12" deep plastic bin  |
| 2   | 62-UDR14  | Set of 5 dividers for a 14" Shelf                             |
| 1   | 77-U1036  | Adjustable shelving door unit - 33" W - for 36" & 72" shelves |
| 1   | 77-U1048  | Adjustable shelving door unit - 45" W - for 48" & 96" shelves |
| 1   | C20-GS    | Straight steel partition with perforated window, no access    |
| 1   | N4-RS48-3 | Steel shelving unit, 14" D x 48" W x 44.5" H                  |
| 1   | N4-RS84-3 | Steel shelving unit, 14" D x 84" W x 44.5" H                  |
| 1   | X50-B     | Compact 2-drawer unit   |
| 1   | X50-C     | Compact 3-drawer unit   |



### GSL-11 ELECTRICAL

|   |   |  |
|---|---|--|
|  Steel   |  155"    |  Standard |
|  322 lbs |  6.3 hrs |  Yes      |

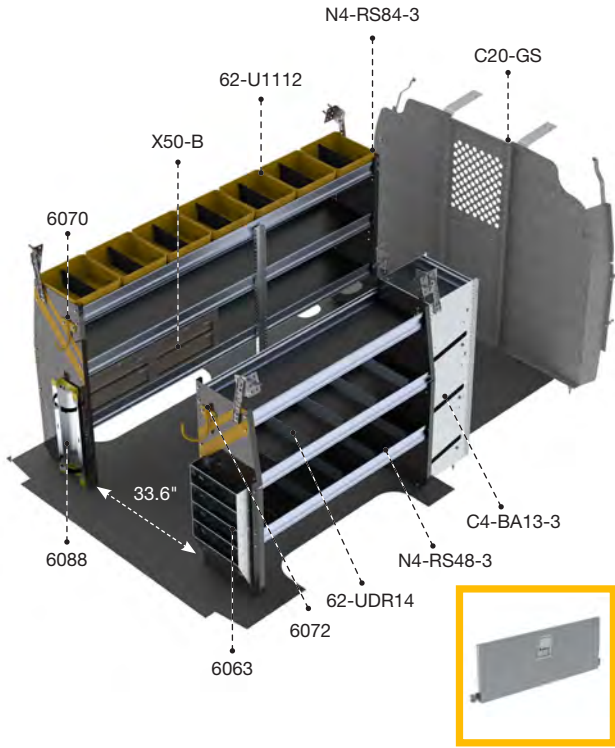
| Qty | Part      | Description   |
|-----|-----------|---|
| 1   | 6063      | Paper holder, extra deep, 5 slots                             |
| 1   | 6070      | 6" Hook, 3" opening, painted                                  |
| 1   | 6072      | 8" Swivel hook, 4" opening, painted                           |
| 1   | 7124      | Reel holder with two 5/8" diameter rods                       |
| 8   | 62-U1112  | 12" deep plastic bin  |
| 2   | 62-UDR14  | Set of 5 dividers for a 14" Shelf                             |
| 2   | 77-U1048  | Adjustable shelving door unit - 45" W - for 48" & 96" shelves |
| 1   | C20-GS    | Straight steel partition with perforated window, no access    |
| 1   | N4-RS48-3 | Steel shelving unit, 14" D x 48" W x 44.5" H                  |
| 1   | N4-RS96-3 | Steel shelving unit, 14" D x 96" W x 44.5" H                  |
| 1   | X50-B     | Compact 2-drawer unit   |
| 1   | X50-C     | Compact 3-drawer unit   |



# ELECTRICAL **GSR-11**

CHEVROLET **EXPRESS**



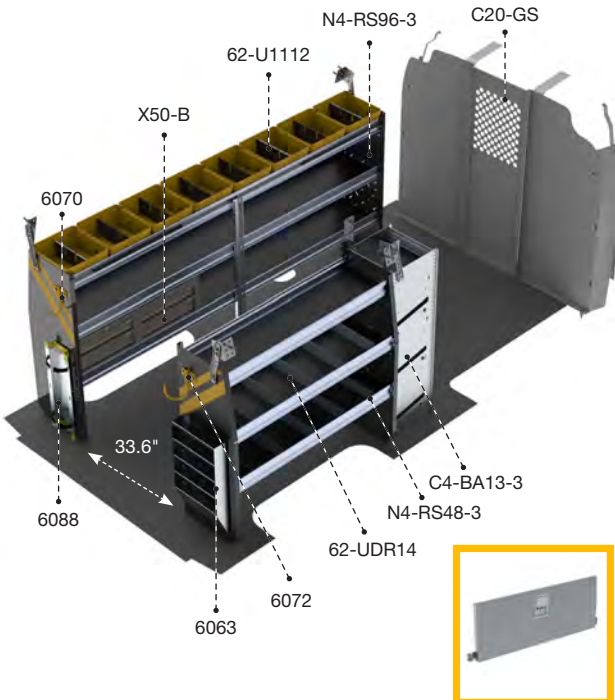


77-U1048

### GSR-12 HVAC

|         |         |          |
|---------|---------|----------|
| Steel   | 135"    | Standard |
| 320 lbs | 6.1 hrs | Yes      |

| Qty | Part             | Description   |
|-----|------------------|---|
| 1   | <b>C4-BA13-3</b> | 3 Tier refrigerant rack for large bottles                     |
| 1   | <b>6063</b>      | Paper holder, extra deep, 5 slots                             |
| 1   | <b>6070</b>      | 6" Hook, 3" opening, painted                                  |
| 1   | <b>6072</b>      | 8" Swivel hook, 4" opening, painted                           |
| 1   | <b>6088</b>      | Large aluminum bottle holder, with two black nylon straps     |
| 7   | <b>62-U1112</b>  | 12" deep plastic bin  |
| 2   | <b>62-UDR14</b>  | Set of 5 dividers for a 14" Shelf                             |
| 1   | <b>77-U1048</b>  | Adjustable shelving door unit - 45" W - for 48" & 96" shelves |
| 1   | <b>C20-GS</b>    | Straight steel partition with perforated window, no access    |
| 1   | <b>N4-RS48-3</b> | Steel shelving unit, 14" D x 48" W x 44.5" H                  |
| 1   | <b>N4-RS84-3</b> | Steel shelving unit, 14" D x 84" W x 44.5" H                  |
| 2   | <b>X50-B</b>     | Compact 2-drawer unit   |



77-U1048

### GSL-12 HVAC

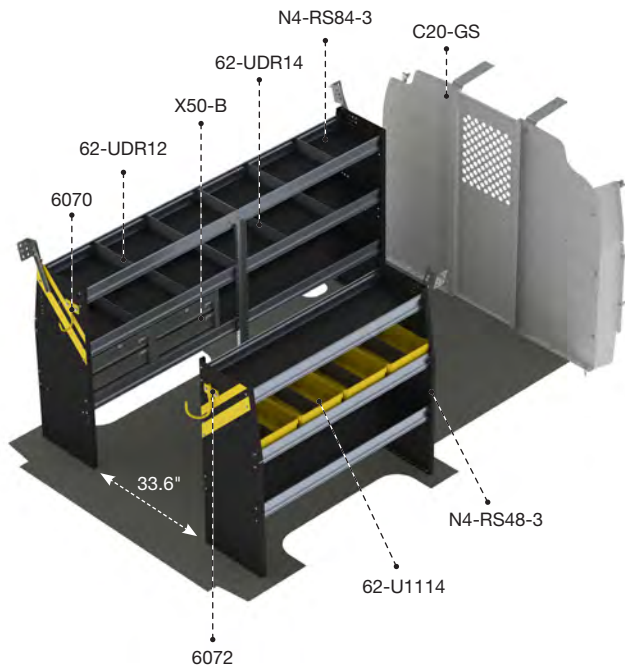
|         |         |          |
|---------|---------|----------|
| Steel   | 155"    | Standard |
| 330 lbs | 6.1 hrs | Yes      |

| Qty | Part             | Description   |
|-----|------------------|---|
| 1   | <b>C4-BA13-3</b> | 3 Tier refrigerant rack for large bottles                     |
| 1   | <b>6063</b>      | Paper holder, extra deep, 5 slots                             |
| 1   | <b>6070</b>      | 6" Hook, 3" opening, painted                                  |
| 1   | <b>6072</b>      | 8" Swivel hook, 4" opening, painted                           |
| 1   | <b>6088</b>      | Large aluminum bottle holder, with two black nylon straps     |
| 8   | <b>62-U1112</b>  | 12" deep plastic bin  |
| 2   | <b>62-UDR14</b>  | Set of 5 dividers for a 14" Shelf                             |
| 1   | <b>77-U1048</b>  | Adjustable shelving door unit - 45" W - for 48" & 96" shelves |
| 1   | <b>C20-GS</b>    | Straight steel partition with perforated window, no access    |
| 1   | <b>N4-RS48-3</b> | Steel shelving unit, 14" D x 48" W x 44.5" H                  |
| 1   | <b>N4-RS96-3</b> | Steel shelving unit, 14" D x 96" W x 44.5" H                  |
| 2   | <b>X50-B</b>     | Compact 2-drawer unit   |





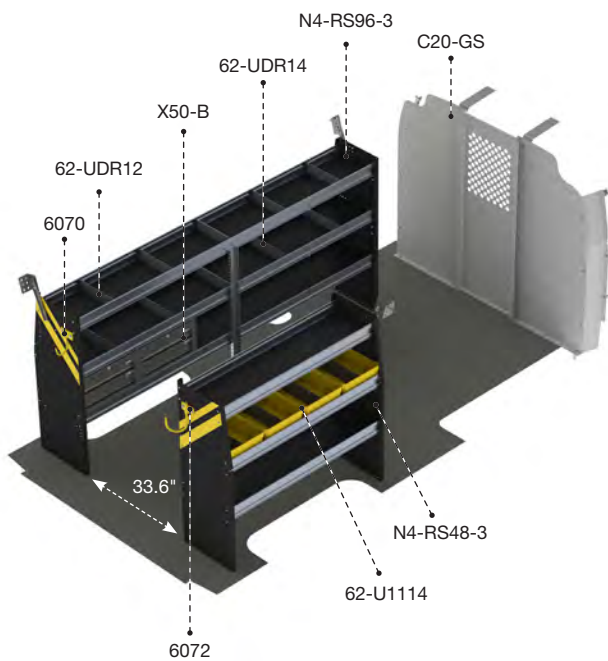
CHEVROLET EXPRESS



### GSR-16 SERVICE

|         |         |          |
|---------|---------|----------|
| Steel   | 135"    | Standard |
| 270 lbs | 4.6 hrs | Yes      |

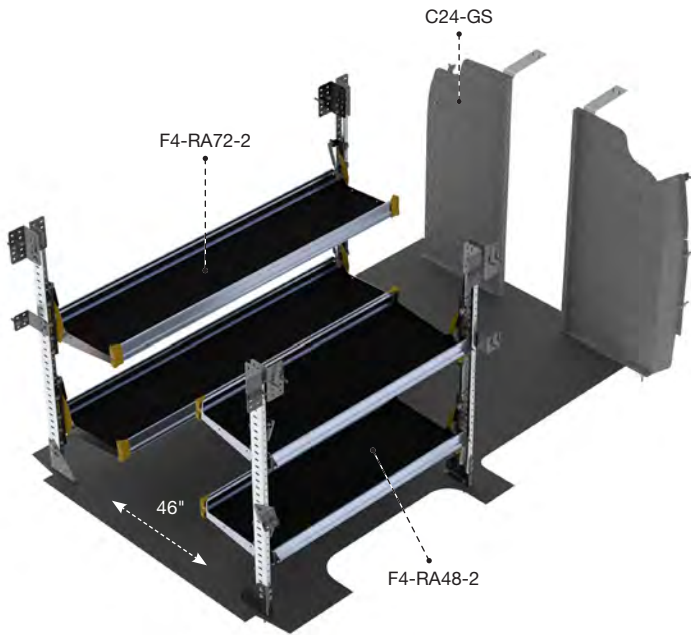
| Qty | Part      | Description  |
|-----|-----------|--|
| 1   | 6070      | 6" Hook, 3" opening, painted                               |
| 1   | 6072      | 8" Swivel hook, 4" opening, painted                        |
| 4   | 62-U1114  | 14" deep plastic bin                                       |
| 1   | 62-UDR12  | Set of 5 dividers for a 12" Shelf                          |
| 1   | 62-UDR14  | Set of 5 dividers for a 14" Shelf                          |
| 1   | C20-GS    | Straight steel partition with perforated window, no access |
| 1   | N4-RS48-3 | Steel shelving unit, 14" D x 48" W x 44.5" H               |
| 1   | N4-RS84-3 | Steel shelving unit, 14" D x 84" W x 44.5" H               |
| 2   | X50-B     | Compact 2-drawer unit                                      |



### GSL-16 SERVICE

|         |         |          |
|---------|---------|----------|
| Steel   | 155"    | Standard |
| 278 lbs | 4.6 hrs | Yes      |

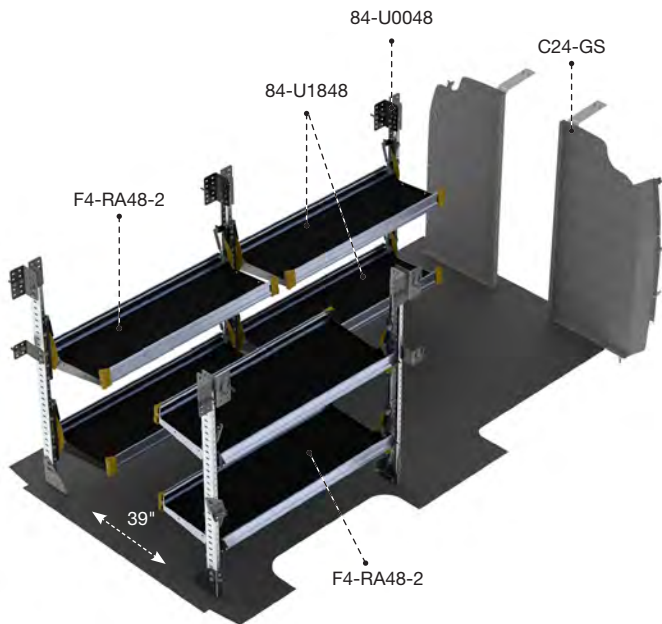
| Qty | Part      | Description  |
|-----|-----------|--|
| 1   | 6070      | 6" Hook, 3" opening, painted                               |
| 1   | 6072      | 8" Swivel hook, 4" opening, painted                        |
| 4   | 62-U1114  | 14" deep plastic bin                                       |
| 1   | 62-UDR12  | Set of 5 dividers for a 12" Shelf                          |
| 1   | 62-UDR14  | Set of 5 dividers for a 14" Shelf                          |
| 1   | C20-GS    | Straight steel partition with perforated window, no access |
| 1   | N4-RS48-3 | Steel shelving unit, 14" D x 48" W x 44.5" H               |
| 1   | N4-RS96-3 | Steel shelving unit, 14" D x 96" W x 44.5" H               |
| 2   | X50-B     | Compact 2-drawer unit                                      |



### GSR-19 DELIVERY

|          |         |          |
|----------|---------|----------|
| Aluminum | 135"    | Standard |
| 195 lbs  | 4.2 hrs | Yes      |

| Qty | Part             | Description                                     |
|-----|------------------|---|
| 1   | <b>C24-GS</b>    | Straight walk through steel partition           |
| 1   | <b>F4-RA72-2</b> | Fold-away unit, 2 levels, 22" D x 72" W x 47" H |
| 1   | <b>F4-RA48-2</b> | Fold-away unit, 2 levels, 22" D x 48" W x 47" H |



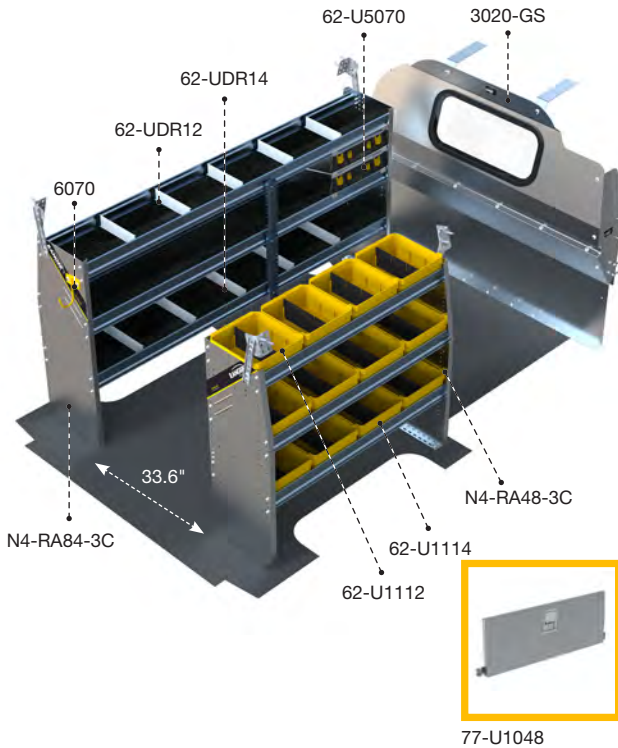
### GSL-19 DELIVERY

|          |         |          |
|----------|---------|----------|
| Aluminum | 155"    | Standard |
| 239 lbs  | 5.3 hrs | Yes      |

| Qty | Part             | Description                                     |
|-----|------------------|---|
| 1   | <b>84-U0048</b>  | Post assembly for fold-away shelving, 48"       |
| 2   | <b>84-U1848</b>  | Fold-away shelf tray, 18" D x 48" W             |
| 1   | <b>C24-GS</b>    | Straight walk through steel partition           |
| 2   | <b>F4-RA48-2</b> | Fold-away unit, 2 levels, 22" D x 48" W x 47" H |



CHEVROLET EXPRESS



**GSR-27**  
ALUMINUM

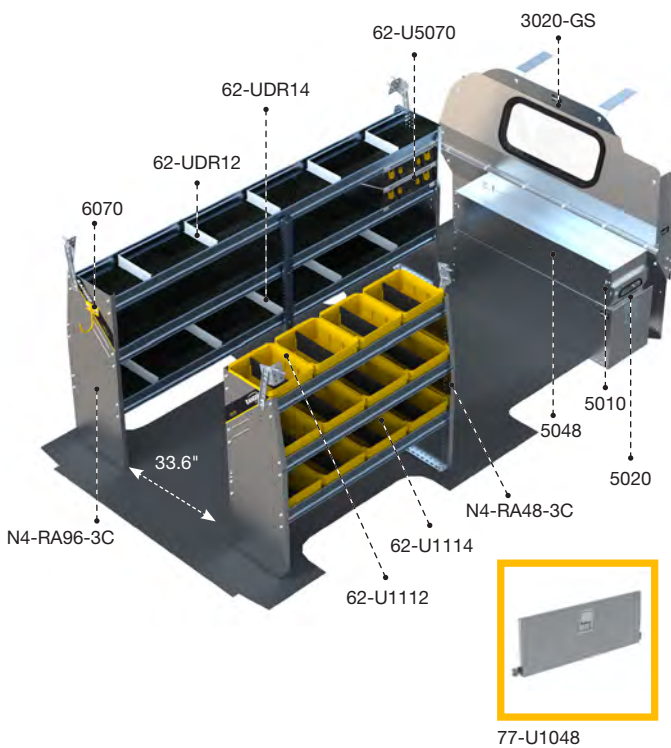
|          |         |          |
|----------|---------|----------|
| Aluminum | 135"    | Standard |
| 205 lbs  | 4.4 hrs | Yes      |

| Qty | Part              | Description   |
|-----|-------------------|---|
| 1   | <b>3020-GS</b>    | Countoured safety partition with glass window                 |
| 2   | <b>62-U5070</b>   | Partskeeper carry case with holder                            |
| 1   | <b>6070</b>       | 6" Hook, 3" opening, painted                                  |
| 4   | <b>62-U1112</b>   | 12" deep plastic bin  |
| 8   | <b>62-U1114</b>   | 14" deep plastic bin  |
| 1   | <b>62-UDR12</b>   | Set of 5 dividers for a 12" Shelf                             |
| 1   | <b>62-UDR14</b>   | Set of 5 dividers for a 14" Shelf                             |
| 1   | <b>77-U1048</b>   | Adjustable shelving door unit - 45" W - for 48" & 96" shelves |
| 1   | <b>N4-RA48-3C</b> | Composite Aluminum shelving unit, 14" D x 48" W x 44.5" H     |
| 1   | <b>N4-RA84-3C</b> | Composite Aluminum shelving unit, 14" D x 84" W x 44.5" H     |

PACKAGES

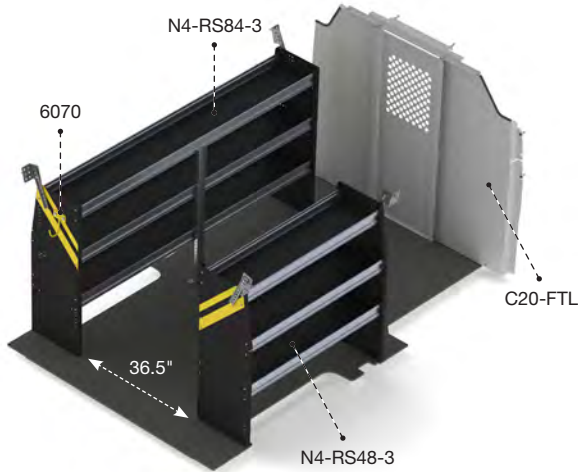
**GSL-27**  
ALUMINUM

|          |         |          |
|----------|---------|----------|
| Aluminum | 155"    | Standard |
| 311 lbs  | 6.1 hrs | Yes      |








| Qty | Part              | Description   |
|-----|-------------------|---|
| 1   | <b>3020-GS</b>    | Countoured safety partition with glass window                 |
| 1   | <b>5010</b>       | Partslider drawer 48" D                                       |
| 1   | <b>5020</b>       | Tool Drawer 48" D x 14" W x 16" H                             |
| 1   | <b>5048</b>       | Top edge  |
| 2   | <b>62-U5070</b>   | Partskeeper carry case with holder                            |
| 1   | <b>6070</b>       | 6" Hook, 3" opening, painted                                  |
| 4   | <b>62-U1112</b>   | 12" deep plastic bin  |
| 8   | <b>62-U1114</b>   | 14" deep plastic bin  |
| 1   | <b>62-UDR12</b>   | Set of 5 dividers for a 12" Shelf                             |
| 1   | <b>62-UDR14</b>   | Set of 5 dividers for a 14" Shelf                             |
| 1   | <b>77-U1048</b>   | Adjustable shelving door unit - 45" W - for 48" & 96" shelves |
| 1   | <b>N4-RA48-3C</b> | Composite Aluminum shelving unit, 14" D x 48" W x 44.5" H     |
| 1   | <b>N4-RA96-3C</b> | Composite Aluminum shelving unit, 14" D x 96" W x 44.5" H     |

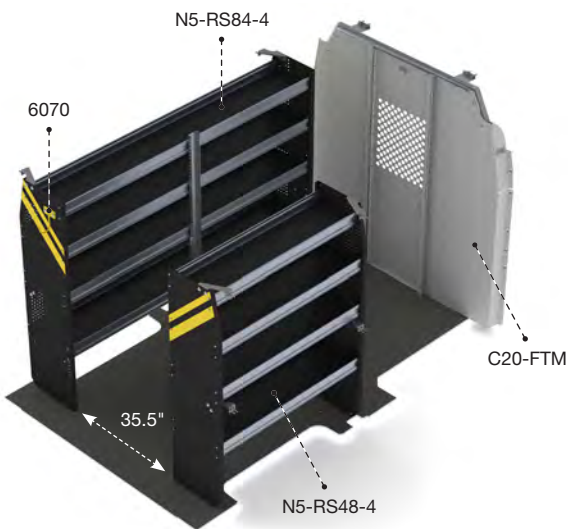
## FORD TRANSIT









### FTL-10 CONTRACTOR

|   |  |  |
|---|--|--|
|  Steel   |  130", 148" |  Low Roof |
|  206 lbs |  3.3 hrs    |  Yes      |

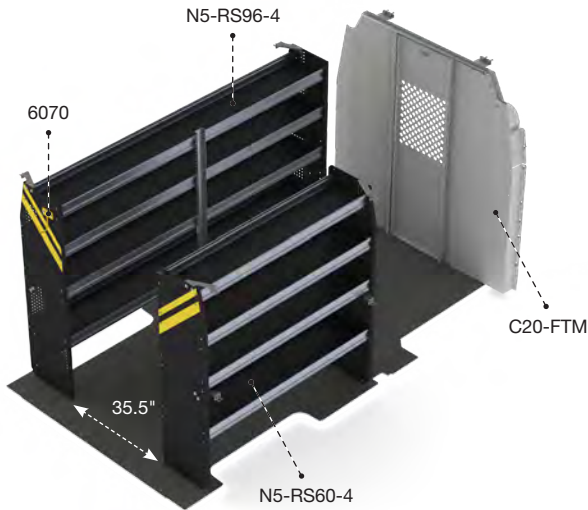
| Qty | Part #    | Description  |
|-----|-----------|--|
| 1   | 6070      | 6" Hook, 3" opening, painted                               |
| 1   | C20-FTL   | Straight steel partition with perforated window, no access |
| 1   | N4-RS48-3 | Steel shelving unit, 14" D x 48" W x 44.5" H               |
| 1   | N4-RS84-3 | Steel shelving unit, 14" D x 84" W x 44.5" H               |



### FTR-10 CONTRACTOR

|   |   |   |
|---|---|---|
|  Steel   |  130"    |  Medium Roof |
|  268 lbs |  3.8 hrs |  Yes         |

| Qty | Part #    | Description  |
|-----|-----------|--|
| 1   | 6070      | 6" Hook, 3" opening, painted                               |
| 1   | C20-FTM   | Straight steel partition with perforated window, no access |
| 1   | N5-RS48-4 | Steel shelving unit, 14" D x 48" W x 62" H                 |
| 1   | N5-RS84-4 | Steel shelving unit, 14" D x 84" W x 62" H                 |

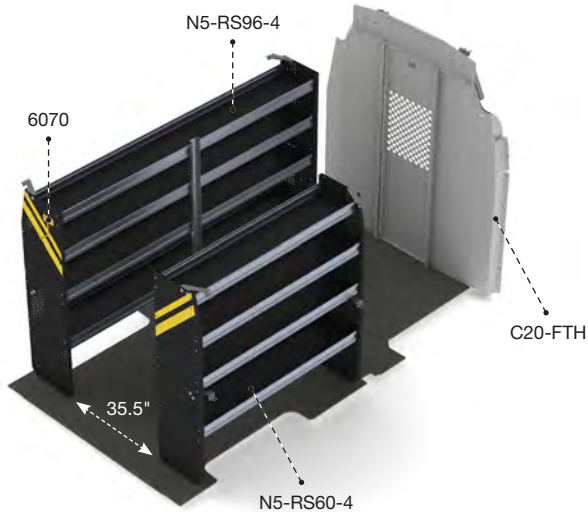


## FTM-10 CONTRACTOR

|         |         |             |
|---------|---------|-------------|
| Steel   | 148"    | Medium Roof |
| 288 lbs | 3.8 hrs | Yes         |

| Qty | Part #    | Description  |
|-----|-----------|--|
| 1   | 6070      | 6" Hook, 3" opening, painted                               |
| 1   | C20-FTM   | Straight steel partition with perforated window, no access |
| 1   | N5-RS60-4 | Steel shelving unit, 14" D x 60" W x 62" H                 |
| 1   | N5-RS96-4 | Steel shelving unit, 14" D x 96" W x 62" H                 |

PACKAGES



## FTH-10 CONTRACTOR

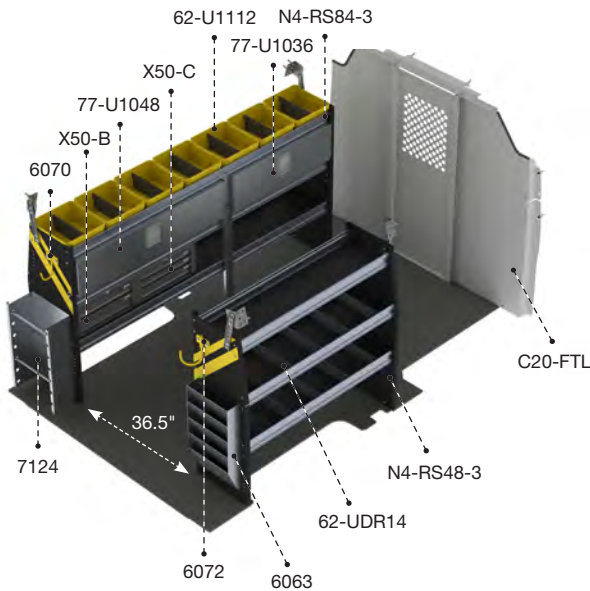
|         |                 |           |
|---------|-----------------|-----------|
| Steel   | 148", 148" Ext. | High Roof |
| 303 lbs | 3.8 hrs         | Yes       |

| Qty | Part #    | Description  |
|-----|-----------|--|
| 1   | 6070      | 6" Hook, 3" opening, painted                               |
| 1   | C20-FTH   | Straight steel partition with perforated window, no access |
| 1   | N5-RS60-4 | Steel shelving unit, 14" D x 60" W x 62" H                 |
| 1   | N5-RS96-4 | Steel shelving unit, 14" D x 96" W x 62" H                 |

## FORD TRANSIT



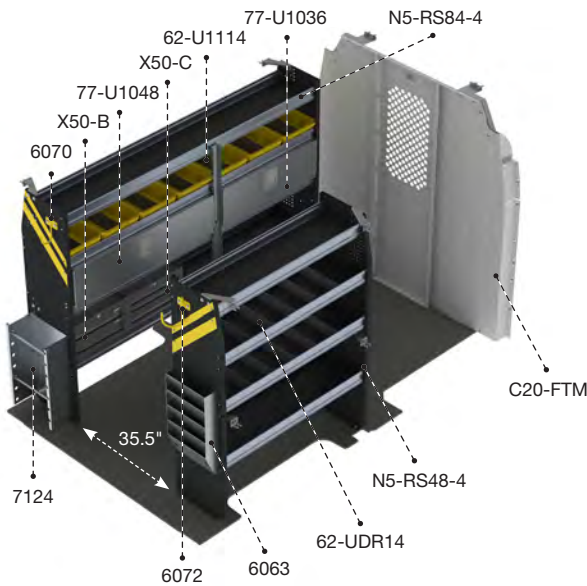
PACKAGES



### FTL-11 ELECTRICAL

|  |         |  |            |  |          |
|--|---------|--|------------|--|----------|
|  | Steel   |  | 130", 148" |  | Low Roof |
|  | 314 lbs |  | 5.8 hrs    |  | Yes      |

| Qty | Part #    | Description   |
|-----|-----------|---|
| 1   | 6063      | Paper holder, extra deep, 5 slots                               |
| 1   | 6070      | 6" Hook, 3" opening, painted                                    |
| 1   | 6072      | 8" Swivel hook, 4" opening, painted                             |
| 7   | 62-U1112  | 12" Deep plastic bin  |
| 2   | 62-UDR14  | Set of 5 dividers for a 14" shelf                               |
| 1   | 7124      | Reel holder with two 5/8" diameter rods                         |
| 1   | 77-U1036  | Adjustable shelving door unit - 33" W - for 36" and 72" shelves |
| 1   | 77-U1048  | Adjustable shelving door unit - 45" W - for 48" and 96" shelves |
| 1   | C20-FTL   | Straight steel partition with perforated window, no access      |
| 1   | N4-RS48-3 | Steel shelving unit, 14"D x 48" W x 44.5"H                      |
| 1   | N4-RS84-3 | Steel shelving unit, 14"D x 84" W x 44.5"H                      |
| 1   | X50-B     | Compact 2-drawer unit   |
| 1   | X50-C     | Compact 3-drawer unit   |



### FTR-11 ELECTRICAL

|  |         |  |         |  |             |
|--|---------|--|---------|--|-------------|
|  | Steel   |  | 130"    |  | Medium Roof |
|  | 377 lbs |  | 6.3 hrs |  | Yes         |

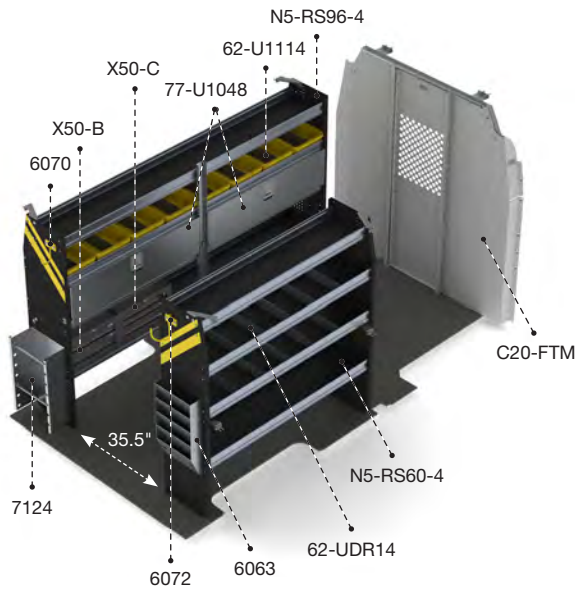
| Qty | Part #    | Description   |
|-----|-----------|---|
| 1   | 6063      | Paper holder, extra deep, 5 slots                               |
| 1   | 6070      | 6" Hook, 3" opening, painted                                    |
| 1   | 6072      | 8" Swivel hook, 4" opening, painted                             |
| 7   | 62-U1114  | 14" Deep plastic bin  |
| 2   | 62-UDR14  | Set of 5 dividers for a 14" shelf                               |
| 1   | 7124      | Reel holder with two 5/8" diameter rods                         |
| 1   | 77-U1036  | Adjustable shelving door unit - 33" W - for 36" and 72" shelves |
| 1   | 77-U1048  | Adjustable shelving door unit - 45" W - for 48" and 96" shelves |
| 1   | C20-FTM   | Straight steel partition with perforated window, no access      |
| 1   | N5-RS48-4 | Steel shelving unit, 14"D x 48" W x 62"H                        |
| 1   | N5-RS84-4 | Steel shelving unit, 14"D x 84" W x 62"H                        |
| 1   | X50-B     | Compact 2-drawer unit   |
| 1   | X50-C     | Compact 3-drawer unit   |



# ELECTRICAL FTM-11

**FORD TRANSIT**

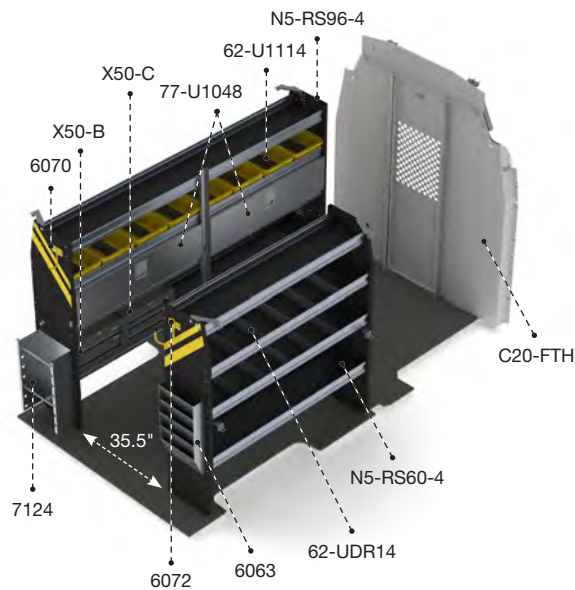




### FTM-11 ELECTRICAL

|   |   |   |
|---|---|---|
|  Steel   |  148"    |  Medium Roof |
|  401 lbs |  6.3 hrs |  Yes         |

| Qty | Part #    | Description   |
|-----|-----------|---|
| 1   | 6063      | Paper holder, extra deep, 5 slots                               |
| 1   | 6070      | 6" Hook, 3" opening, painted                                    |
| 1   | 6072      | 8" Swivel hook, 4" opening, painted                             |
| 8   | 62-U1114  | 14" Deep plastic bin  |
| 2   | 62-UDR14  | Set of 5 dividers for a 14" shelf                               |
| 1   | 7124      | Reel holder with two 5/8" diameter rods                         |
| 2   | 77-U1048  | Adjustable shelving door unit - 45" W - for 48" and 96" shelves |
| 1   | C20-FTM   | Straight steel partition with perforated window, no access      |
| 1   | N5-RS60-4 | Steel shelving unit, 14"D x 60" W x 62" H                       |
| 1   | N5-RS96-4 | Steel shelving unit, 14"D x 96" W x 62" H                       |
| 1   | X50-B     | Compact 2-drawer unit   |
| 1   | X50-C     | Compact 3-drawer unit   |



### FTH-11 ELECTRICAL

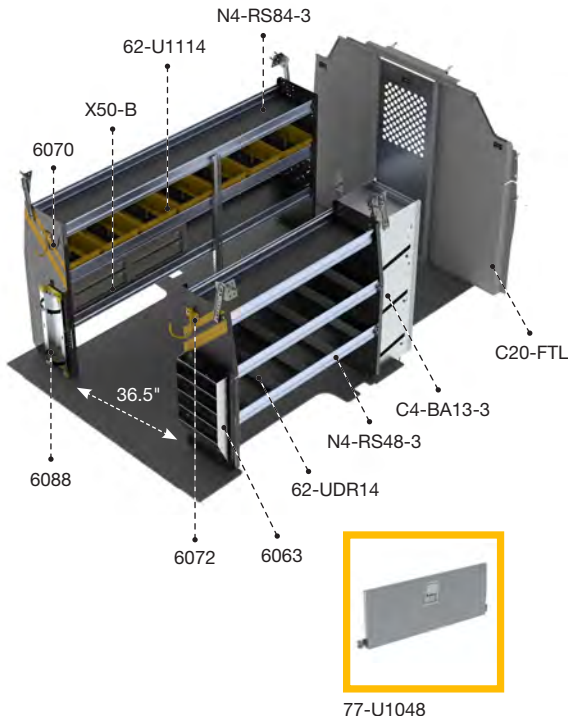
|   |   |   |
|---|---|---|
|  Steel   |  148", 148" Ext. |  High Roof |
|  416 lbs |  6.3 hrs         |  Yes       |

| Qty | Part #    | Description   |
|-----|-----------|---|
| 1   | 6063      | Paper holder, extra deep, 5 slots                               |
| 1   | 6070      | 6" Hook, 3" opening, painted                                    |
| 1   | 6072      | 8" Swivel hook, 4" opening, painted                             |
| 8   | 62-U1114  | 14" Deep plastic bin  |
| 2   | 62-UDR14  | Set of 5 dividers for a 14" shelf                               |
| 1   | 7124      | Reel holder with two 5/8" diameter rods                         |
| 2   | 77-U1048  | Adjustable shelving door unit - 45" W - for 48" and 96" shelves |
| 1   | C20-FTH   | Straight steel partition with perforated window, no access      |
| 1   | N5-RS60-4 | Steel shelving unit, 14"D x 60" W x 62" H                       |
| 1   | N5-RS96-4 | Steel shelving unit, 14"D x 96" W x 62" H                       |
| 1   | X50-B     | Compact 2-drawer unit   |
| 1   | X50-C     | Compact 3-drawer unit   |





## FORD TRANSIT



77-U1048

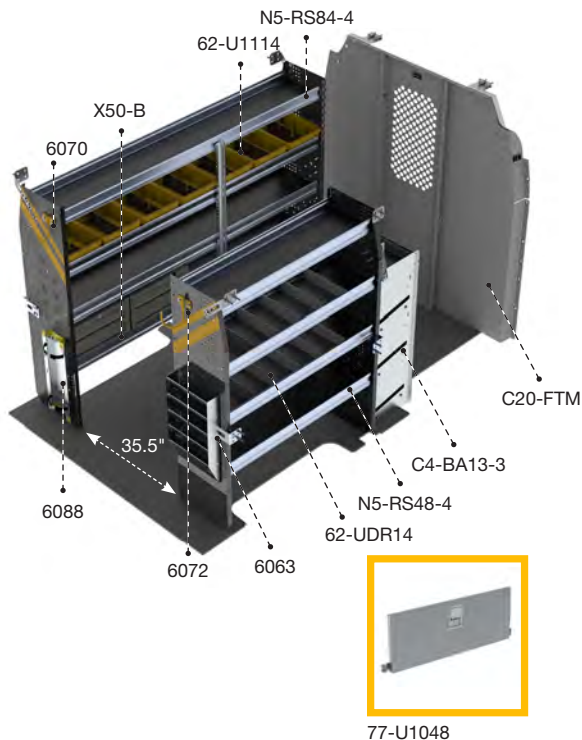
### FTL-12

HVAC

|         |            |          |
|---------|------------|----------|
| Steel   | 130", 148" | Low Roof |
| 325 lbs | 5.6 hrs    | Yes      |

| Qty | Part #           | Description   |
|-----|------------------|---|
| 1   | <b>C4-BA13-3</b> | 3 Tier refrigerant rack for large bottles                     |
| 1   | <b>6063</b>      | Paper holder, extra deep, 5 slots                             |
| 1   | <b>6070</b>      | 6" Hook, 3" opening, painted                                  |
| 1   | <b>6072</b>      | 8" Swivel hook, 4" opening, painted                           |
| 1   | <b>6088</b>      | Large aluminum bottle holder, with two black nylon straps     |
| 7   | <b>62-U1114</b>  | 14" Deep plastic bin  |
| 2   | <b>62-UDR14</b>  | Set of 5 dividers for a 14" shelf                             |
| 1   | <b>77-U1048</b>  | Adjustable shelving door unit - 45" W - for 48" & 96" shelves |
| 1   | <b>C20-FTL</b>   | Straight steel partition with perforated window, no access    |
| 1   | <b>N4-RS48-3</b> | Steel shelving unit, 14" D x 48" W x 44.5" H                  |
| 1   | <b>N4-RS84-3</b> | Steel shelving unit, 14" D x 84" W x 44.5" H                  |
| 2   | <b>X50-B</b>     | Compact 2-drawer unit   |

PACKAGES



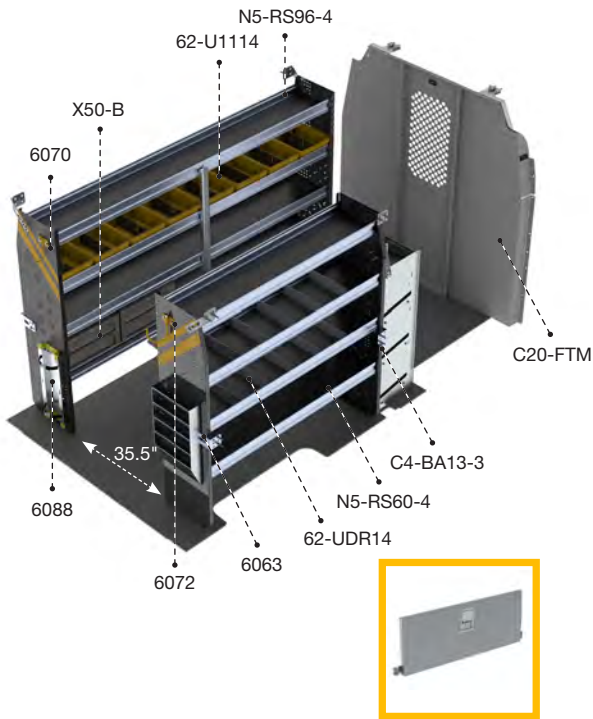
77-U1048

### FTR-12

HVAC

|         |         |             |
|---------|---------|-------------|
| Steel   | 130"    | Medium Roof |
| 387 lbs | 6.1 hrs | Yes         |

| Qty | Part #           | Description   |
|-----|------------------|---|
| 1   | <b>C4-BA13-3</b> | 3 Tier refrigerant rack for large bottles                     |
| 1   | <b>6063</b>      | Paper holder, extra deep, 5 slots                             |
| 1   | <b>6070</b>      | 6" Hook, 3" opening, painted                                  |
| 1   | <b>6072</b>      | 8" Swivel hook, 4" opening, painted                           |
| 1   | <b>6088</b>      | Large aluminum bottle holder, with two black nylon straps     |
| 7   | <b>62-U1114</b>  | 14" Deep plastic bin  |
| 2   | <b>62-UDR14</b>  | Set of 5 dividers for a 14" shelf                             |
| 1   | <b>77-U1048</b>  | Adjustable shelving door unit - 45" W - for 48" & 96" shelves |
| 1   | <b>C20-FTM</b>   | Straight steel partition with perforated window, no access    |
| 1   | <b>N5-RS48-4</b> | Steel shelving unit, 14" D x 48" W x 62" H                    |
| 1   | <b>N5-RS84-4</b> | Steel shelving unit, 14" D x 84" W x 62" H                    |
| 2   | <b>X50-B</b>     | Compact 2-drawer unit   |



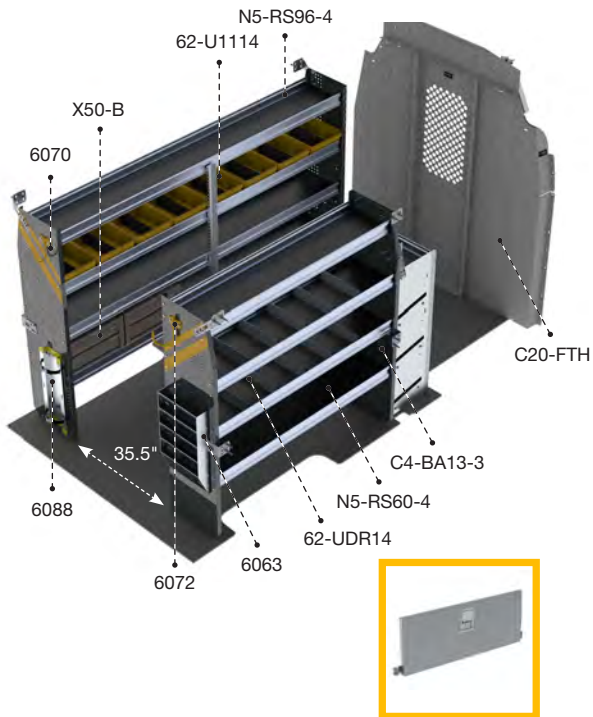
77-U1060

### FTM-12

HVAC

|  |         |  |         |  |             |
|--|---------|--|---------|--|-------------|
|  | Steel   |  | 148"    |  | Medium Roof |
|  | 390 lbs |  | 6.1 hrs |  | Yes         |

| Qty | Part #           | Description  |
|-----|------------------|--|
| 1   | <b>C4-BA13-3</b> | 3 Tier refrigerant rack for large bottles                  |
| 1   | <b>6063</b>      | Paper holder, extra deep, 5 slots                          |
| 1   | <b>6070</b>      | 6" Hook, 3" opening, painted                               |
| 1   | <b>6072</b>      | 8" Swivel hook, 4" opening, painted                        |
| 1   | <b>6088</b>      | Large aluminum bottle holder, with two black nylon straps  |
| 8   | <b>62-U1114</b>  | 14" Deep plastic bin                                       |
| 2   | <b>62-UDR14</b>  | Set of 5 dividers for a 14" shelf                          |
| 1   | <b>77-U1060</b>  | Adjustable shelving door unit - 57" W - for 60" shelves    |
| 1   | <b>C20-FTM</b>   | Straight steel partition with perforated window, no access |
| 1   | <b>N5-RS60-4</b> | Steel shelving unit, 14"D x 60" W x 62" H                  |
| 1   | <b>N5-RS96-4</b> | Steel shelving unit, 14"D x 96" W x 62" H                  |
| 2   | <b>X50-B</b>     | Compact 2-drawer unit                                      |



77-U1060

### FTH-12

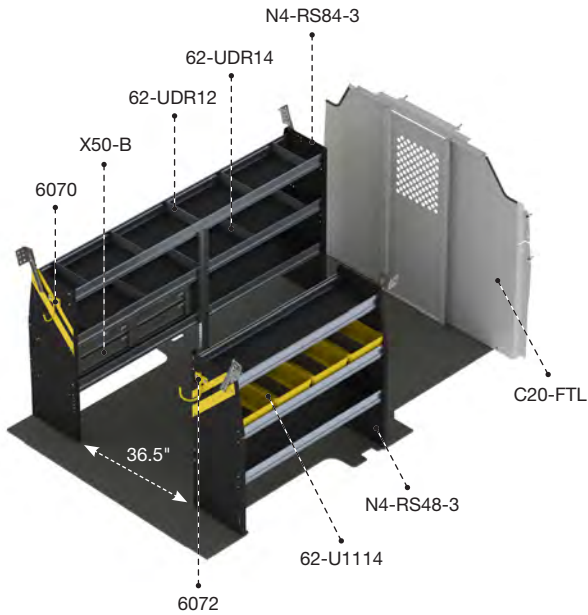
HVAC

|  |         |  |                 |  |           |
|--|---------|--|-----------------|--|-----------|
|  | Steel   |  | 148", 148" Ext. |  | High Roof |
|  | 426 lbs |  | 6.1 hrs         |  | Yes       |

| Qty | Part #           | Description  |
|-----|------------------|--|
| 1   | <b>C4-BA13-3</b> | 3 Tier refrigerant rack for large bottles                  |
| 1   | <b>6063</b>      | Paper holder, extra deep, 5 slots                          |
| 1   | <b>6070</b>      | 6" Hook, 3" opening, painted                               |
| 1   | <b>6072</b>      | 8" Swivel hook, 4" opening, painted                        |
| 1   | <b>6088</b>      | Large aluminum bottle holder, with two black nylon straps  |
| 8   | <b>62-U1114</b>  | 14" Deep plastic bin                                       |
| 2   | <b>62-UDR14</b>  | Set of 5 dividers for a 14" shelf                          |
| 1   | <b>77-U1060</b>  | Adjustable shelving door unit - 57" W - for 60" shelves    |
| 1   | <b>C20-FTH</b>   | Straight steel partition with perforated window, no access |
| 1   | <b>N5-RS60-4</b> | Steel shelving unit, 14"D x 60" W x 62" H                  |
| 1   | <b>N5-RS96-4</b> | Steel shelving unit, 14"D x 96" W x 62" H                  |
| 2   | <b>X50-B</b>     | Compact 2-drawer unit                                      |



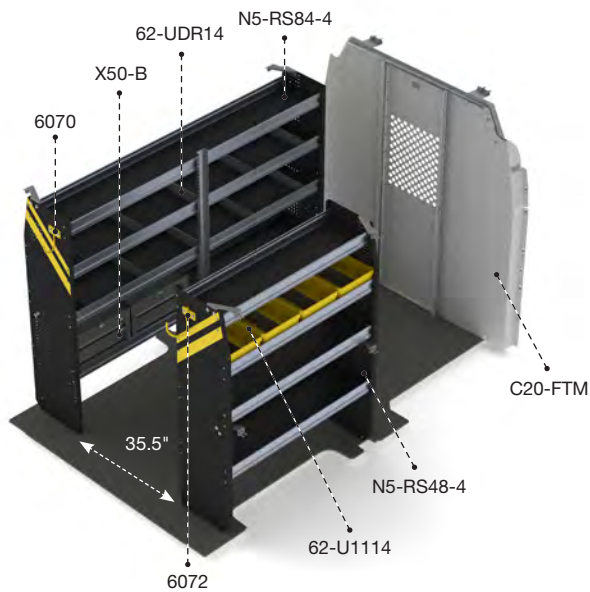
## FORD TRANSIT



### FTL-16 SERVICE

|         |            |          |
|---------|------------|----------|
| Steel   | 130", 148" | Low Roof |
| 273 lbs | 4.1 hrs    | Yes      |

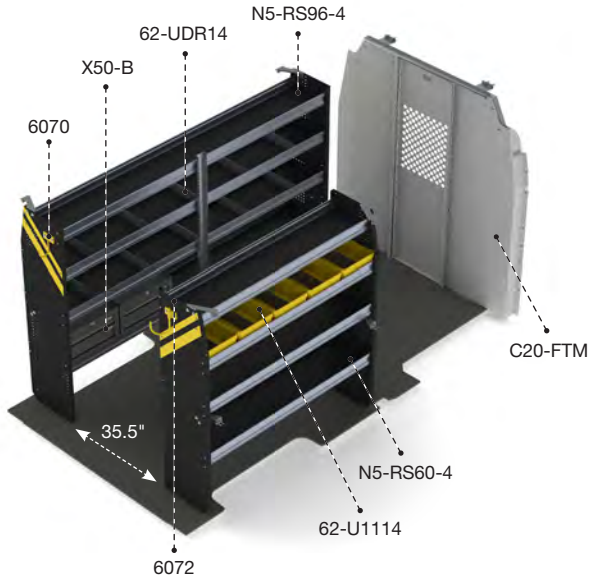
| Qty | Part #    | Description  |
|-----|-----------|--|
| 1   | 6070      | 6" Hook, 3" opening, painted                               |
| 1   | 6072      | 8" Swivel hook, 4" opening, painted                        |
| 4   | 62-U1114  | 14" Deep plastic bin                                       |
| 1   | 62-UDR12  | Set of 5 dividers for a 12" shelf                          |
| 1   | 62-UDR14  | Set of 5 dividers for a 14" shelf                          |
| 1   | C20-FTL   | Straight steel partition with perforated window, no access |
| 1   | N4-RS48-3 | Steel shelving unit, 14" D x 48" W x 44.5" H               |
| 1   | N4-RS84-3 | Steel shelving unit, 14" D x 84" W x 44.5" H               |
| 2   | X50-B     | Compact 2-drawer unit                                      |



### FTR-16 SERVICE

|         |         |             |
|---------|---------|-------------|
| Steel   | 130"    | Medium Roof |
| 336 lbs | 4.6 hrs | Yes         |

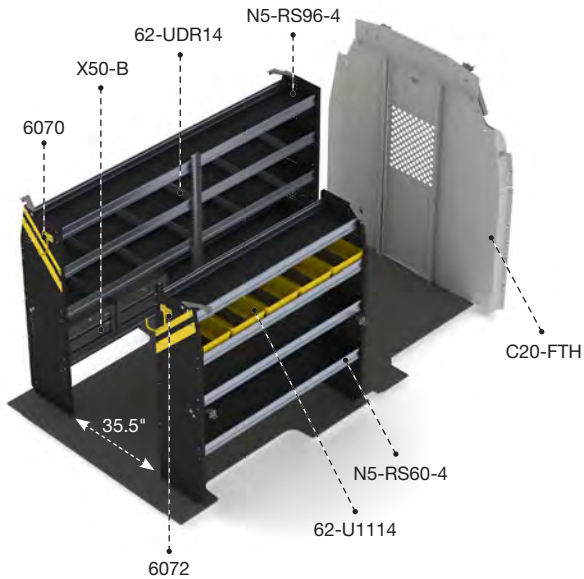
| Qty | Part #    | Description  |
|-----|-----------|--|
| 1   | 6070      | 6" Hook, 3" opening, painted                               |
| 1   | 6072      | 8" Swivel hook, 4" opening, painted                        |
| 4   | 62-U1114  | 14" Deep plastic bin                                       |
| 2   | 62-UDR14  | Set of 5 dividers for a 14" shelf                          |
| 1   | C20-FTM   | Straight steel partition with perforated window, no access |
| 1   | N5-RS48-4 | Steel shelving unit, 14" D x 48" W x 62" H                 |
| 1   | N5-RS84-4 | Steel shelving unit, 14" D x 84" W x 62" H                 |
| 2   | X50-B     | Compact 2-drawer unit                                      |



### FTM-16 SERVICE

|         |         |             |
|---------|---------|-------------|
| Steel   | 148"    | Medium Roof |
| 358 lbs | 4.6 hrs | Yes         |

| Qty | Part #    | Description  |
|-----|-----------|--|
| 1   | 6070      | 6" Hook, 3" opening, painted                               |
| 1   | 6072      | 8" Swivel hook, 4" opening, painted                        |
| 5   | 62-U1114  | 14" Deep plastic bin                                       |
| 2   | 62-UDR14  | Set of 5 dividers for a 14" shelf                          |
| 1   | C20-FTM   | Straight steel partition with perforated window, no access |
| 1   | N5-RS60-4 | Steel shelving unit, 14" D x 60" W x 62" H                 |
| 1   | N5-RS96-4 | Steel shelving unit, 14" D x 96" W x 62" H                 |
| 2   | X50-B     | Compact 2-drawer unit                                      |



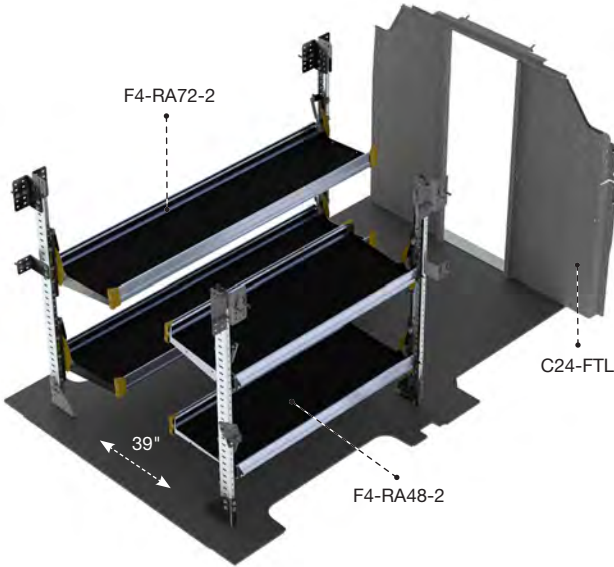
### FTH-16 SERVICE

|         |                 |           |
|---------|-----------------|-----------|
| Steel   | 148", 148" Ext. | High Roof |
| 373 lbs | 4.6 hrs         | Yes       |

| Qty | Part #    | Description  |
|-----|-----------|--|
| 1   | 6070      | 6" Hook, 3" opening, painted                               |
| 1   | 6072      | 8" Swivel hook, 4" opening, painted                        |
| 5   | 62-U1114  | 14" Deep plastic bin                                       |
| 2   | 62-UDR14  | Set of 5 dividers for a 14" shelf                          |
| 1   | C20-FTH   | Straight steel partition with perforated window, no access |
| 1   | N5-RS60-4 | Steel shelving unit, 14" D x 60" W x 62" H                 |
| 1   | N5-RS96-4 | Steel shelving unit, 14" D x 96" W x 62" H                 |
| 2   | X50-B     | Compact 2-drawer unit                                      |



FORD TRANSIT

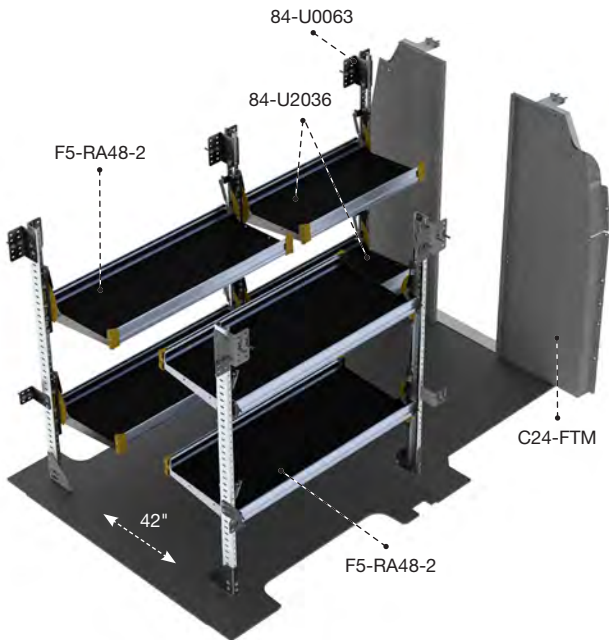


## FTL-19 DELIVERY

|          |            |          |
|----------|------------|----------|
| Aluminum | 130", 148" | Low Roof |
| 195 lbs  | 4.4 hrs    | Yes      |

| Qty | Part #           | Description                                     |
|-----|------------------|---|
| 1   | <b>C24-FTL</b>   | Straight walk through steel partition           |
| 1   | <b>F4-RA72-2</b> | Fold-away unit, 2 levels, 22" D x 72" W x 47" H |
| 1   | <b>F4-RA48-2</b> | Fold-away unit, 2 levels, 22" D x 48" W x 47" H |

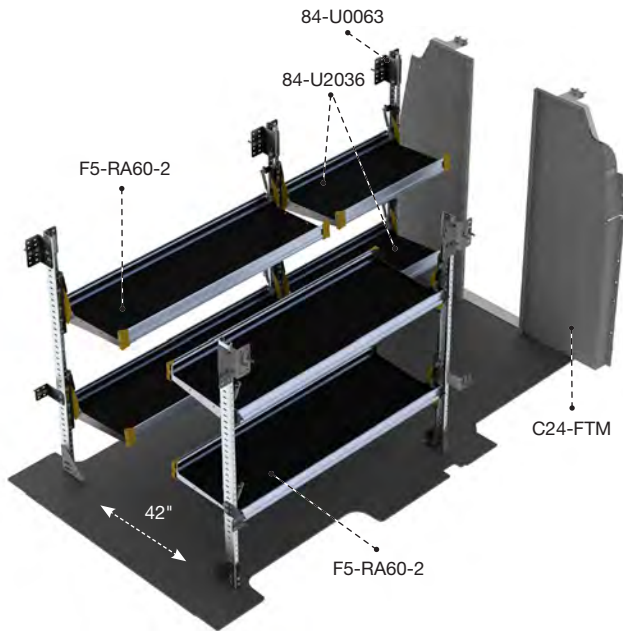
PACKAGES



## FTR-19 DELIVERY

|          |         |             |
|----------|---------|-------------|
| Aluminum | 130"    | Medium Roof |
| 259 lbs  | 5.5 hrs | Yes         |

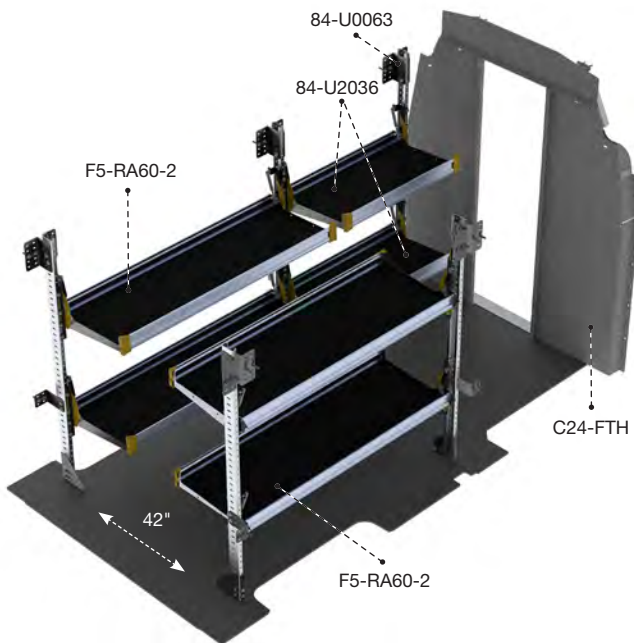
| Qty | Part #           | Description                                     |
|-----|------------------|---|
| 1   | <b>84-U0063</b>  | Post assembly for fold-away shelving, 63"       |
| 2   | <b>84-U2036</b>  | Fold-away shelf tray, 20" D x 36" W             |
| 1   | <b>C24-FTM</b>   | Straight walk through steel partition           |
| 2   | <b>F5-RA48-2</b> | Fold-away unit, 2 levels, 25" D x 48" W x 63" H |



### FTM-19 DELIVERY

|          |         |             |
|----------|---------|-------------|
| Aluminum | 148"    | Medium Roof |
| 271 lbs  | 5.5 hrs | Yes         |

| Qty | Part #           | Description                                     |
|-----|------------------|---|
| 1   | <b>84-U0063</b>  | Post assembly for fold-away shelving, 63"       |
| 2   | <b>84-U2036</b>  | Fold-away shelf tray, 20" D x 36" W             |
| 1   | <b>C24-FTM</b>   | Straight walk through steel partition           |
| 2   | <b>F5-RA60-2</b> | Fold-away unit, 2 levels, 25" D x 60" W x 63" H |



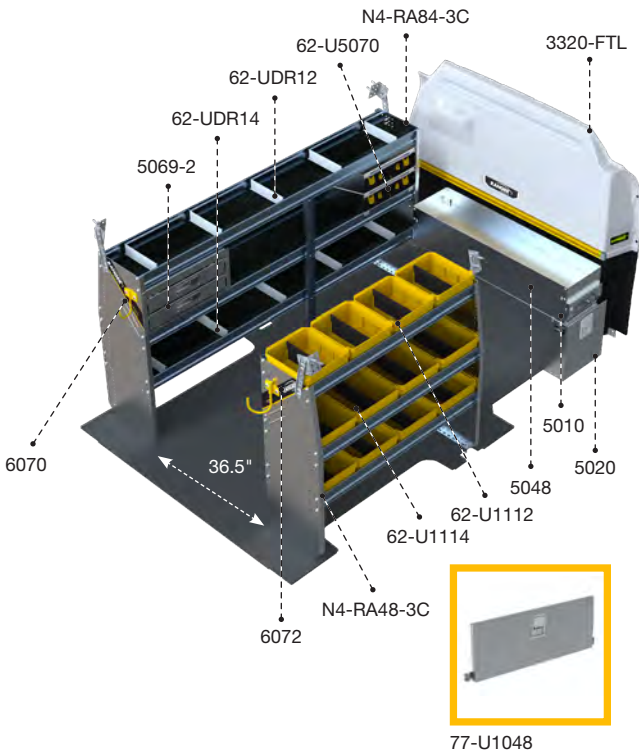
### FTH-19 DELIVERY

|          |                 |           |
|----------|-----------------|-----------|
| Aluminum | 148", 148" Ext. | High Roof |
| 277 lbs  | 5.5 hrs         | Yes       |

| Qty | Part #           | Description                                     |
|-----|------------------|---|
| 1   | <b>84-U0063</b>  | Post assembly for fold-away shelving, 63"       |
| 2   | <b>84-U2036</b>  | Fold-away shelf tray, 20" D x 36" W             |
| 1   | <b>C24-FTH</b>   | Straight walk through steel partition           |
| 2   | <b>F5-RA60-2</b> | Fold-away unit, 2 levels, 25" D x 60" W x 63" H |



## FORD TRANSIT

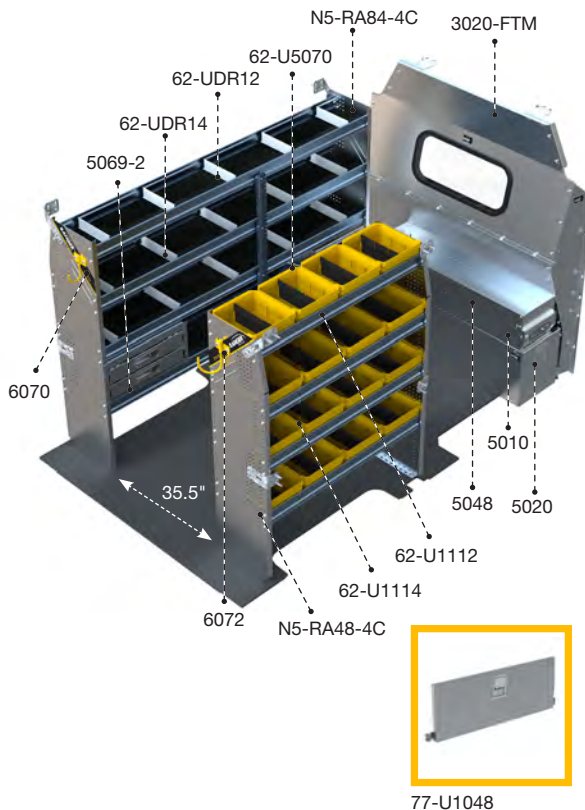


### FTL-27 ALUMINUM

|  |          |  |            |  |          |
|--|----------|--|------------|--|----------|
|  | Aluminum |  | 130", 148" |  | Low Roof |
|  | 342 lbs  |  | 7.3 hrs    |  | Yes      |

| Qty | Part #            | Description   |
|-----|-------------------|---|
| 1   | <b>3320-FTL</b>   | Max View Countoured safety partition                          |
| 1   | <b>5010</b>       | Partslider 48" D  |
| 1   | <b>5020</b>       | Tool drawer 48" D x 14" W x 16" H                             |
| 1   | <b>5048</b>       | Top edge  |
| 1   | <b>5069-2</b>     | 2 Drawer cabinet  |
| 2   | <b>62-U5070</b>   | Partskeeper carry case with holder                            |
| 1   | <b>6070</b>       | 6" Hook, 3" opening, painted                                  |
| 1   | <b>6072</b>       | 8" Swivel hook, 4" opening, painted                           |
| 4   | <b>62-U1112</b>   | 12" Deep plastic bin  |
| 8   | <b>62-U1114</b>   | 14" Deep plastic bin  |
| 1   | <b>62-UDR12</b>   | Set of 5 dividers for a 12" shelf                             |
| 1   | <b>62-UDR14</b>   | Set of 5 dividers for a 14" shelf                             |
| 1   | <b>77-U1048</b>   | Adjustable shelving door unit - 45" W - for 48" & 96" shelves |
| 1   | <b>N4-RA48-3C</b> | Composite Aluminum shelving unit, 14"D x 48" W x 44.5" H      |
| 1   | <b>N4-RA84-3C</b> | Composite Aluminum shelving unit, 14"D x 84" W x 44.5" H      |

PACKAGES



### FTR-27 ALUMINUM

|  |          |  |         |  |             |
|--|----------|--|---------|--|-------------|
|  | Aluminum |  | 130"    |  | Medium Roof |
|  | 426 lbs  |  | 7.3 hrs |  | Yes         |

| Qty | Part #            | Description   |
|-----|-------------------|---|
| 1   | <b>3020-FTM</b>   | Countoured safety partition with glass window                 |
| 1   | <b>5010</b>       | Partslider 48" D  |
| 1   | <b>5020</b>       | Tool drawer 48" D x 14" W x 16" H                             |
| 1   | <b>5048</b>       | Top edge  |
| 1   | <b>5069-2</b>     | 2 Drawer cabinet  |
| 2   | <b>62-U5070</b>   | Partskeeper carry case with holder                            |
| 1   | <b>6070</b>       | 6" Hook, 3" opening, painted                                  |
| 1   | <b>6072</b>       | 8" Swivel hook, 4" opening, painted                           |
| 4   | <b>62-U1112</b>   | 12" Deep plastic bin  |
| 12  | <b>62-U1114</b>   | 14" Deep plastic bin  |
| 1   | <b>62-UDR12</b>   | Set of 5 dividers for a 12" shelf                             |
| 2   | <b>62-UDR14</b>   | Set of 5 dividers for a 14" shelf                             |
| 1   | <b>77-U1048</b>   | Adjustable shelving door unit - 45" W - for 48" & 96" shelves |
| 1   | <b>N5-RA48-4C</b> | Composite Aluminum shelving unit, 14"D x 48" W x 62"H         |
| 1   | <b>N5-RA84-4C</b> | Composite Aluminum shelving unit, 14" D x 84" W x 62"H        |



ALUMINUM  
**FTM-27**

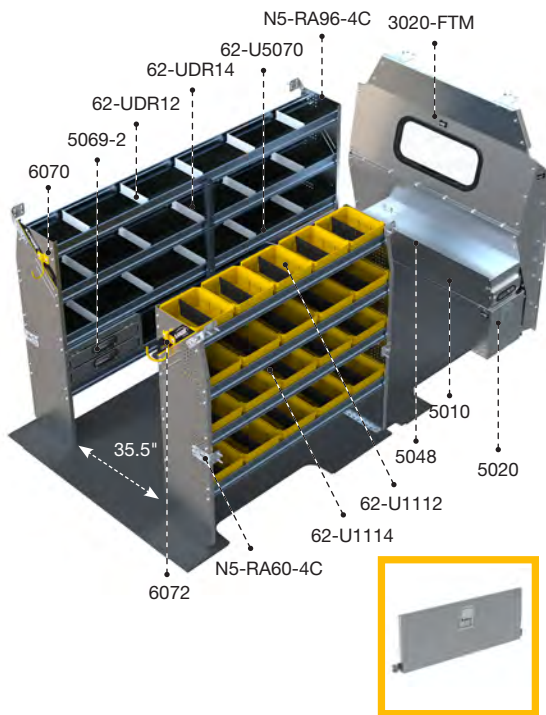
FORD **TRANSIT**







## FORD TRANSIT



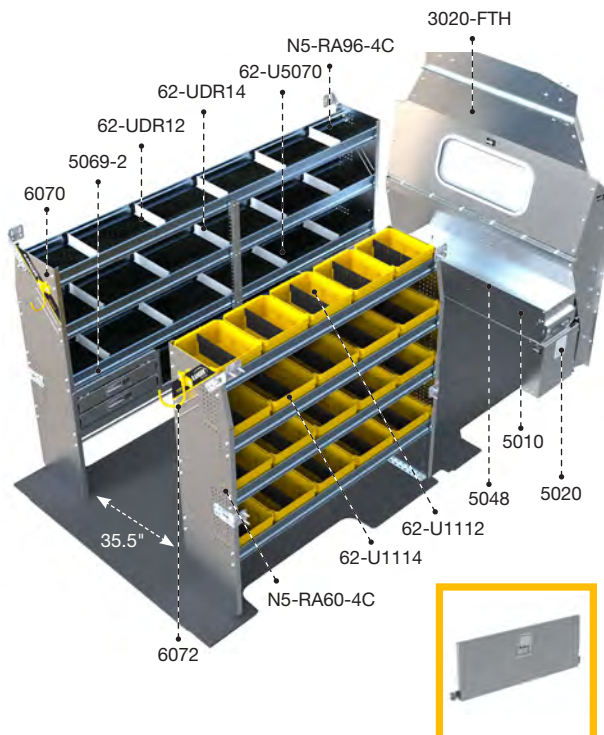
77-U1060

### FTM-27 ALUMINUM

|  |          |  |         |  |             |
|--|----------|--|---------|--|-------------|
|  | Aluminum |  | 148"    |  | Medium Roof |
|  | 449 lbs  |  | 7.3 hrs |  | Yes         |

| Qty | Part #            | Description   |
|-----|-------------------|---|
| 1   | <b>3020-FTM</b>   | Countoured safety partition with glass window           |
| 1   | <b>5010</b>       | Partslider 48" D  |
| 1   | <b>5020</b>       | Tool drawer 48" D x 14" W x 16" H                       |
| 1   | <b>5048</b>       | Top edge  |
| 1   | <b>5069-2</b>     | 2 Drawer cabinet  |
| 2   | <b>62-U5070</b>   | Partskeeper cabinets                                    |
| 1   | <b>6070</b>       | 6" Hook, 3" opening, painted                            |
| 1   | <b>6072</b>       | 8" Swivel hook, 4" opening, painted                     |
| 5   | <b>62-U1112</b>   | 12" Deep plastic bin                                    |
| 15  | <b>62-U1114</b>   | 14" Deep plastic bin                                    |
| 1   | <b>62-UDR12</b>   | Set of 5 dividers for a 12" shelf                       |
| 2   | <b>62-UDR14</b>   | Set of 5 dividers for a 14" shelf                       |
| 1   | <b>77-U1060</b>   | Adjustable shelving door unit - 57" W - for 60" shelves |
| 1   | <b>N5-RA60-4C</b> | Composite Aluminum shelving unit, 14"D x 60" W x 62"H   |
| 1   | <b>N5-RA96-4C</b> | Composite Aluminum shelving unit, 14"D x 96" W x 62"H   |

PACKAGES



77-U1060

### FTH-27 ALUMINUM

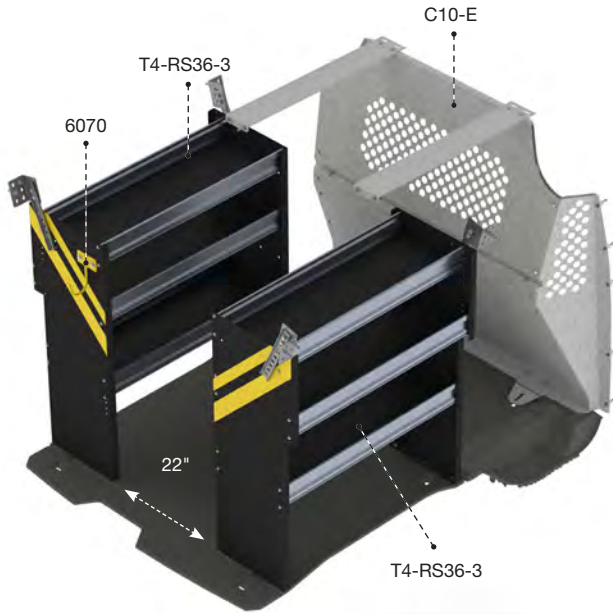
|  |          |  |                 |  |           |
|--|----------|--|-----------------|--|-----------|
|  | Aluminum |  | 148", 148" Ext. |  | High Roof |
|  | 454 lbs  |  | 7.3 hrs         |  | Yes       |

| Qty | Part #            | Description   |
|-----|-------------------|---|
| 1   | <b>3020-FTH</b>   | Countoured safety partition with glass window           |
| 1   | <b>5010</b>       | Partslider 48" D  |
| 1   | <b>5020</b>       | Tool drawer 48" D x 14" W x 16" H                       |
| 1   | <b>5048</b>       | Top edge  |
| 1   | <b>5069-2</b>     | 2 Drawer cabinet  |
| 2   | <b>62-U5070</b>   | Partskeeper cabinets                                    |
| 1   | <b>6070</b>       | 6" Hook, 3" opening, painted                            |
| 1   | <b>6072</b>       | 8" Swivel hook, 4" opening, painted                     |
| 5   | <b>62-U1112</b>   | 12" Deep plastic bin                                    |
| 15  | <b>62-U1114</b>   | 14" Deep plastic bin                                    |
| 1   | <b>62-UDR12</b>   | Set of 5 dividers for a 12" shelf                       |
| 2   | <b>62-UDR14</b>   | Set of 5 dividers for a 14" shelf                       |
| 1   | <b>77-U1060</b>   | Adjustable shelving door unit - 57" W - for 60" shelves |
| 1   | <b>N5-RA60-4C</b> | Composite Aluminum shelving unit, 14"D x 60" W x 62"H   |
| 1   | <b>N5-RA96-4C</b> | Composite Aluminum shelving unit, 14"D x 96" W x 62"H   |

## FORD TRANSIT CONNECT



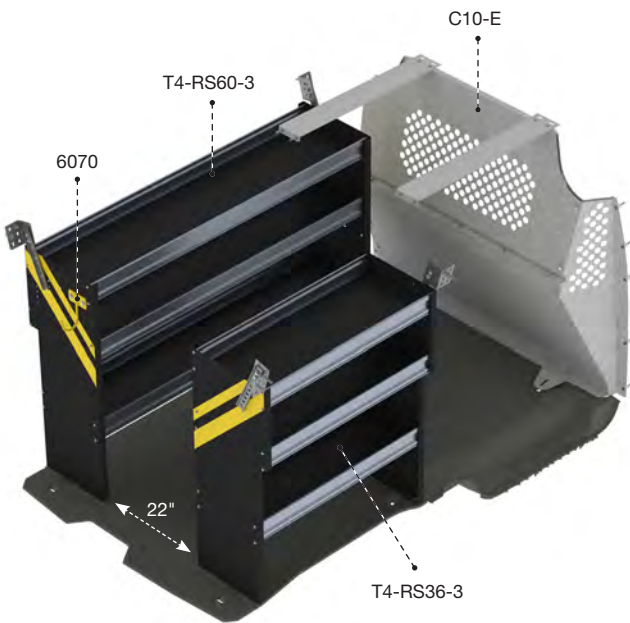
PACKAGES



### TCS-10 CONTRACTOR

|         |         |          |
|---------|---------|----------|
| Steel   | 105"    | Standard |
| 149 lbs | 3.2 hrs | Yes      |

| Qty | Part #    | Description                                      |
|-----|-----------|--|
| 1   | 6070      | 6" Hook, 3" opening, painted                     |
| 1   | C10-E     | Contoured steel partition with perforated window |
| 2   | T4-RS36-3 | Steel shelving unit, 14" D x 36" W x 41.5" H     |



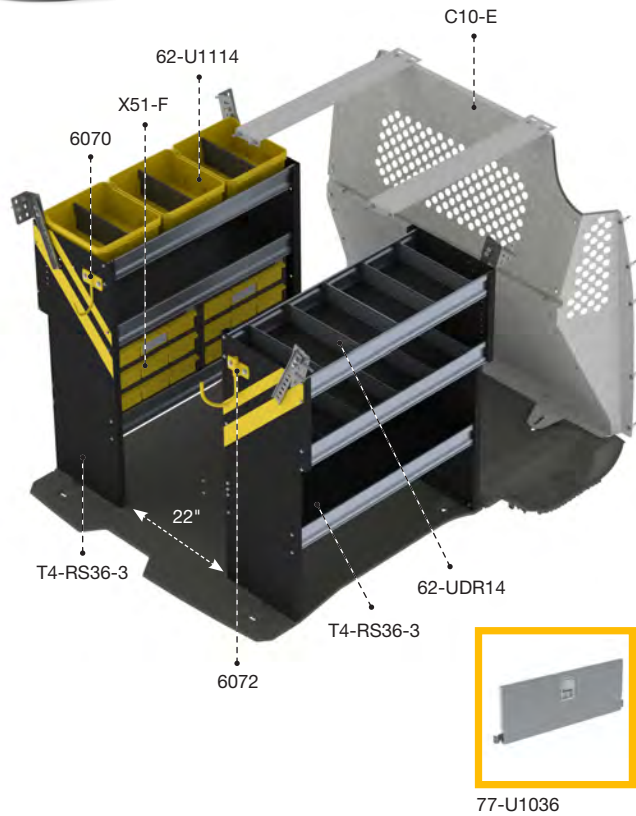
### TCL-10 CONTRACTOR

|         |         |          |
|---------|---------|----------|
| Steel   | 120.5"  | Standard |
| 164 lbs | 3.2 hrs | Yes      |

| Qty | Part #    | Description                                      |
|-----|-----------|--|
| 1   | 6070      | 6" Hook, 3" opening, painted                     |
| 1   | C10-E     | Contoured steel partition with perforated window |
| 1   | T4-RS36-3 | Steel shelving unit, 14" D x 36" W x 41.5" H     |
| 1   | T4-RS60-3 | Steel shelving unit, 14" D x 60" W x 41.5" H     |



FORD TRANSIT CONNECT

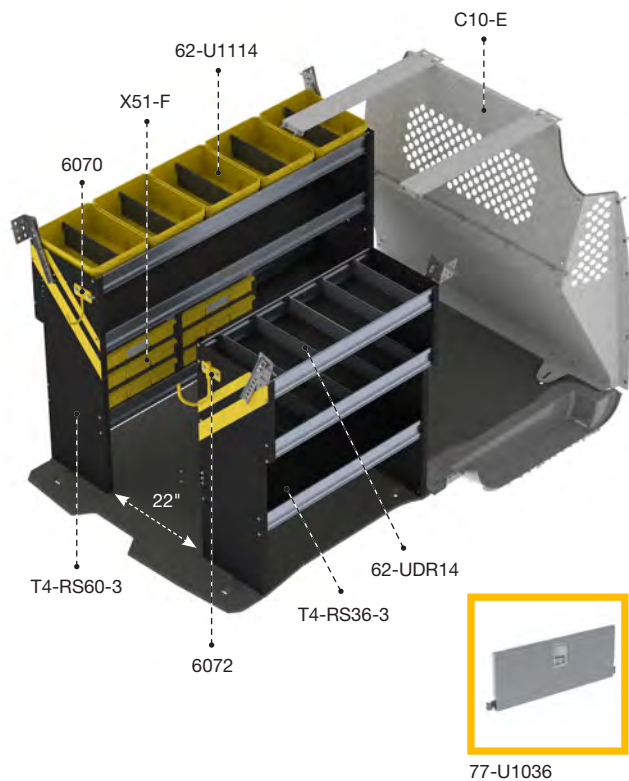


### TCS-11 ELECTRICAL

|         |         |          |
|---------|---------|----------|
| Steel   | 105"    | Standard |
| 223 lbs | 4.5 hrs | Yes      |

| Qty | Part #    | Description   |
|-----|-----------|---|
| 1   | 6070      | 6" Hook, 3" opening, painted                                  |
| 1   | 6072      | 8" Swivel hook, 4" opening, painted                           |
| 3   | 62-U1114  | 14" deep plastic bin  |
| 2   | 62-UDR14  | Set of 5 dividers for a 14" Shelf                             |
| 1   | 77-U1036  | Adjustable shelving door unit - 33" W - for 36" & 72" shelves |
| 1   | C10-E     | Contoured steel partition with perforated window              |
| 2   | T4-RS36-3 | Steel Shelving unit, 14" D x 36" W x 41.5" H                  |
| 2   | X51-F     | Compact 9-drawer unit   |

PACKAGES



### TCL-11 ELECTRICAL

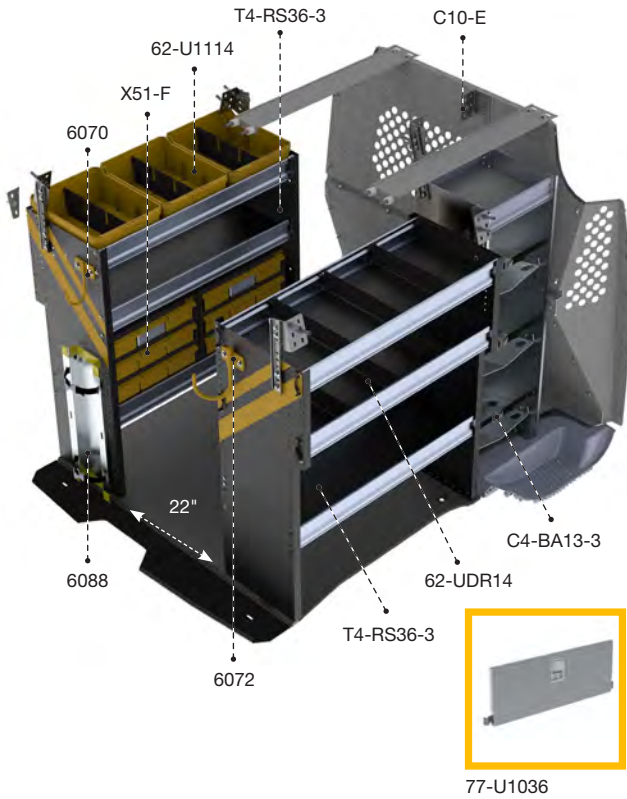
|         |         |          |
|---------|---------|----------|
| Steel   | 120.5"  | Standard |
| 164 lbs | 4.5 hrs | Yes      |

| Qty | Part #    | Description   |
|-----|-----------|---|
| 1   | 6070      | 6" Hook, 3" opening, painted                                  |
| 1   | 6072      | 8" Swivel hook, 4" opening, painted                           |
| 5   | 62-U1114  | 14" deep plastic bin  |
| 2   | 62-UDR14  | Set of 5 dividers for a 14" Shelf                             |
| 1   | 77-U1036  | Adjustable shelving door unit - 33" W - for 36" & 72" shelves |
| 1   | C10-E     | Contoured steel partition with perforated window              |
| 1   | T4-RS36-3 | Steel Shelving unit, 14" D x 36" W x 41.5" H                  |
| 1   | T4-RS60-3 | Steel Shelving unit, 14" D x 60" W x 41.5" H                  |
| 2   | X51-F     | Compact 9-drawer unit   |



## FORD TRANSIT CONNECT

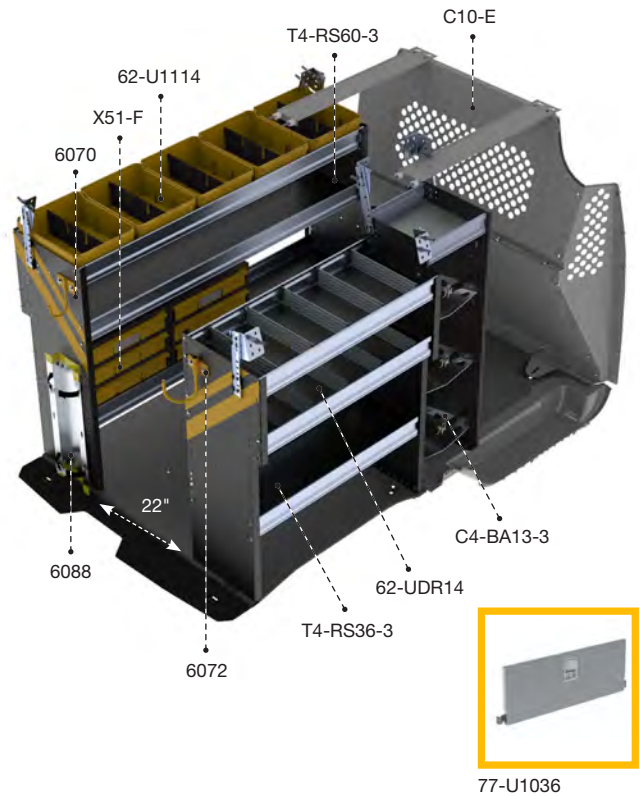
PACKAGES



### TCS-12 HVAC

|  |         |  |         |  |          |
|--|---------|--|---------|--|----------|
|  | Steel   |  | 105"    |  | Standard |
|  | 254 lbs |  | 5.3 hrs |  | Yes      |

| Qty | Part #           | Description   |
|-----|------------------|---|
| 1   | <b>C4-BA13-3</b> | 3 Tier refrigerant rack for large bottles                     |
| 1   | <b>6070</b>      | 6" Hook, 3" opening, painted                                  |
| 1   | <b>6072</b>      | 8" Swivel hook, 4" opening, painted                           |
| 1   | <b>6088</b>      | Large aluminum bottle holder, with two black nylon straps     |
| 3   | <b>62-U1114</b>  | 14" Deep plastic bin  |
| 2   | <b>62-UDR14</b>  | Set of 5 dividers for a 14" shelf                             |
| 1   | <b>77-U1036</b>  | Adjustable shelving door unit - 33" W - for 36" & 72" shelves |
| 1   | <b>C10-E</b>     | Contoured steel partition with perforated window              |
| 2   | <b>T4-RS36-3</b> | Steel shelving unit, 14" D x 36" W x 41.5" H                  |
| 2   | <b>X51-F</b>     | Compact 9-drawer unit   |



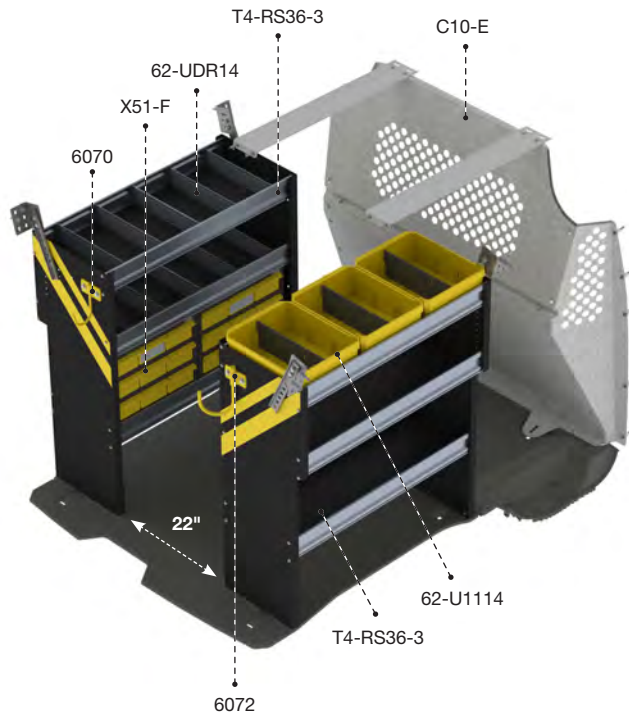
### TCL-12 HVAC

|  |         |  |         |  |          |
|--|---------|--|---------|--|----------|
|  | Steel   |  | 120.5"  |  | Standard |
|  | 273 lbs |  | 5.3 hrs |  | Yes      |

| Qty | Part #           | Description   |
|-----|------------------|---|
| 1   | <b>C4-BA13-3</b> | 3 Tier refrigerant rack for large bottles                     |
| 1   | <b>6070</b>      | 6" Hook, 3" opening, painted                                  |
| 1   | <b>6072</b>      | 8" Swivel hook, 4" opening, painted                           |
| 1   | <b>6088</b>      | Large aluminum bottle holder, with two black nylon straps     |
| 5   | <b>62-U1114</b>  | 14" Deep plastic bin  |
| 2   | <b>62-UDR14</b>  | Set of 5 dividers for a 14" shelf                             |
| 1   | <b>77-U1036</b>  | Adjustable shelving door unit - 33" W - for 36" & 72" shelves |
| 1   | <b>C10-E</b>     | Contoured steel partition with perforated window              |
| 1   | <b>T4-RS36-3</b> | Steel shelving unit, 14" D x 36" W x 41.5" H                  |
| 1   | <b>T4-RS60-3</b> | Steel Shelving unit, 14" D x 60" W x 41.5" H                  |
| 2   | <b>X51-F</b>     | Compact 9-drawer unit   |



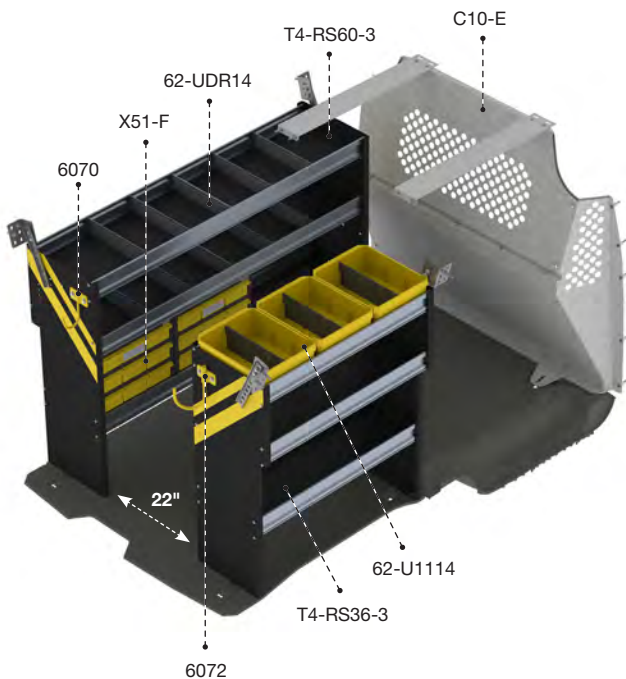
FORD TRANSIT CONNECT



### TCS-16 SERVICE

|  |         |  |       |  |          |
|--|---------|--|-------|--|----------|
|  | Steel   |  | 105"  |  | Standard |
|  | 217 lbs |  | 4 hrs |  | Yes      |

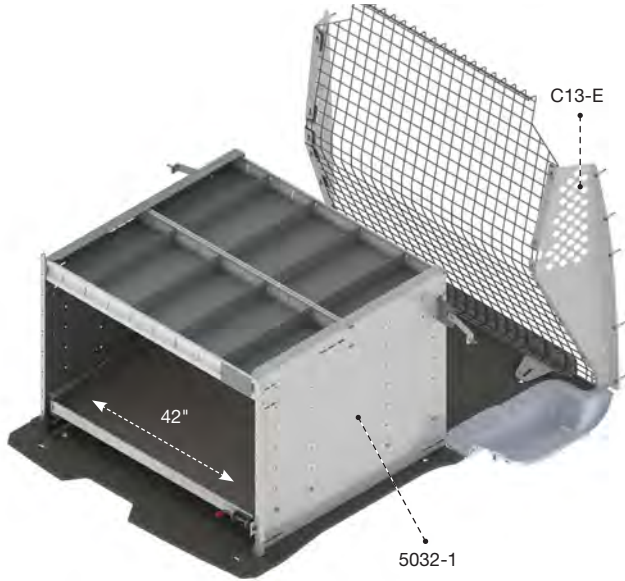
| Qty | Part #    | Description                                      |
|-----|-----------|--|
| 1   | 6070      | 6" Hook, 3" opening, painted                     |
| 1   | 6072      | 8" Swivel hook, 4" opening, painted              |
| 3   | 62-U1114  | 14" deep plastic bin                             |
| 2   | 62-UDR14  | Set of 5 dividers for a 14" Shelf                |
| 1   | C10-E     | Contoured steel partition with perforated window |
| 2   | T4-RS36-3 | Steel Shelving unit, 14" D x 36" W x 41.5" H     |
| 2   | X51-F     | Compact 9-drawer unit                            |



### TCL-16 SERVICE

|  |         |  |        |  |          |
|--|---------|--|--------|--|----------|
|  | Steel   |  | 120.5" |  | Standard |
|  | 232 lbs |  | 4 hrs  |  | Yes      |

| Qty | Part #    | Description                                      |
|-----|-----------|--|
| 1   | 6070      | 6" Hook, 3" opening, painted                     |
| 1   | 6072      | 8" Swivel hook, 4" opening, painted              |
| 3   | 62-U1114  | 14" deep plastic bin                             |
| 2   | 62-UDR14  | Set of 5 dividers for a 14" Shelf                |
| 1   | C10-E     | Contoured steel partition with perforated window |
| 1   | T4-RS36-3 | Steel Shelving unit, 14" D x 36" W x 41.5" H     |
| 1   | T4-RS60-3 | Steel Shelving unit, 14" D x 60" W x 41.5" H     |
| 2   | X51-F     | Compact 9-drawer unit                            |

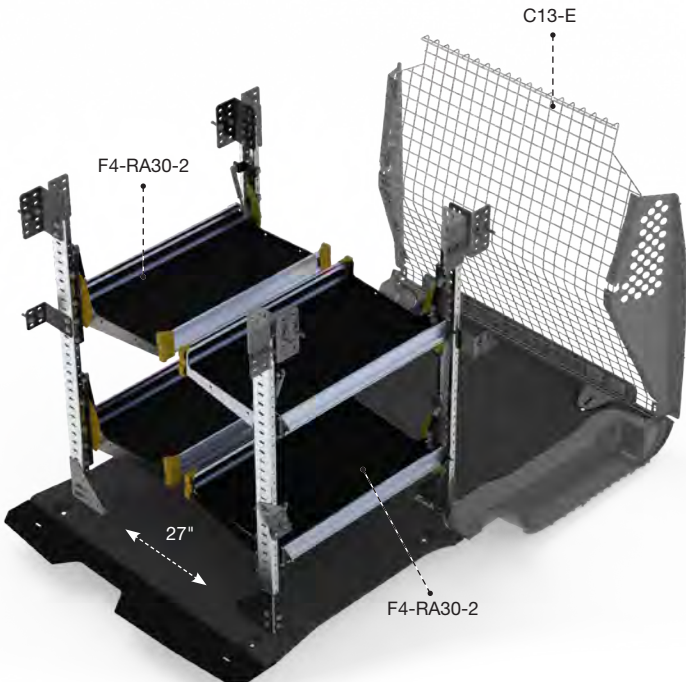


### TCS-19 DELIVERY

|          |         |          |
|----------|---------|----------|
| Aluminum | 105"    | Standard |
| 126 lbs  | 1.7 hrs | Yes      |

| Qty | Part #        | Description   |
|-----|---------------|---|
| 1   | <b>5032-1</b> | Axess tray with 1 shelf and 1 drawer, 38" D x 45" W x 30" H |
| 1   | <b>C13-E</b>  | Wire mesh partition   |

Install kit # 6472 can be purchased separately.



### TCL-19 DELIVERY

|          |         |          |
|----------|---------|----------|
| Aluminum | 120.5"  | Standard |
| 154 lbs  | 3.9 hrs | Yes      |

| Qty | Part #           | Description                                     |
|-----|------------------|---|
| 1   | <b>C13-E</b>     | Wire mesh partition                             |
| 2   | <b>F4-RA30-2</b> | Fold-away unit, 2 levels, 22" D x 30" W x 47" H |



SERVICE  
**TCL-16**

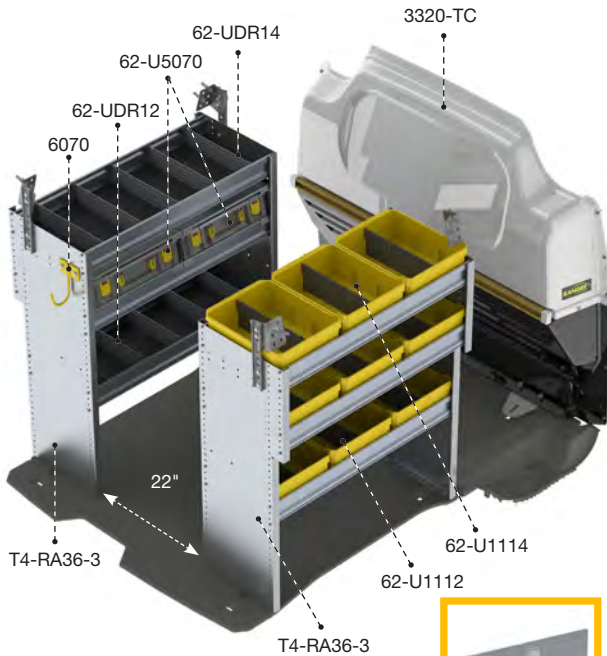
**FORD TRANSIT CONNECT**



## FORD TRANSIT CONNECT



PACKAGES

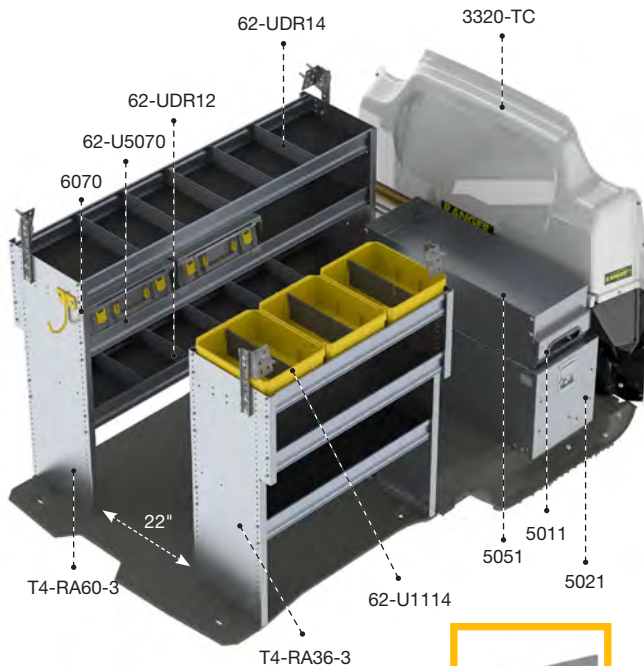


77-U1036

### TCS-27 ALUMINUM

|          |         |          |
|----------|---------|----------|
| Aluminum | 105"    | Standard |
| 161 lbs  | 4.3 hrs | Yes      |

| Qty | Part #           | Description   |
|-----|------------------|---|
| 1   | <b>3320-TC</b>   | Max View countoured safety partition                          |
| 2   | <b>62-U5070</b>  | Partskeeper carry case with holder                            |
| 1   | <b>6070</b>      | 6" Hook, 3" opening, painted                                  |
| 3   | <b>62-U1112</b>  | 12" Deep plastic bin  |
| 6   | <b>62-U1114</b>  | 14" Deep plastic bin  |
| 1   | <b>62-UDR12</b>  | Set of 5 dividers for a 12" shelf                             |
| 1   | <b>62-UDR14</b>  | Set of 5 dividers for a 14" shelf                             |
| 1   | <b>77-U1036</b>  | Adjustable shelving door unit - 33" W - for 36" & 72" shelves |
| 2   | <b>T4-RA36-3</b> | Aluminum shelving unit, 14" D x 36" W x 41.5" H               |



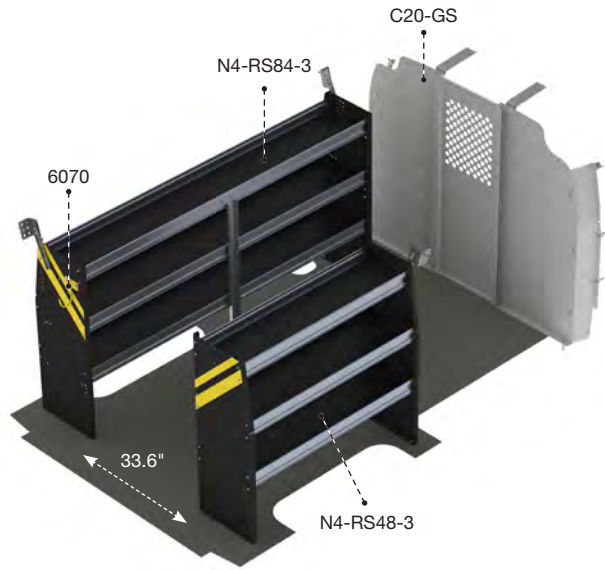
77-U1036

### TCL-27 ALUMINUM

|          |        |          |
|----------|--------|----------|
| Aluminum | 120.5" | Standard |
| 240 lbs  | 6 hrs  | Yes      |

| Qty | Part #           | Description   |
|-----|------------------|---|
| 1   | <b>3320-TC</b>   | Max View countoured safety partition                          |
| 1   | <b>5011</b>      | Partslider 36" D  |
| 1   | <b>5021</b>      | Tool drawer 36" D x 14" W x 16" H                             |
| 1   | <b>5051</b>      | Top edge  |
| 2   | <b>62-U5070</b>  | Partskeeper carry case with holder                            |
| 1   | <b>6070</b>      | 6" Hook, 3" opening, painted                                  |
| 3   | <b>62-U1114</b>  | 14" Deep plastic bin  |
| 1   | <b>62-UDR12</b>  | Set of 5 dividers for a 12" shelf                             |
| 1   | <b>62-UDR14</b>  | Set of 5 dividers for a 14" shelf                             |
| 1   | <b>77-U1036</b>  | Adjustable shelving door unit - 33" W - for 36" & 72" shelves |
| 1   | <b>T4-RA36-3</b> | Aluminum shelving unit, 14" D x 36" W x 41.5" H               |
| 1   | <b>T4-RA60-3</b> | Aluminum shelving unit, 14" D x 60" W x 41.5" H               |



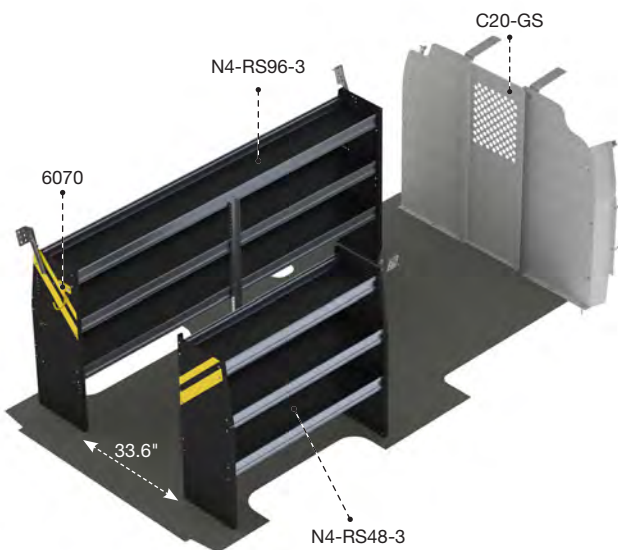


## GSR-10 CONTRACTOR

|         |         |          |
|---------|---------|----------|
| Steel   | 135"    | Standard |
| 203 lbs | 3.8 hrs | Yes      |

| Qty | Part      | Description  |
|-----|-----------|--|
| 1   | 6070      | 6" Hook, 3" opening, painted                               |
| 1   | C20-GS    | Straight steel partition with perforated window, no access |
| 1   | N4-RS48-3 | Steel shelving unit, 14" D x 48" W x 44.5" H               |
| 1   | N4-RS84-3 | Steel shelving unit, 14" D x 84" W x 44.5" H               |

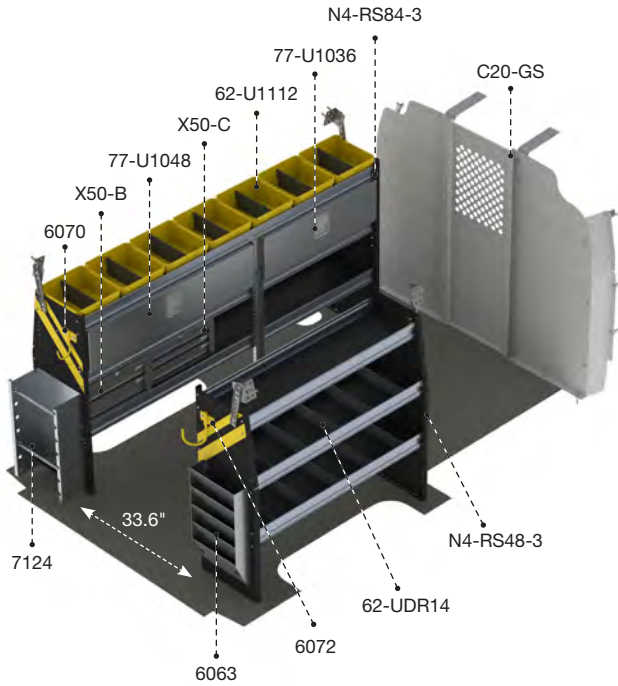
PACKAGES



## GSL-10 CONTRACTOR

|         |         |          |
|---------|---------|----------|
| Steel   | 155"    | Standard |
| 211 lbs | 3.8 hrs | Yes      |

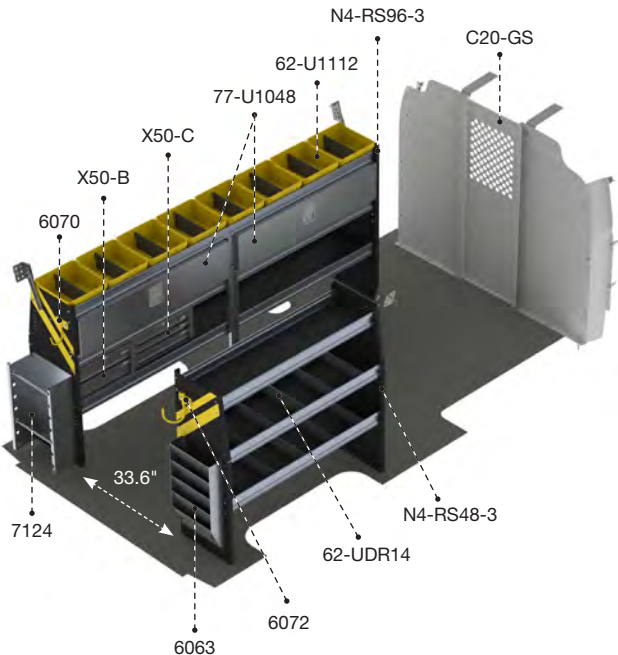
| Qty | Part      | Description  |
|-----|-----------|--|
| 1   | 6070      | 6" Hook, 3" opening, painted                               |
| 1   | C20-GS    | Straight steel partition with perforated window, no access |
| 1   | N4-RS48-3 | Steel shelving unit, 14" D x 48" W x 44.5" H               |
| 1   | N4-RS96-3 | Steel shelving unit, 14" D x 96" W x 44.5" H               |



### GSR-11 ELECTRICAL

|         |         |          |
|---------|---------|----------|
| Steel   | 135"    | Standard |
| 311 lbs | 6.3 hrs | Yes      |

| Qty | Part      | Description   |
|-----|-----------|---|
| 1   | 6063      | Paper holder, extra deep, 5 slots                             |
| 1   | 6070      | 6" Hook, 3" opening, painted                                  |
| 1   | 6072      | 8" Swivel hook, 4" opening, painted                           |
| 1   | 7124      | Reel holder with two 5/8" diameter rods                       |
| 7   | 62-U1112  | 12" deep plastic bin  |
| 2   | 62-UDR14  | Set of 5 dividers for a 14" Shelf                             |
| 1   | 77-U1036  | Adjustable shelving door unit - 33" W - for 36" & 72" shelves |
| 1   | 77-U1048  | Adjustable shelving door unit - 45" W - for 48" & 96" shelves |
| 1   | C20-GS    | Straight steel partition with perforated window, no access    |
| 1   | N4-RS48-3 | Steel shelving unit, 14" D x 48" W x 44.5" H                  |
| 1   | N4-RS84-3 | Steel shelving unit, 14" D x 84" W x 44.5" H                  |
| 1   | X50-B     | Compact 2-drawer unit   |
| 1   | X50-C     | Compact 3-drawer unit   |



### GSL-11 ELECTRICAL

|         |         |          |
|---------|---------|----------|
| Steel   | 155"    | Standard |
| 322 lbs | 6.3 hrs | Yes      |

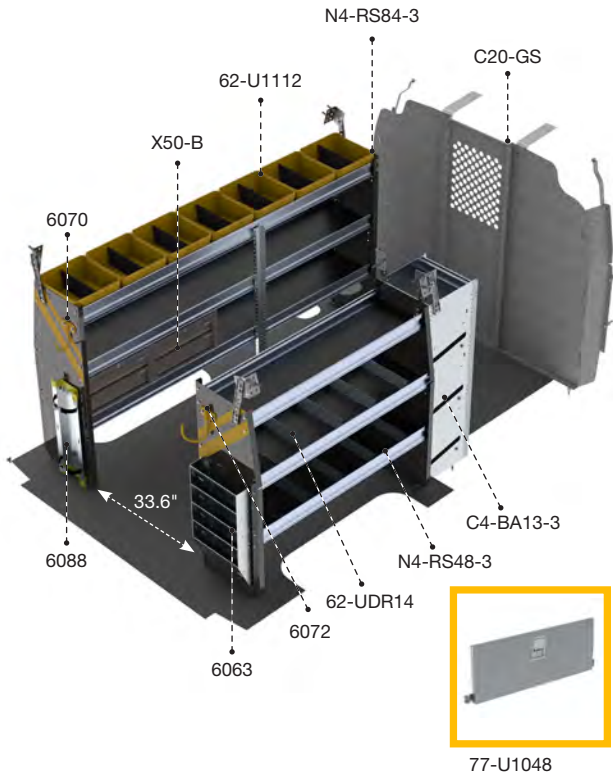
| Qty | Part      | Description   |
|-----|-----------|---|
| 1   | 6063      | Paper holder, extra deep, 5 slots                             |
| 1   | 6070      | 6" Hook, 3" opening, painted                                  |
| 1   | 6072      | 8" Swivel hook, 4" opening, painted                           |
| 1   | 7124      | Reel holder with two 5/8" diameter rods                       |
| 8   | 62-U1112  | 12" deep plastic bin  |
| 2   | 62-UDR14  | Set of 5 dividers for a 14" Shelf                             |
| 2   | 77-U1048  | Adjustable shelving door unit - 45" W - for 48" & 96" shelves |
| 1   | C20-GS    | Straight steel partition with perforated window, no access    |
| 1   | N4-RS48-3 | Steel shelving unit, 14" D x 48" W x 44.5" H                  |
| 1   | N4-RS96-3 | Steel shelving unit, 14" D x 96" W x 44.5" H                  |
| 1   | X50-B     | Compact 2-drawer unit   |
| 1   | X50-C     | Compact 3-drawer unit   |



# HVAC GSR-12

**GMC SAVANA**

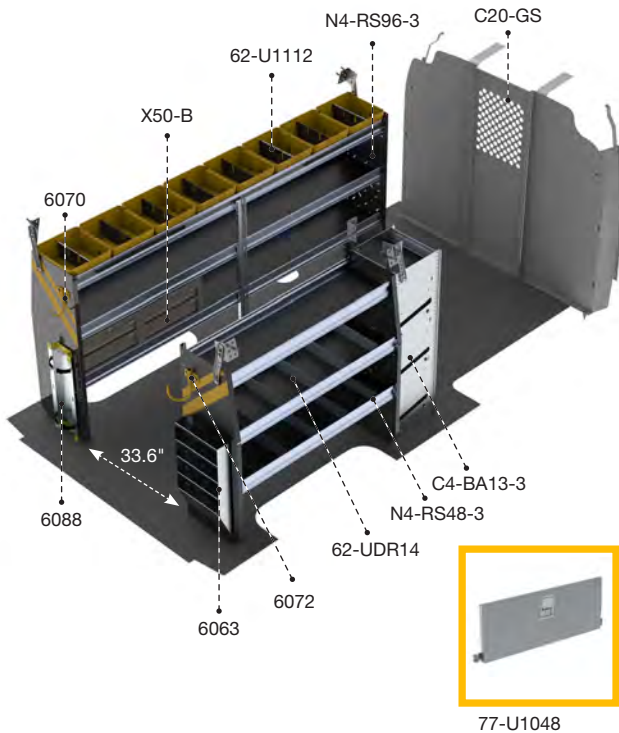




### GSR-12 HVAC

|         |         |          |
|---------|---------|----------|
| Steel   | 135"    | Standard |
| 320 lbs | 6.1 hrs | Yes      |

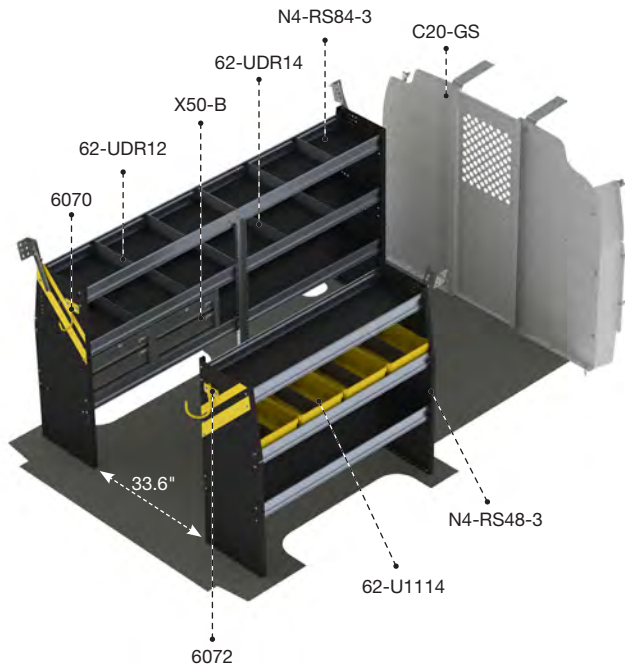
| Qty | Part             | Description   |
|-----|------------------|---|
| 1   | <b>C4-BA13-3</b> | 3 Tier refrigerant rack for large bottles                     |
| 1   | <b>6063</b>      | Paper holder, extra deep, 5 slots                             |
| 1   | <b>6070</b>      | 6" Hook, 3" opening, painted                                  |
| 1   | <b>6072</b>      | 8" Swivel hook, 4" opening, painted                           |
| 1   | <b>6088</b>      | Large aluminum bottle holder, with two black nylon straps     |
| 7   | <b>62-U1112</b>  | 12" deep plastic bin  |
| 2   | <b>62-UDR14</b>  | Set of 5 dividers for a 14" Shelf                             |
| 1   | <b>77-U1048</b>  | Adjustable shelving door unit - 45" W - for 48" & 96" shelves |
| 1   | <b>C20-GS</b>    | Straight steel partition with perforated window, no access    |
| 1   | <b>N4-RS48-3</b> | Steel shelving unit, 14" D x 48" W x 44.5" H                  |
| 1   | <b>N4-RS84-3</b> | Steel shelving unit, 14" D x 84" W x 44.5" H                  |
| 2   | <b>X50-B</b>     | Compact 2-drawer unit   |



### GSL-12 HVAC

|         |         |          |
|---------|---------|----------|
| Steel   | 155"    | Standard |
| 330 lbs | 6.1 hrs | Yes      |

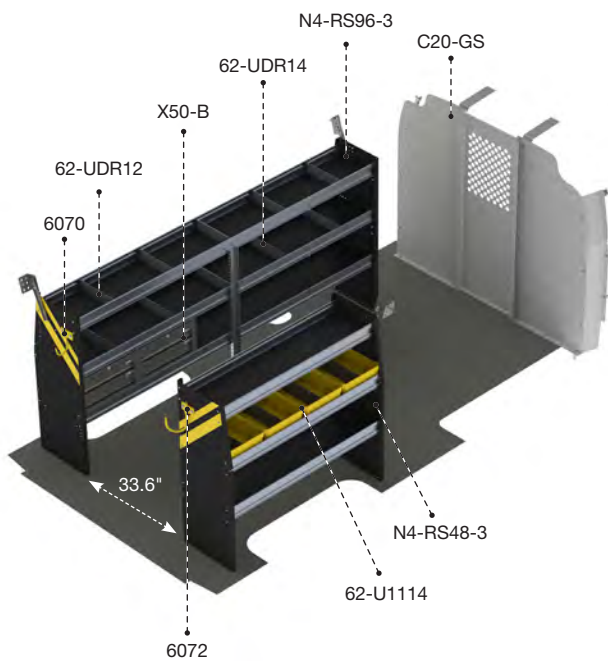
| Qty | Part             | Description   |
|-----|------------------|---|
| 1   | <b>C4-BA13-3</b> | 3 Tier refrigerant rack for large bottles                     |
| 1   | <b>6063</b>      | Paper holder, extra deep, 5 slots                             |
| 1   | <b>6070</b>      | 6" Hook, 3" opening, painted                                  |
| 1   | <b>6072</b>      | 8" Swivel hook, 4" opening, painted                           |
| 1   | <b>6088</b>      | Large aluminum bottle holder, with two black nylon straps     |
| 8   | <b>62-U1112</b>  | 12" deep plastic bin  |
| 2   | <b>62-UDR14</b>  | Set of 5 dividers for a 14" Shelf                             |
| 1   | <b>77-U1048</b>  | Adjustable shelving door unit - 45" W - for 48" & 96" shelves |
| 1   | <b>C20-GS</b>    | Straight steel partition with perforated window, no access    |
| 1   | <b>N4-RS48-3</b> | Steel shelving unit, 14" D x 48" W x 44.5" H                  |
| 1   | <b>N4-RS96-3</b> | Steel shelving unit, 14" D x 96" W x 44.5" H                  |
| 2   | <b>X50-B</b>     | Compact 2-drawer unit   |



## GSR-16 SERVICE

|         |         |          |
|---------|---------|----------|
| Steel   | 135"    | Standard |
| 270 lbs | 4.6 hrs | Yes      |

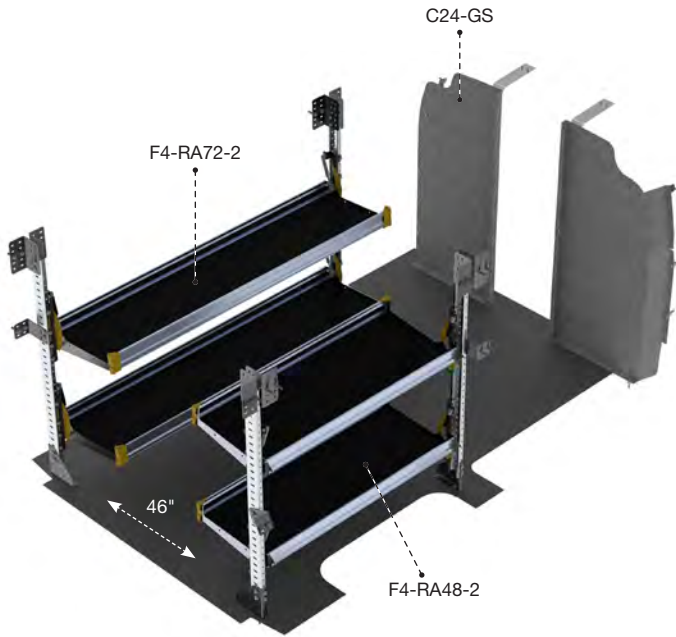
| Qty | Part      | Description  |
|-----|-----------|--|
| 1   | 6070      | 6" Hook, 3" opening, painted                               |
| 1   | 6072      | 8" Swivel hook, 4" opening, painted                        |
| 4   | 62-U1114  | 14" deep plastic bin                                       |
| 1   | 62-UDR12  | Set of 5 dividers for a 12" Shelf                          |
| 1   | 62-UDR14  | Set of 5 dividers for a 14" Shelf                          |
| 1   | C20-GS    | Straight steel partition with perforated window, no access |
| 1   | N4-RS48-3 | Steel shelving unit, 14" D x 48" W x 44.5" H               |
| 1   | N4-RS84-3 | Steel shelving unit, 14" D x 84" W x 44.5" H               |
| 2   | X50-B     | Compact 2-drawer unit                                      |



## GSL-16 SERVICE

|         |         |          |
|---------|---------|----------|
| Steel   | 155"    | Standard |
| 278 lbs | 4.6 hrs | Yes      |

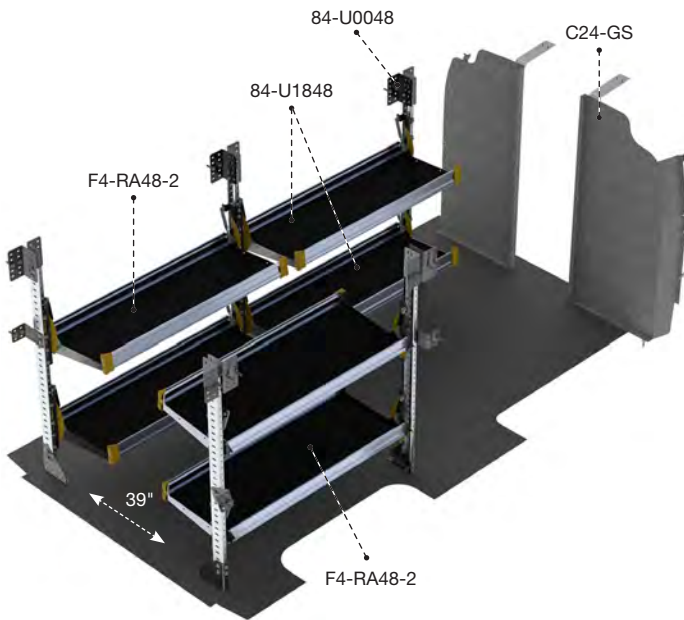
| Qty | Part      | Description  |
|-----|-----------|--|
| 1   | 6070      | 6" Hook, 3" opening, painted                               |
| 1   | 6072      | 8" Swivel hook, 4" opening, painted                        |
| 4   | 62-U1114  | 14" deep plastic bin                                       |
| 1   | 62-UDR12  | Set of 5 dividers for a 12" Shelf                          |
| 1   | 62-UDR14  | Set of 5 dividers for a 14" Shelf                          |
| 1   | C20-GS    | Straight steel partition with perforated window, no access |
| 1   | N4-RS48-3 | Steel shelving unit, 14" D x 48" W x 44.5" H               |
| 1   | N4-RS96-3 | Steel shelving unit, 14" D x 96" W x 44.5" H               |
| 2   | X50-B     | Compact 2-drawer unit                                      |



### GSR-19 DELIVERY

|          |         |          |
|----------|---------|----------|
| Aluminum | 135"    | Standard |
| 195 lbs  | 4.2 hrs | Yes      |

| Qty | Part             | Description                                     |
|-----|------------------|---|
| 1   | <b>C24-GS</b>    | Straight walk through steel partition           |
| 1   | <b>F4-RA72-2</b> | Fold-away unit, 2 levels, 22" D x 72" W x 47" H |
| 1   | <b>F4-RA48-2</b> | Fold-away unit, 2 levels, 22" D x 48" W x 47" H |



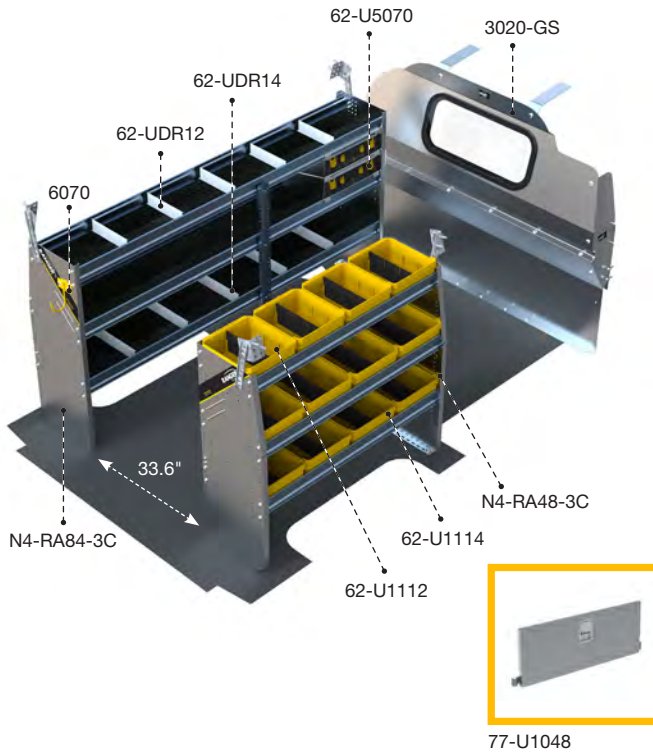
### GSL-19 DELIVERY

|          |         |          |
|----------|---------|----------|
| Aluminum | 155"    | Standard |
| 239 lbs  | 5.3 hrs | Yes      |

| Qty | Part             | Description                                     |
|-----|------------------|---|
| 1   | <b>84-U0048</b>  | Post assembly for fold-away shelving, 48"       |
| 2   | <b>84-U1848</b>  | Fold-away shelf tray, 18" D x 48" W             |
| 1   | <b>C24-GS</b>    | Straight walk through steel partition           |
| 2   | <b>F4-RA48-2</b> | Fold-away unit, 2 levels, 22" D x 48" W x 47" H |



**GMC SAVANA**

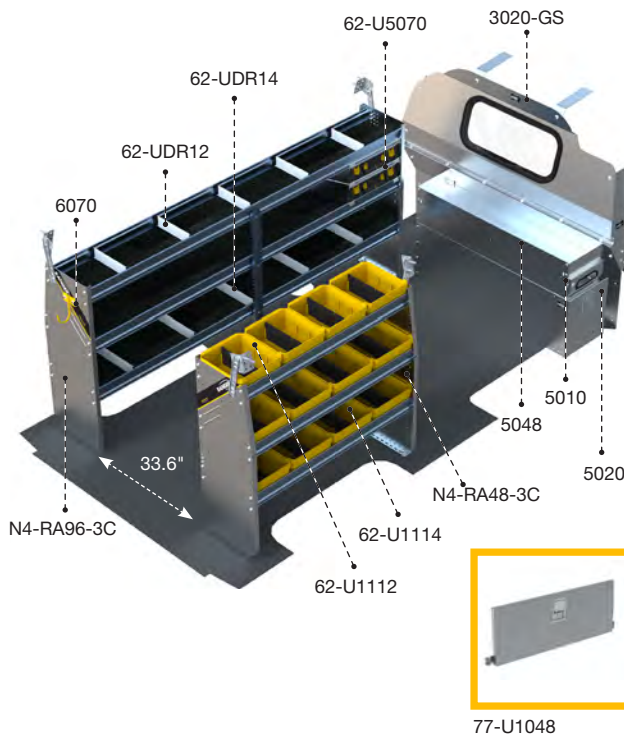


## GSR-27 ALUMINUM

|          |         |          |
|----------|---------|----------|
| Aluminum | 135"    | Standard |
| 205 lbs  | 4.4 hrs | Yes      |

| Qty | Part              | Description   |
|-----|-------------------|---|
| 1   | <b>3020-GS</b>    | Countoured safety partition with glass window                 |
| 2   | <b>62-U5070</b>   | Partskeeper carry case with holder                            |
| 1   | <b>6070</b>       | 6" Hook, 3" opening, painted                                  |
| 4   | <b>62-U1112</b>   | 12" deep plastic bin  |
| 8   | <b>62-U1114</b>   | 14" deep plastic bin  |
| 1   | <b>62-UDR12</b>   | Set of 5 dividers for a 12" Shelf                             |
| 1   | <b>62-UDR14</b>   | Set of 5 dividers for a 14" Shelf                             |
| 1   | <b>77-U1048</b>   | Adjustable shelving door unit - 45" W - for 48" & 96" shelves |
| 1   | <b>N4-RA48-3C</b> | Composite Aluminum shelving unit, 14" D x 48" W x 44.5" H     |
| 1   | <b>N4-RA84-3C</b> | Composite Aluminum shelving unit, 14" D x 84" W x 44.5" H     |

PACKAGES



## GSL-27 ALUMINUM

|          |         |          |
|----------|---------|----------|
| Aluminum | 155"    | Standard |
| 311 lbs  | 6.1 hrs | Yes      |

| Qty | Part              | Description   |
|-----|-------------------|---|
| 1   | <b>3020-GS</b>    | Countoured safety partition with glass window                 |
| 1   | <b>5010</b>       | Partslider drawer 48" D                                       |
| 1   | <b>5020</b>       | Tool Drawer 48" D x 14" W x 16" H                             |
| 1   | <b>5048</b>       | Top edge  |
| 2   | <b>62-U5070</b>   | Partskeeper carry case with holder                            |
| 1   | <b>6070</b>       | 6" Hook, 3" opening, painted                                  |
| 4   | <b>62-U1112</b>   | 12" deep plastic bin  |
| 8   | <b>62-U1114</b>   | 14" deep plastic bin  |
| 1   | <b>62-UDR12</b>   | Set of 5 dividers for a 12" Shelf                             |
| 1   | <b>62-UDR14</b>   | Set of 5 dividers for a 14" Shelf                             |
| 1   | <b>77-U1048</b>   | Adjustable shelving door unit - 45" W - for 48" & 96" shelves |
| 1   | <b>N4-RA48-3C</b> | Composite Aluminum shelving unit, 14" D x 48" W x 44.5" H     |
| 1   | <b>N4-RA96-3C</b> | Composite Aluminum shelving unit, 14" D x 96" W x 44.5" H     |

## MERCEDES-BENZ METRIS



PACKAGES

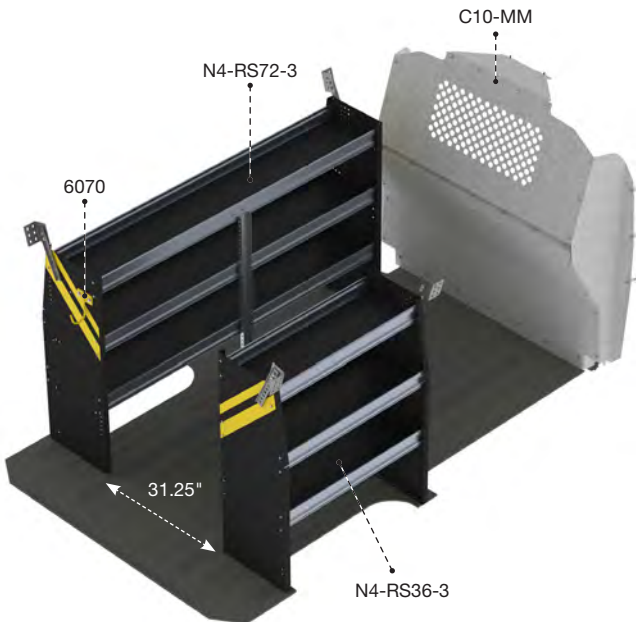


### MMR-10 CONTRACTOR

|         |            |          |
|---------|------------|----------|
| Steel   | 126", 135" | Standard |
| 164 lbs | 3.2 hrs    | Yes      |

| Qty | Part #    | Description                                      |
|-----|-----------|--|
| 1   | 6070      | 6" Hook, 3" opening, painted                     |
| 1   | C10-MM    | Contoured steel partition with perforated window |
| 2   | N4-RS36-3 | Steel shelving units, 14" D x 36" W x 46.5" H    |

The Base package is designed to fit in a Metris with dual sliding doors.



### MML-10 CONTRACTOR

|         |            |          |
|---------|------------|----------|
| Steel   | 126", 135" | Standard |
| 189 lbs | 3.3 hrs    | Yes      |

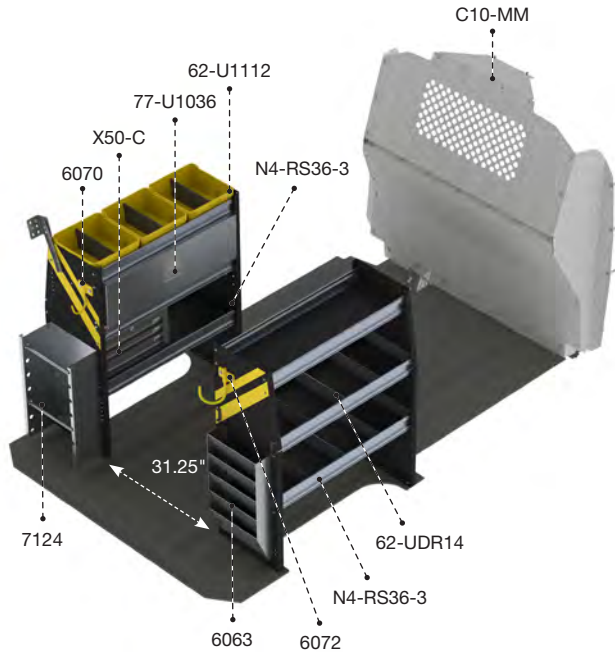
| Qty | Part #    | Description                                      |
|-----|-----------|--|
| 1   | 6070      | 6" Hook, 3" opening, painted                     |
| 1   | C10-MM    | Contoured steel partition with perforated window |
| 1   | N4-RS36-3 | Steel shelving unit, 14" D x 36" W x 46.5" H     |
| 1   | N4-RS72-3 | Steel shelving unit, 14" D x 72" W x 46.5" H     |

The Deluxe package is designed to fit in a Metris with a single sliding door.





MERCEDES-BENZ METRIS

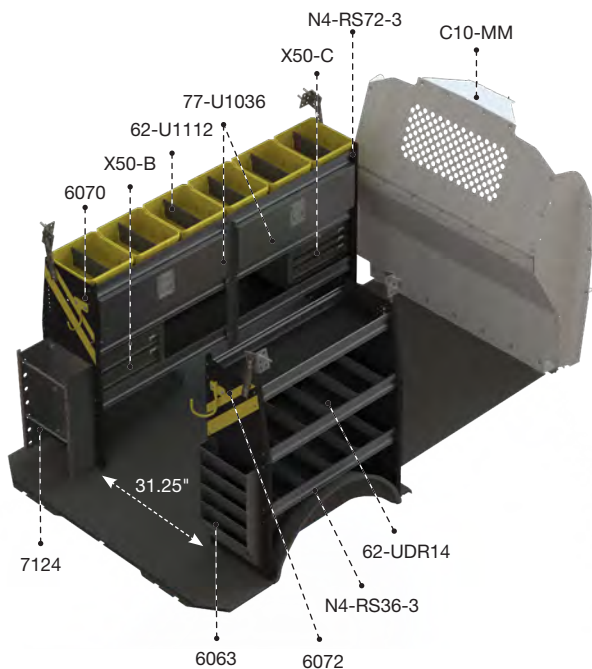


### MMR-11 ELECTRICAL

|  |         |            |          |
|--|---------|------------|----------|
|  | Steel   | 126", 135" | Standard |
|  | 229 lbs | 4.9 hrs    | Yes      |

| Qty | Part #    | Description   |
|-----|-----------|---|
| 1   | 6063      | Paper holder, extra deep, 5 slots                             |
| 1   | 6070      | 6" Hook, 3" opening, painted                                  |
| 1   | 6072      | 8" Swivel hook, 4" opening, painted                           |
| 3   | 62-U1112  | 12" Deep plastic bin  |
| 2   | 62-UDR14  | Set of 5 dividers for a 14" shelf                             |
| 1   | 7124      | Reel holder with two 5/8" diameter rods                       |
| 1   | 77-U1036  | Adjustable shelving door unit - 33" W - for 36" & 72" shelves |
| 1   | C10-MM    | Contoured steel partition with perforated window              |
| 2   | N4-RS36-3 | Steel shelving units, 14" D x 36" W x 46.5" H                 |
| 1   | X50-C     | Compact 3-drawer unit   |

The Base package is designed to fit in a Metris with dual sliding doors.

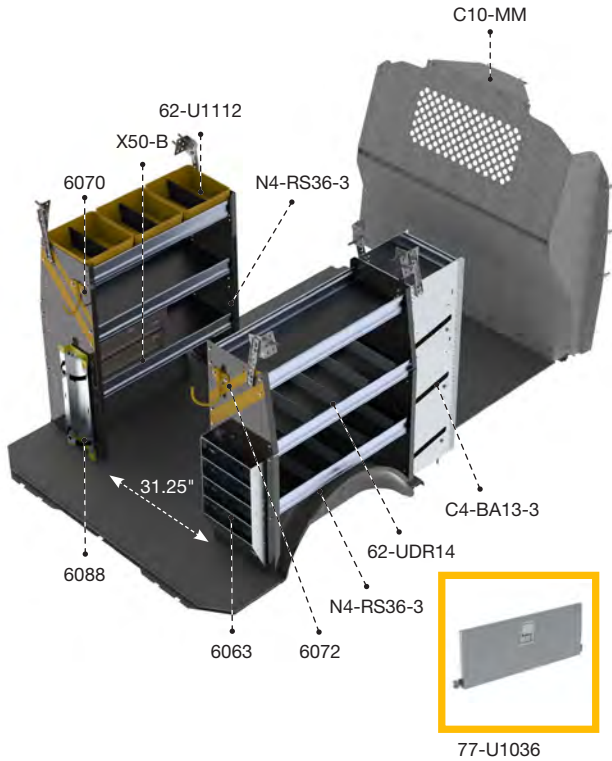


### MML-11 ELECTRICAL

|  |         |            |          |
|--|---------|------------|----------|
|  | Steel   | 126", 135" | Standard |
|  | 293 lbs | 5.8 hrs    | Yes      |

| Qty | Part #    | Description   |
|-----|-----------|---|
| 1   | 6063      | Paper holder, extra deep, 5 slots                             |
| 1   | 6070      | 6" Hook, 3" opening, painted                                  |
| 1   | 6072      | 8" Swivel hook, 4" opening, painted                           |
| 6   | 62-U1112  | 12" Deep plastic bin  |
| 2   | 62-UDR14  | Set of 5 dividers for a 14" shelf                             |
| 1   | 7124      | Reel holder with two 5/8" diameter rods                       |
| 2   | 77-U1036  | Adjustable shelving door unit - 33" W - for 36" & 72" shelves |
| 1   | C10-MM    | Contoured steel partition with perforated window              |
| 1   | N4-RS36-3 | Steel shelving unit, 14" D x 36" W x 44.5" H                  |
| 1   | N4-RS72-3 | Steel shelving unit, 14" D x 72" W x 44.5" H                  |
| 1   | X50-B     | Compact 2-drawer unit   |
| 1   | X50-C     | Compact 3-drawer unit   |

The Deluxe package is designed to fit in a Metris with a single sliding door.

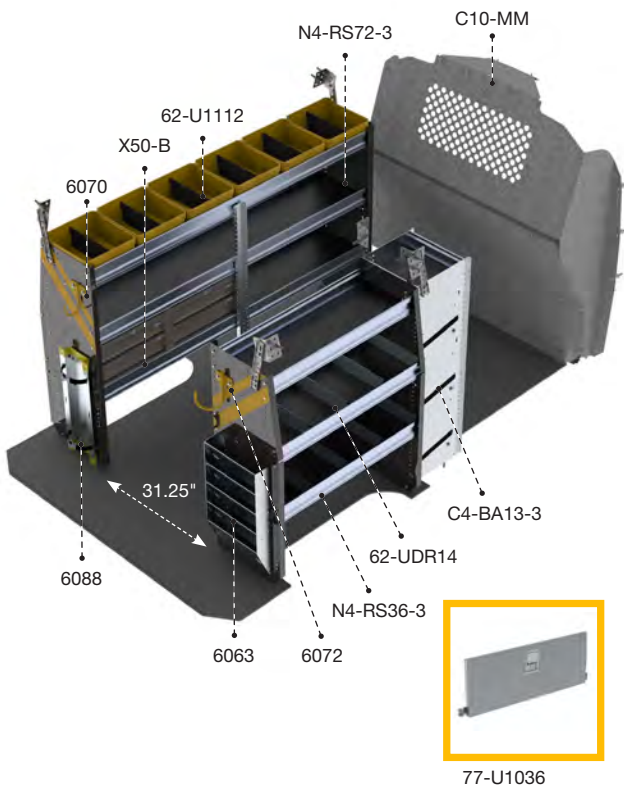


### MMR-12 HVAC

|  |         |  |            |  |          |
|--|---------|--|------------|--|----------|
|  | Steel   |  | 126", 135" |  | Standard |
|  | 246 lbs |  | 5.2 hrs    |  | Yes      |

| Qty | Part #           | Description   |
|-----|------------------|---|
| 1   | <b>C4-BA13-3</b> | 3 Tier refrigerant rack for large bottles                     |
| 1   | <b>6063</b>      | Paper holder, extra deep, 5 slots                             |
| 1   | <b>6070</b>      | 6" Hook, 3" opening, painted                                  |
| 1   | <b>6072</b>      | 8" Swivel hook, 4" opening, painted                           |
| 1   | <b>6088</b>      | Large aluminum bottle holder, with two black nylon straps     |
| 3   | <b>62-U1112</b>  | 12" deep plastic bin  |
| 2   | <b>62-UDR14</b>  | Set of 5 dividers for a 14" Shelf                             |
| 1   | <b>77-U1036</b>  | Adjustable shelving door unit - 33" W - for 36" & 72" shelves |
| 1   | <b>C10-MM</b>    | Contoured steel partition with perforated window              |
| 2   | <b>N4-RS36-3</b> | Steel shelving units, 14" D x 36" W x 44.5" H                 |
| 1   | <b>X50-B</b>     | 2 Drawer Cabinet  |

The Base package is designed to fit in a Metris with dual sliding doors.



### MML-12 HVAC

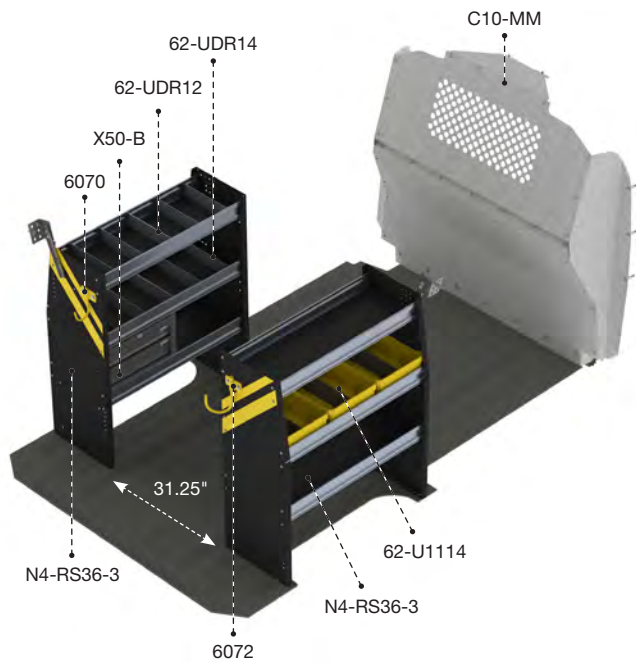
|  |         |  |            |  |          |
|--|---------|--|------------|--|----------|
|  | Steel   |  | 126", 135" |  | Standard |
|  | 303 lbs |  | 5.6 hrs    |  | Yes      |

| Qty | Part #           | Description   |
|-----|------------------|---|
| 1   | <b>C4-BA13-3</b> | 3 Tier refrigerant rack for large bottles                     |
| 1   | <b>6063</b>      | Paper holder, extra deep, 5 slots                             |
| 1   | <b>6070</b>      | 6" Hook, 3" opening, painted                                  |
| 1   | <b>6072</b>      | 8" Swivel hook, 4" opening, painted                           |
| 1   | <b>6088</b>      | Large aluminum bottle holder, with two black nylon straps     |
| 6   | <b>62-U1112</b>  | 12" deep plastic bin  |
| 2   | <b>62-UDR14</b>  | Set of 5 dividers for a 14" Shelf                             |
| 1   | <b>77-U1036</b>  | Adjustable shelving door unit - 33" W - for 36" & 72" shelves |
| 1   | <b>C10-MM</b>    | Contoured steel partition with perforated window              |
| 1   | <b>N4-RS36-3</b> | Steel shelving unit, 14" D x 36" W x 44.5" H                  |
| 1   | <b>N4-RS72-3</b> | Steel shelving unit, 14" D x 72" W x 44.5" H                  |
| 2   | <b>X50-B</b>     | 2 Drawer Cabinet  |

The Deluxe package is designed to fit in a Metris with a single sliding door.



MERCEDES-BENZ METRIS

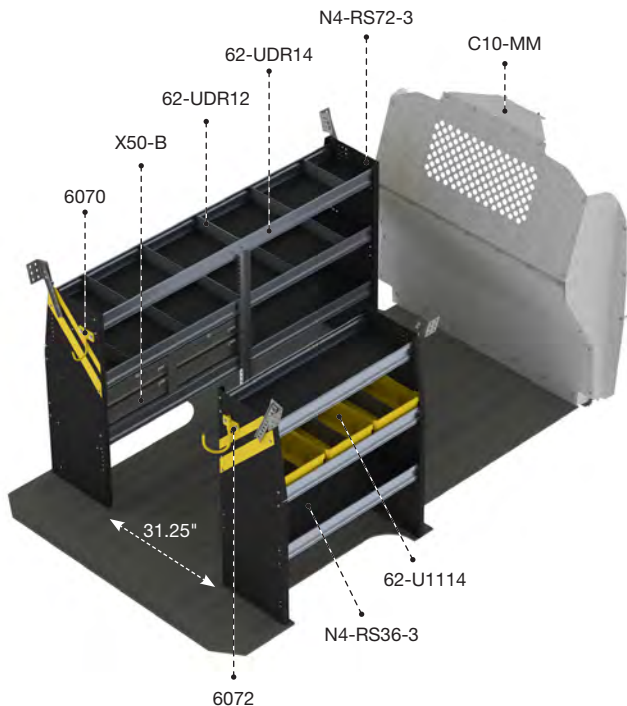


### MMR-16 SERVICE

|  |         |  |            |  |          |
|--|---------|--|------------|--|----------|
|  | Steel   |  | 126", 135" |  | Standard |
|  | 203 lbs |  | 3.7 hrs    |  | Yes      |

| Qty | Part #    | Description                                      |
|-----|-----------|--|
| 1   | 6070      | 6" Hook, 3" opening, painted                     |
| 1   | 6072      | 8" Swivel hook, 4" opening, painted              |
| 3   | 62-U1114  | 14" Deep plastic bin                             |
| 1   | 62-UDR12  | Set of 5 dividers for a 12" shelf                |
| 1   | 62-UDR14  | Set of 5 dividers for a 14" shelf                |
| 1   | C10-MM    | Contoured steel partition with perforated window |
| 2   | N4-RS36-3 | Steel shelving units, 14" D x 36" W x 44.5" H    |
| 1   | X50-B     | Compact 2-drawer unit                            |

The Base package is designed to fit in a Metris with dual sliding doors.



### MML-16 SERVICE

|  |         |  |            |  |          |
|--|---------|--|------------|--|----------|
|  | Steel   |  | 126", 135" |  | Standard |
|  | 254 lbs |  | 4.1 hrs    |  | Yes      |

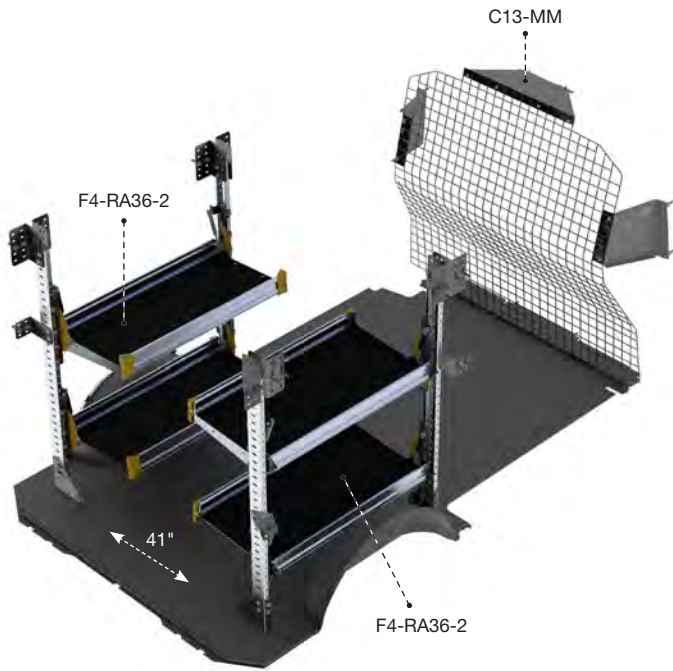
| Qty | Part #    | Description                                      |
|-----|-----------|--|
| 1   | 6070      | 6" Hook, 3" opening, painted                     |
| 1   | 6072      | 8" Swivel hook, 4" opening, painted              |
| 3   | 62-U1114  | 14" Deep plastic bin                             |
| 1   | 62-UDR12  | Set of 5 dividers for a 12" shelf                |
| 1   | 62-UDR14  | Set of 5 dividers for a 14" shelf                |
| 1   | C10-MM    | Contoured steel partition with perforated window |
| 1   | N4-RS36-3 | Steel shelving unit, 14" D x 36" W x 44.5" H     |
| 1   | N4-RS72-3 | Steel shelving unit, 14" D x 72" W x 44.5" H     |
| 2   | X50-B     | Compact 2-drawer unit                            |

The Deluxe package is designed to fit in a Metris with a single sliding door.

## MERCEDES-BENZ METRIS



PACKAGES



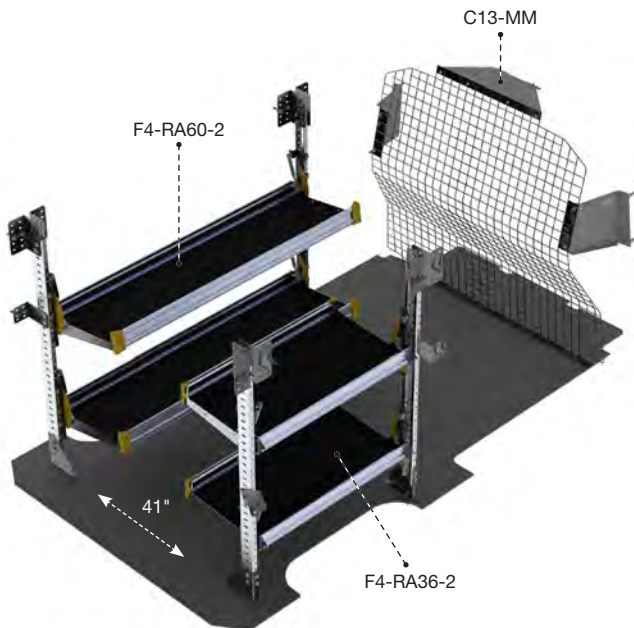
### MMR-19

#### DELIVERY

|          |            |          |
|----------|------------|----------|
| Aluminum | 126", 135" | Standard |
| 159 lbs  | 4.4 hrs    | Yes      |

| Qty | Part #           | Description                                     |
|-----|------------------|---|
| 1   | <b>C13-MM</b>    | Wire mesh partition                             |
| 2   | <b>F4-RA36-2</b> | Fold-away unit, 2 levels, 22" D x 36" W x 47" H |

The Base package is designed to fit in a Metris with dual sliding doors.



### MML-19

#### DELIVERY

|          |            |          |
|----------|------------|----------|
| Aluminum | 126", 135" | Standard |
| 171 lbs  | 4.4 hrs    | Yes      |

| Qty | Part #           | Description                                     |
|-----|------------------|---|
| 1   | <b>C13-MM</b>    | Wire mesh partition                             |
| 1   | <b>F4-RA60-2</b> | Fold-away unit, 2 levels, 22" D x 60" W x 47" H |
| 1   | <b>F4-RA36-2</b> | Fold-away unit, 2 levels, 22" D x 36" W x 47" H |

The Deluxe package is designed to fit in a Metris with a single sliding door.



# ALUMINUM MML-27

MERCEDES-BENZ **METRIS**



LEGEND



Wheelbase



Roof Height



Weight



Estimated Install Time

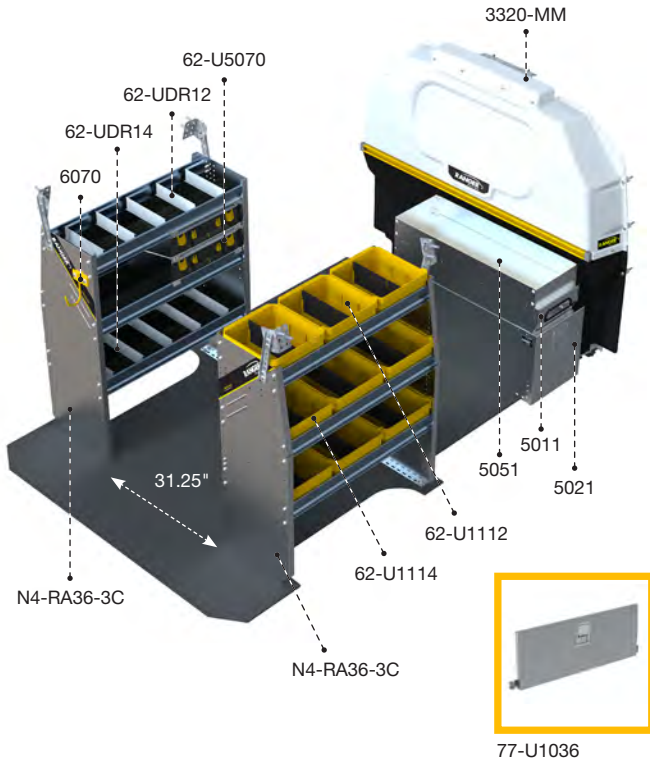


Quickship

## MERCEDES-BENZ METRIS



PACKAGES



### MMR-27 ALUMINUM

|          |            |          |
|----------|------------|----------|
| Aluminum | 126", 135" | Standard |
| 253 lbs  | 6.2 hrs    | Yes      |

| Qty | Part #     | Description   |
|-----|------------|---|
| 1   | 3320-MM    | Max view contoured safety partition                           |
| 1   | 5011       | Partslider 36" D  |
| 1   | 5021       | Tool drawer 36" D x 14" W x 16" H                             |
| 1   | 5051       | Top edge  |
| 2   | 62-U5070   | Partskeeper carry case with holder                            |
| 1   | 6070       | 6" Hook, 3" opening, painted                                  |
| 3   | 62-U1112   | 14" Deep plastic bin  |
| 6   | 62-U1114   | 14" Deep plastic bin  |
| 1   | 62-UDR12   | Set of 5 dividers for a 12" shelf                             |
| 1   | 62-UDR14   | Set of 5 dividers for a 14" shelf                             |
| 1   | 77-U1036   | Adjustable shelving door unit - 33" W - for 36" & 72" shelves |
| 2   | N4-RA36-3C | Composite Aluminum shelving units, 14" D x 36" W x 44.5" H    |

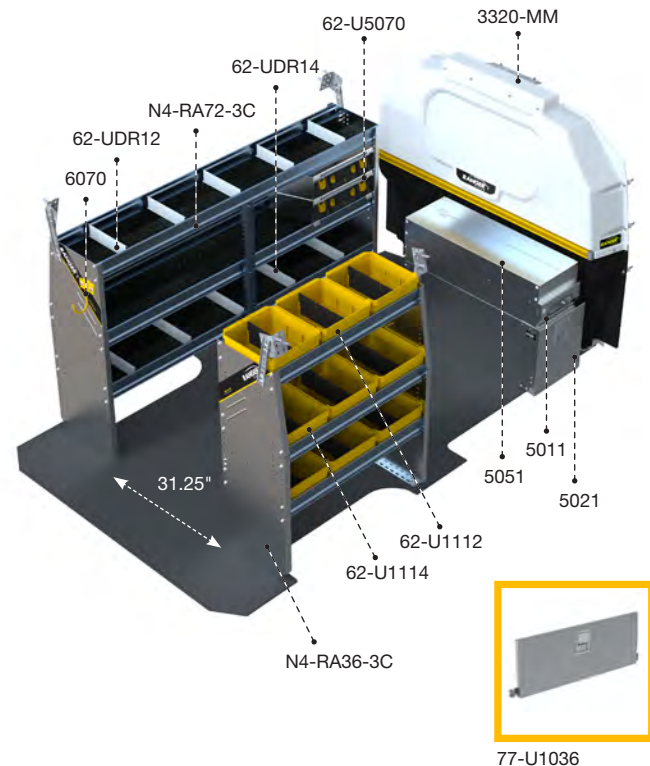
The Base package is designed to fit in a Metris with dual sliding doors.

### MML-27 ALUMINUM

|          |            |          |
|----------|------------|----------|
| Aluminum | 126", 135" | Standard |
| 270 lbs  | 6.3 hrs    | Yes      |

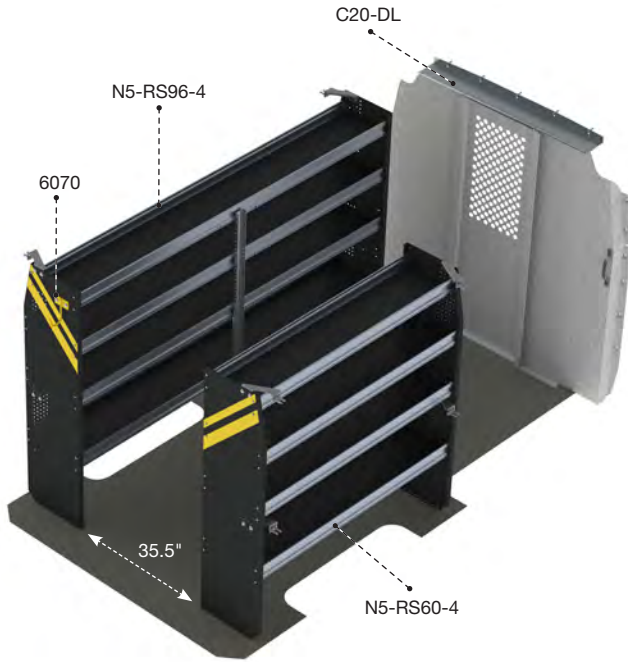
| Qty | Part #     | Description   |
|-----|------------|---|
| 1   | 3320-MM    | Max view contoured safety partition                           |
| 1   | 5011       | Partslider 36" D  |
| 1   | 5021       | Tool drawer 36" D x 14" W x 16" H                             |
| 1   | 5051       | Top edge  |
| 2   | 62-U5070   | Partskeeper carry case with holder                            |
| 1   | 6070       | 6" Hook, 3" opening, painted                                  |
| 3   | 62-U1112   | 12" Deep plastic bin  |
| 6   | 62-U1114   | 14" Deep plastic bin  |
| 1   | 62-UDR12   | Set of 5 dividers for a 12" shelf                             |
| 1   | 62-UDR14   | Set of 5 dividers for a 14" shelf                             |
| 1   | 77-U1036   | Adjustable shelving door unit - 33" W - for 36" & 72" shelves |
| 1   | N4-RA36-3C | Composite Aluminum shelving unit, 14" D x 36" W x 44.5" H     |
| 1   | N4-RA72-3C | Composite Aluminum shelving unit, 14" D x 72" W x 44.5" H     |

The Deluxe package is designed to fit in a Metris with a single sliding door.





MERCEDES-BENZ **SPRINTER**

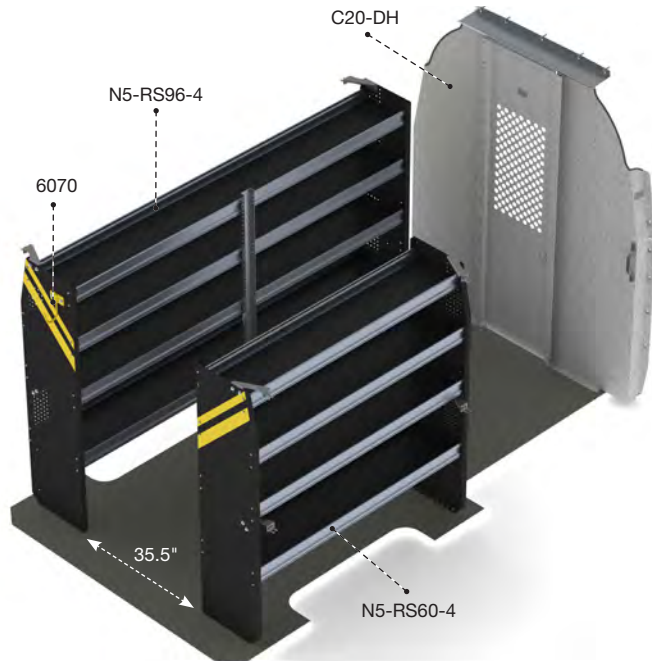


**DLS-10**  
CONTRACTOR

|         |         |          |
|---------|---------|----------|
| Steel   | 144"    | Low Roof |
| 291 lbs | 3.8 hrs | Yes      |

| Qty | Part #    | Description  |
|-----|-----------|--|
| 1   | 6070      | 6" Hook, 3" opening, painted                         |
| 1   | C20-DL    | Straight partition with perforated window, no access |
| 1   | N5-RS60-4 | Steel shelving unit, 14" D x 60" W x 62" H           |
| 1   | N5-RS96-4 | Steel shelving unit, 14" D x 96" W x 62" H           |

PACKAGES



**DHS-10**  
CONTRACTOR

|         |         |           |
|---------|---------|-----------|
| Steel   | 144"    | High Roof |
| 300 lbs | 3.8 hrs | Yes       |

| Qty | Part #    | Description  |
|-----|-----------|--|
| 1   | 6070      | 6" Hook, 3" opening, painted                         |
| 1   | C20-DH    | Straight partition with perforated window, no access |
| 1   | N5-RS60-4 | Steel shelving unit, 14" D x 60" W x 62" H           |
| 1   | N5-RS96-4 | Steel shelving unit, 14" D x 96" W x 62" H           |



ELECTRICAL  
**DHS-11**

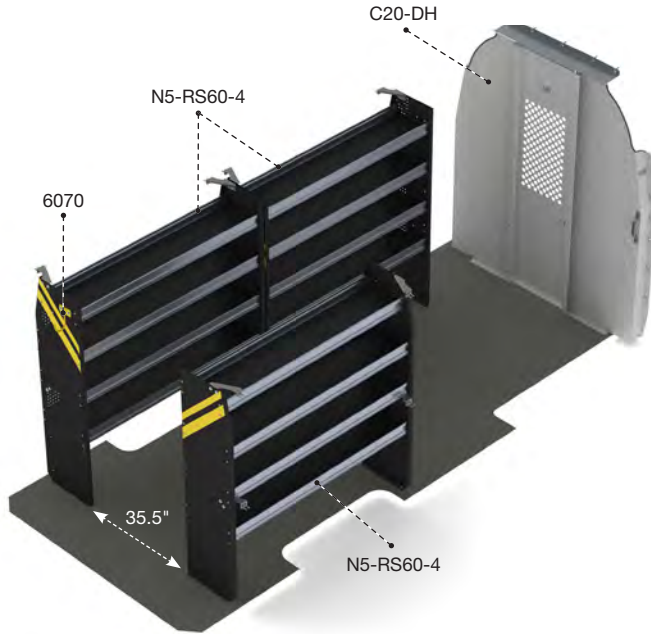
MERCEDES-BENZ **SPRINTER**







# MERCEDES-BENZ SPRINTER

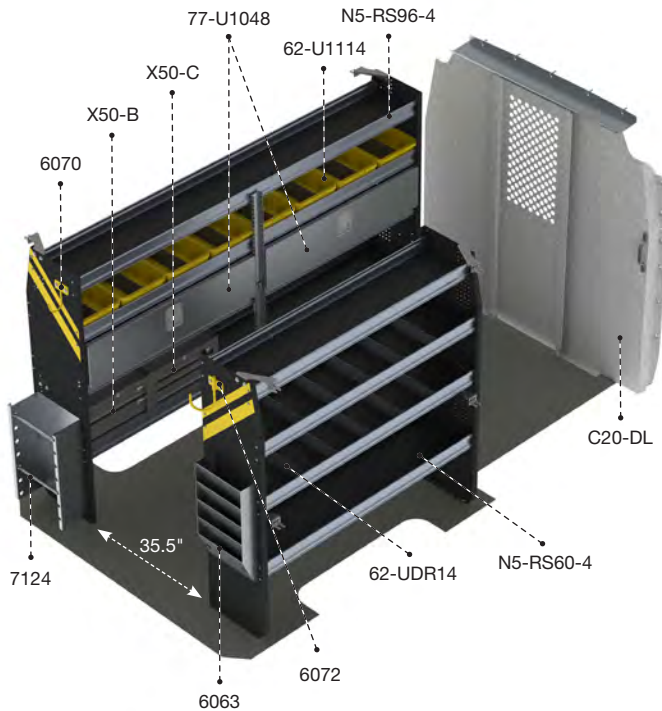


## DHL-10 CONTRACTOR

|         |                 |           |
|---------|-----------------|-----------|
| Steel   | 170", 170" Ext. | High Roof |
| 355 lbs | 4.8 hrs         | Yes       |

| Qty | Part #    | Description  |
|-----|-----------|--|
| 1   | 6070      | 6" Hook, 3" opening, painted                         |
| 1   | C20-DH    | Straight partition with perforated window, no access |
| 3   | N5-RS60-4 | Steel shelving unit, 14" D x 60" W x 62" H           |

PACKAGES



## DLS-11 ELECTRICAL

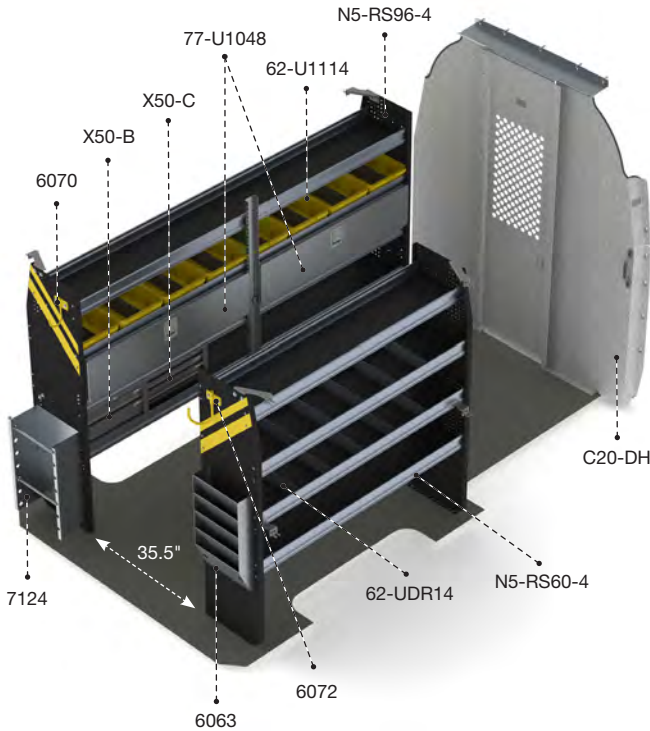
|         |         |          |
|---------|---------|----------|
| Steel   | 144"    | Low Roof |
| 404 lbs | 6.3 hrs | Yes      |

| Qty | Part #    | Description   |
|-----|-----------|---|
| 1   | 6063      | Paper holder, extra deep, 5 slots                             |
| 1   | 6070      | 6" Hook, 3" opening, painted                                  |
| 1   | 6072      | 8" Swivel hook, 4" opening, painted                           |
| 8   | 62-U1114  | 14" Deep plastic bin  |
| 2   | 62-UDR14  | Set of 5 dividers for a 14" shelf                             |
| 1   | 7124      | Reel holder with two 5/8" diameter rods                       |
| 2   | 77-U1048  | Adjustable shelving door unit - 45" W - for 48" & 96" shelves |
| 1   | C20-DL    | Straight partition with perforated window, no access          |
| 1   | N5-RS60-4 | Steel shelving unit, 14" D x 60" W x 62" H                    |
| 1   | N5-RS96-4 | Steel shelving unit, 14" D x 96" W x 62" H                    |
| 1   | X50-B     | Compact 2-drawer unit   |
| 1   | X50-C     | Compact 3-drawer unit   |

## MERCEDES-BENZ SPRINTER



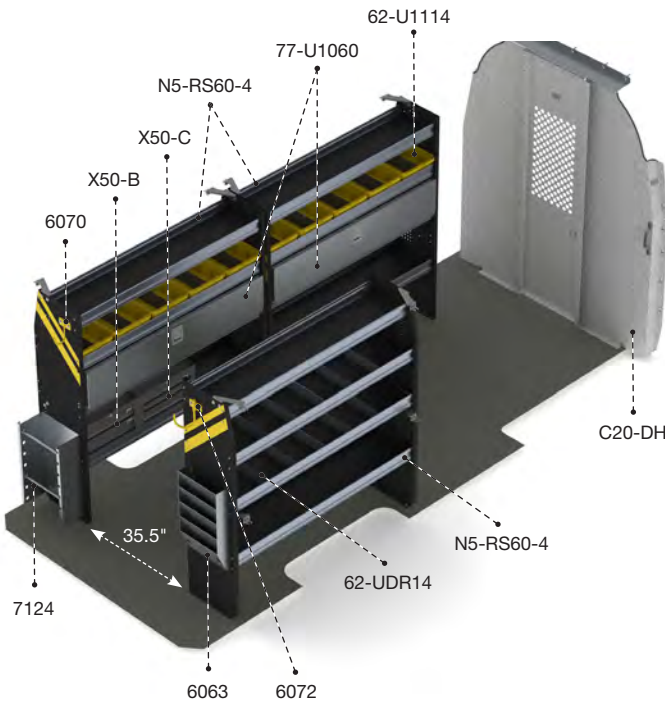
PACKAGES



### DHS-11 ELECTRICAL

|  |         |  |         |  |           |
|--|---------|--|---------|--|-----------|
|  | Steel   |  | 144"    |  | High Roof |
|  | 413 lbs |  | 6.3 hrs |  | Yes       |

| Qty | Part #    | Description   |
|-----|-----------|---|
| 1   | 6063      | Paper holder, extra deep, 5 slots                             |
| 1   | 6070      | 6" Hook, 3" opening, painted                                  |
| 1   | 6072      | 8" Swivel hook, 4" opening, painted                           |
| 8   | 62-U1114  | 14" Deep plastic bin  |
| 2   | 62-UDR14  | Set of 5 dividers for a 14" shelf                             |
| 1   | 7124      | Reel holder with two 5/8" diameter rods                       |
| 2   | 77-U1048  | Adjustable shelving door unit - 45" W - for 48" & 96" shelves |
| 1   | C20-DH    | Straight partition with perforated window, no access          |
| 1   | N5-RS60-4 | Steel shelving unit, 14" D x 60" W x 62" H                    |
| 1   | N5-RS96-4 | Steel shelving unit, 14" D x 96" W x 62" H                    |
| 1   | X50-B     | Compact 2-drawer unit   |
| 1   | X50-C     | Compact 3-drawer unit   |



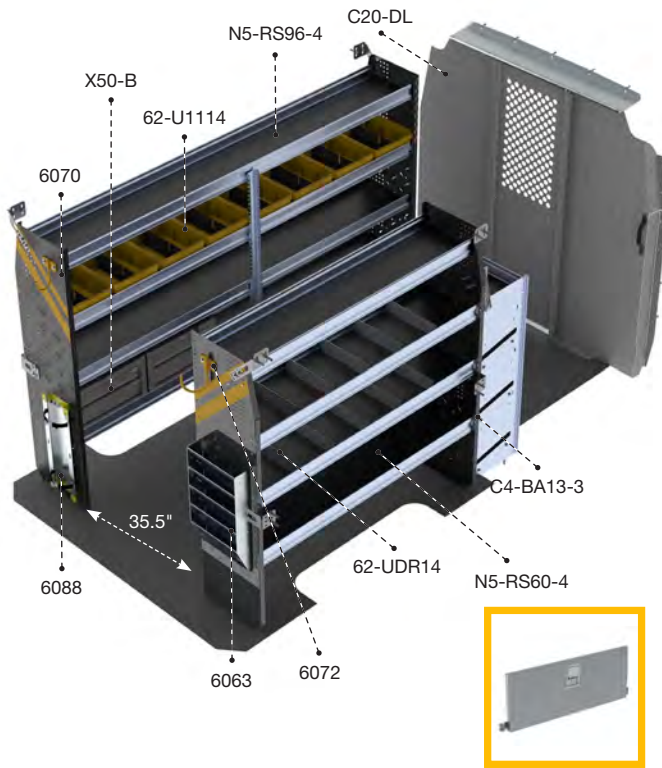
### DHL-11 ELECTRICAL

|  |         |  |                 |  |           |
|--|---------|--|-----------------|--|-----------|
|  | Steel   |  | 170", 170" Ext. |  | High Roof |
|  | 475 lbs |  | 7.3 hrs         |  | Yes       |

| Qty | Part #    | Description   |
|-----|-----------|---|
| 1   | 6063      | Paper holder, extra deep, 5 slots                       |
| 1   | 6070      | 6" Hook, 3" opening, painted                            |
| 1   | 6072      | 8" Swivel hook, 4" opening, painted                     |
| 10  | 62-U1114  | 14" Deep plastic bin                                    |
| 2   | 62-UDR14  | Set of 5 dividers for a 14" shelf                       |
| 1   | 7124      | Reel holder with two 5/8" diameter rods                 |
| 2   | 77-U1060  | Adjustable shelving door unit - 57" W - for 60" shelves |
| 1   | C20-DH    | Straight partition with perforated window, no access    |
| 3   | N5-RS60-4 | Steel shelving units, 14" D x 60" W x 62" H             |
| 1   | X50-B     | Compact 2-drawer unit                                   |
| 1   | X50-C     | Compact 3-drawer unit                                   |



MERCEDES-BENZ **SPRINTER**



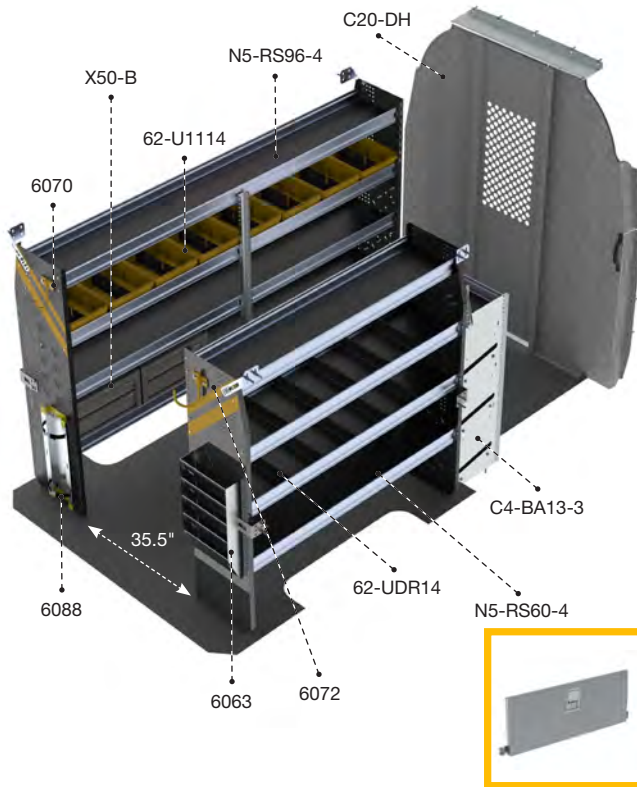
## DLS-12

HVAC

|         |         |          |
|---------|---------|----------|
| Steel   | 144"    | Low Roof |
| 414 lbs | 6.1 hrs | Yes      |

| Qty | Part #           | Description   |
|-----|------------------|---|
| 1   | <b>C4-BA13-3</b> | 3 Tier refrigerant rack for large bottles                 |
| 1   | <b>6063</b>      | Paper holder, extra deep, 5 slots                         |
| 1   | <b>6070</b>      | 6" Hook, 3" opening, painted                              |
| 1   | <b>6072</b>      | 8" Swivel hook, 4" opening, painted                       |
| 1   | <b>6088</b>      | Large aluminum bottle holder, with two black nylon straps |
| 8   | <b>62-U1114</b>  | 14" Deep plastic bin                                      |
| 2   | <b>62-UDR14</b>  | Set of 5 dividers for a 14" shelf                         |
| 1   | <b>77-U1060</b>  | Adjustable shelving door unit - 57" W - for 60" shelves   |
| 1   | <b>C20-DL</b>    | Straight partition with perforated window, no access      |
| 1   | <b>N5-RS60-4</b> | Steel shelving unit, 14" D x 60" W x 62" H                |
| 1   | <b>N5-RS96-4</b> | Steel shelving unit, 14" D x 96" W x 62" H                |
| 2   | <b>X50-B</b>     | Compact 2-drawer unit                                     |

77-U1060



## DHS-12

HVAC

|         |         |           |
|---------|---------|-----------|
| Steel   | 144"    | High Roof |
| 423 lbs | 6.1 hrs | Yes       |

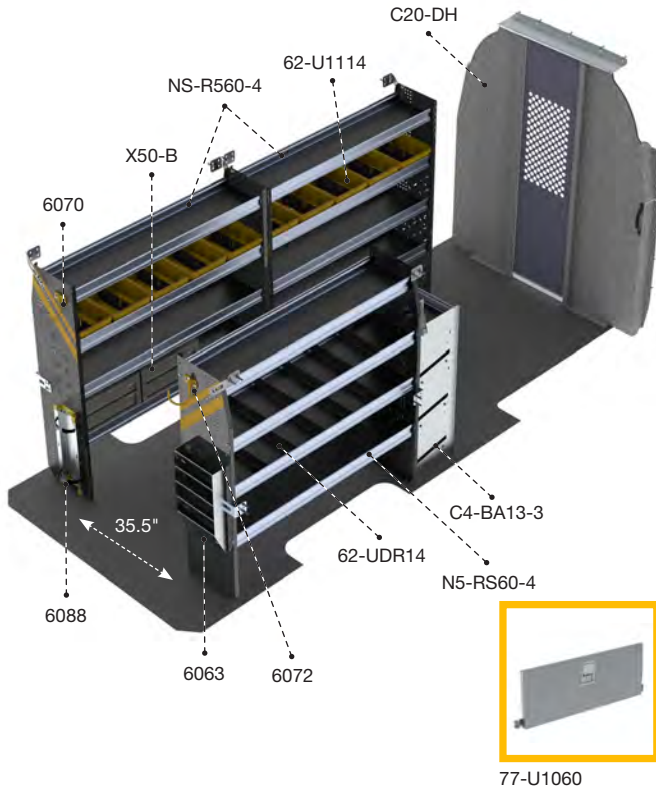
| Qty | Part #           | Description   |
|-----|------------------|---|
| 1   | <b>C4-BA13-3</b> | 3 Tier refrigerant rack for large bottles                 |
| 1   | <b>6063</b>      | Paper holder, extra deep, 5 slots                         |
| 1   | <b>6070</b>      | 6" Hook, 3" opening, painted                              |
| 1   | <b>6072</b>      | 8" Swivel hook, 4" opening, painted                       |
| 1   | <b>6088</b>      | Large aluminum bottle holder, with two black nylon straps |
| 8   | <b>62-U1114</b>  | 14" Deep plastic bin                                      |
| 2   | <b>62-UDR14</b>  | Set of 5 dividers for a 14" shelf                         |
| 1   | <b>77-U1060</b>  | Adjustable shelving door unit - 57" W - for 60" shelves   |
| 1   | <b>C20-DH</b>    | Straight partition with perforated window, no access      |
| 1   | <b>N5-RS60-4</b> | Steel shelving unit, 14" D x 60" W x 62" H                |
| 1   | <b>N5-RS96-4</b> | Steel shelving unit, 14" D x 96" W x 62" H                |
| 2   | <b>X50-B</b>     | Compact 2-drawer unit                                     |

77-U1060

## MERCEDES-BENZ SPRINTER



PACKAGES

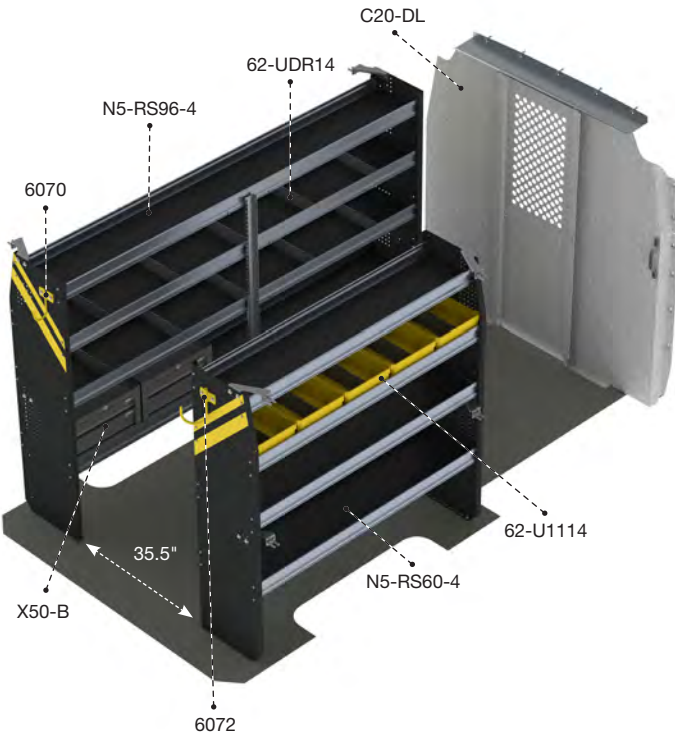


### DHL-12 HVAC

|         |                 |           |
|---------|-----------------|-----------|
| Steel   | 170", 170" Ext. | High Roof |
| 482 lbs | 7.1 hrs         | Yes       |

| Qty | Part #           | Description   |
|-----|------------------|---|
| 1   | <b>C4-BA13-3</b> | 3 Tier refrigerant rack for large bottles                 |
| 1   | <b>6063</b>      | Paper holder, extra deep, 5 slots                         |
| 1   | <b>6070</b>      | 6" Hook, 3" opening, painted                              |
| 1   | <b>6072</b>      | 8" Swivel hook, 4" opening, painted                       |
| 1   | <b>6088</b>      | Large aluminum bottle holder, with two black nylon straps |
| 10  | <b>62-U1114</b>  | 14" Deep plastic bin                                      |
| 2   | <b>62-UDR14</b>  | Set of 5 dividers for a 14" shelf                         |
| 1   | <b>77-U1060</b>  | Adjustable shelving door unit - 57" W - for 60" shelves   |
| 1   | <b>C20-DH</b>    | Straight partition with perforated window, no access      |
| 3   | <b>N5-RS60-4</b> | Steel shelving units, 14" D x 60" W x 62" H               |
| 2   | <b>X50-B</b>     | Compact 2-drawer unit                                     |

77-U1060



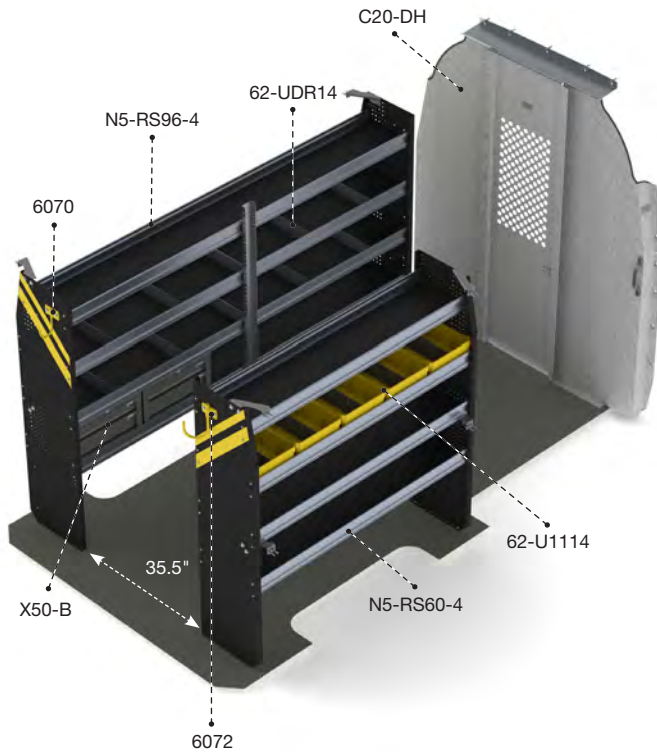
### DLS-16 SERVICE

|         |         |          |
|---------|---------|----------|
| Steel   | 144"    | Low Roof |
| 361 lbs | 4.6 hrs | Yes      |

| Qty | Part #           | Description  |
|-----|------------------|--|
| 1   | <b>6070</b>      | 6" Hook, 3" opening, painted                         |
| 1   | <b>6072</b>      | 8" Swivel hook, 4" opening, painted                  |
| 5   | <b>62-U1114</b>  | 14" Deep plastic bin                                 |
| 2   | <b>62-UDR14</b>  | Set of 5 dividers for a 14" shelf                    |
| 1   | <b>C20-DL</b>    | Straight partition with perforated window, no access |
| 1   | <b>N5-RS60-4</b> | Steel shelving unit, 14" D x 60" W x 62" H           |
| 1   | <b>N5-RS96-4</b> | Steel shelving unit, 14" D x 96" W x 62" H           |
| 2   | <b>X50-B</b>     | Compact 2-drawer unit                                |



MERCEDES-BENZ **SPRINTER**

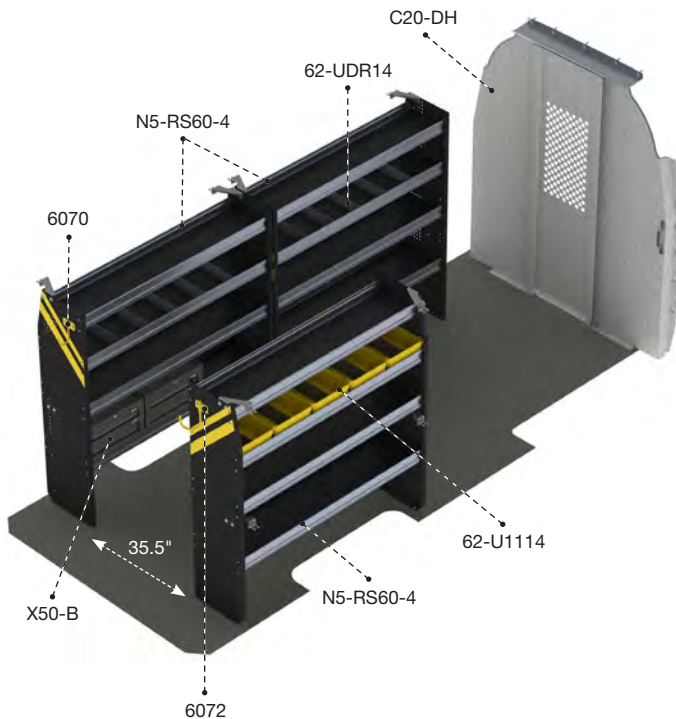


**DHS-16**  
SERVICE

|         |         |           |
|---------|---------|-----------|
| Steel   | 144"    | High Roof |
| 370 lbs | 4.6 hrs | Yes       |

| Qty | Part #    | Description  |
|-----|-----------|--|
| 1   | 6070      | 6" Hook, 3" opening, painted                         |
| 1   | 6072      | 8" Swivel hook, 4" opening, painted                  |
| 5   | 62-U1114  | 14" Deep plastic bin                                 |
| 2   | 62-UDR14  | Set of 5 dividers for a 14" shelf                    |
| 1   | C20-DH    | Straight partition with perforated window, no access |
| 1   | N5-RS60-4 | Steel shelving unit, 14" D x 60" W x 62" H           |
| 1   | N5-RS96-4 | Steel shelving unit, 14" D x 96" W x 62" H           |
| 2   | X50-B     | Compact 2-drawer unit                                |

PACKAGES



**DHL-16**  
SERVICE

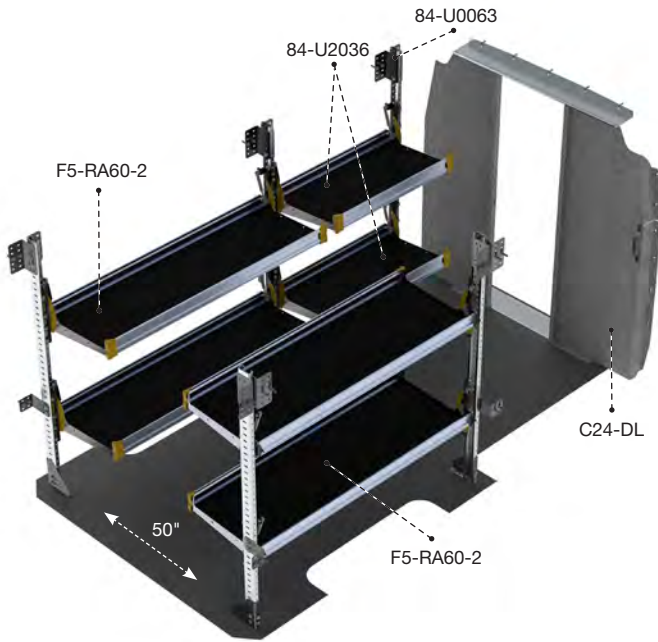
|         |                 |           |
|---------|-----------------|-----------|
| Steel   | 170", 170" Ext. | High Roof |
| 425 lbs | 5.6 hrs         | Yes       |

| Qty | Part #    | Description  |
|-----|-----------|--|
| 1   | 6070      | 6" Hook, 3" opening, painted                         |
| 1   | 6072      | 8" Swivel hook, 4" opening, painted                  |
| 5   | 62-U1114  | 14" Deep plastic bin                                 |
| 2   | 62-UDR14  | Set of 5 dividers for a 14" shelf                    |
| 1   | C20-DH    | Straight partition with perforated window, no access |
| 3   | N5-RS60-4 | Steel shelving units, 14" D x 60" W x 62" H          |
| 2   | X50-B     | Compact 2-drawer unit                                |

## MERCEDES-BENZ SPRINTER



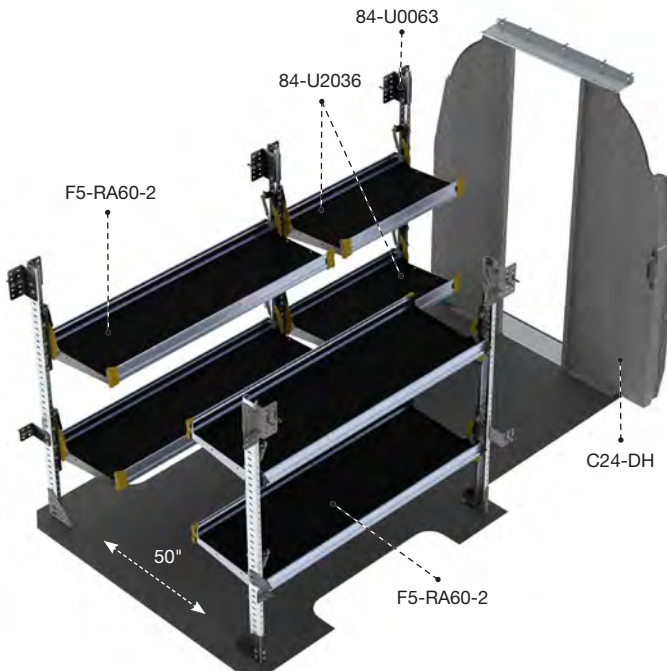
PACKAGES



### DLS-19 DELIVERY

|          |         |          |
|----------|---------|----------|
| Aluminum | 144"    | Low Roof |
| 274 lbs  | 5.3 hrs | Yes      |

| Qty | Part #           | Description                                     |
|-----|------------------|---|
| 1   | <b>84-U0063</b>  | Post assembly for fold-away shelving, 63"       |
| 2   | <b>84-U2036</b>  | Fold-away shelf tray, 20" D x 36" W             |
| 1   | <b>C24-DL</b>    | Straight walk through steel partition           |
| 2   | <b>F5-RA60-2</b> | Fold-away unit, 2 levels, 25" D x 60" W x 63" H |



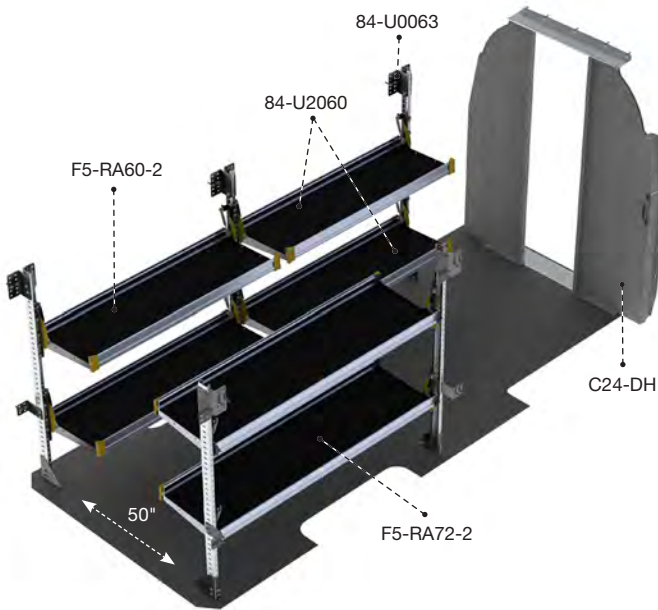
### DHS-19 DELIVERY

|          |         |           |
|----------|---------|-----------|
| Aluminum | 144"    | High Roof |
| 277 lbs  | 5.3 hrs | Yes       |

| Qty | Part #           | Description                                     |
|-----|------------------|---|
| 1   | <b>84-U0063</b>  | Post assembly for fold-away shelving, 63"       |
| 2   | <b>84-U2036</b>  | Fold-away shelf tray, 20" D x 36" W             |
| 1   | <b>C24-DH</b>    | Straight walk through steel partition           |
| 2   | <b>F5-RA60-2</b> | Fold-away unit, 2 levels, 25" D x 60" W x 63" H |



MERCEDES-BENZ **SPRINTER**

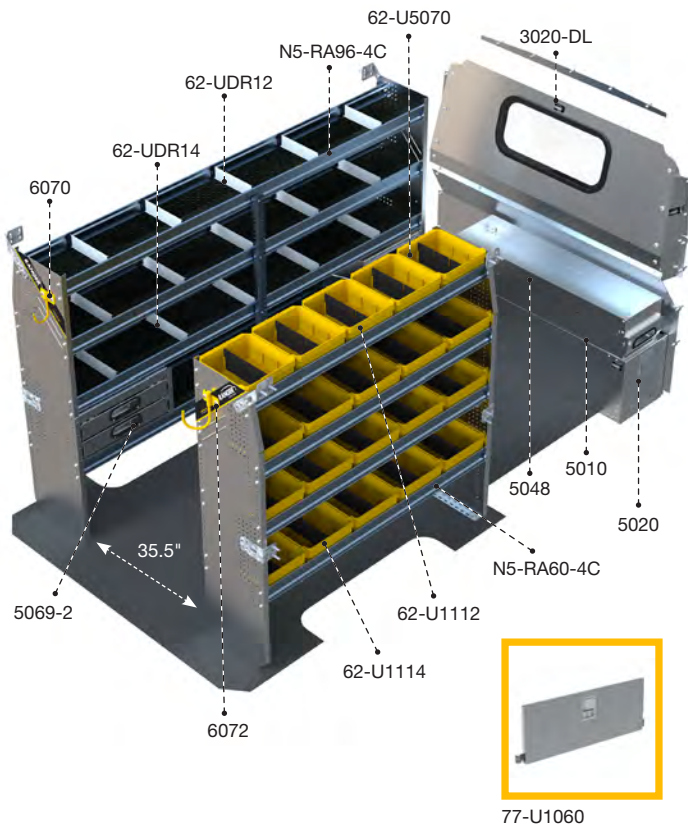


**DHL-19**  
DELIVERY

|          |                 |           |
|----------|-----------------|-----------|
| Aluminum | 170", 170" Ext. | High Roof |
| 299      | 5.3 hrs         | Yes       |

| Qty | Part #           | Description                               |
|-----|------------------|---|
| 1   | <b>C24-DH</b>    | Straight walk through steel partition     |
| 1   | <b>F5-RA60-2</b> | Fold-away unit, 2 levels, 60" W x 63" H   |
| 1   | <b>84-U0063</b>  | Post assembly for fold-away shelving, 63" |
| 2   | <b>84-U2060</b>  | Fold-away shelf tray, 20" D x 60" W       |
| 1   | <b>F5-RA72-2</b> | Fold-away unit, 2 levels, 72" W x 63" H   |

PACKAGES



**DLS-27**  
ALUMINUM

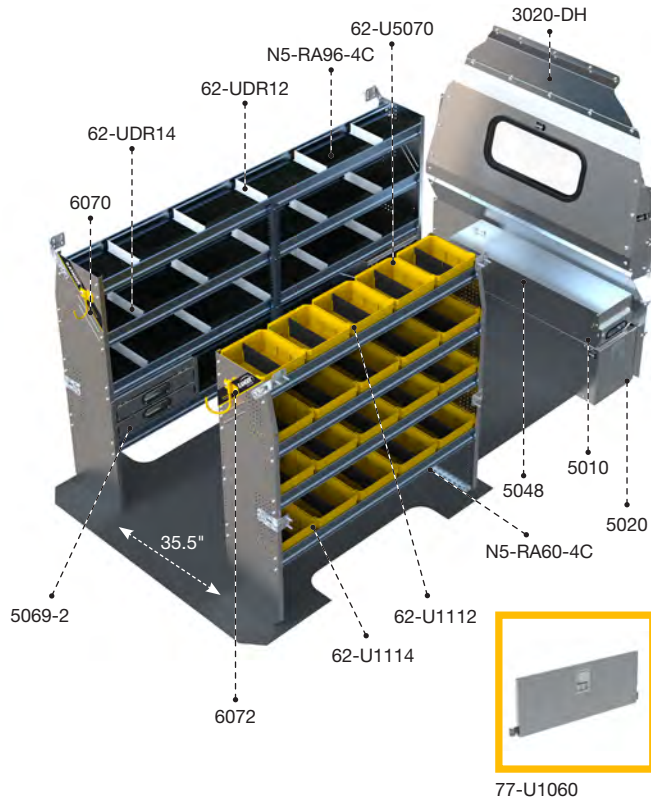
|          |         |          |
|----------|---------|----------|
| Aluminum | 144"    | Low Roof |
| 404 lbs  | 7.5 hrs | Yes      |

| Qty | Part #            | Description  |
|-----|-------------------|--|
| 1   | <b>3020-DL</b>    | Countoured safety partition with glass window              |
| 1   | <b>5010</b>       | Partslider drawer  |
| 1   | <b>5020</b>       | Tool drawer 48" D x 14" W x 16" H                          |
| 1   | <b>5048</b>       | Top edge   |
| 1   | <b>5069-2</b>     | 2 Drawer cabinet   |
| 2   | <b>62-U5070</b>   | Partskeeper carry case with holder                         |
| 1   | <b>6070</b>       | 6" Hook, 3" opening, painted                               |
| 1   | <b>6072</b>       | 8" Swivel hook, 4" opening, painted                        |
| 5   | <b>62-U1112</b>   | 12" Deep plastic bin                                       |
| 15  | <b>62-U1114</b>   | 14" Deep plastic bin                                       |
| 1   | <b>62-UDR12</b>   | Set of 5 dividers for a 12" shelf                          |
| 2   | <b>62-UDR14</b>   | Set of 5 dividers for a 14" shelf                          |
| 1   | <b>77-U1060</b>   | Adjustable shelving door unit - 57" W - for 60" shelves    |
| 1   | <b>N5-RA60-4C</b> | Composite Aluminum shelving unit, 60", 14"D x 60" W x 62"H |
| 1   | <b>N5-RA96-4C</b> | Composite Aluminum shelving unit, 96", 14"D x 96" W x 62"H |

## MERCEDES-BENZ SPRINTER



PACKAGES



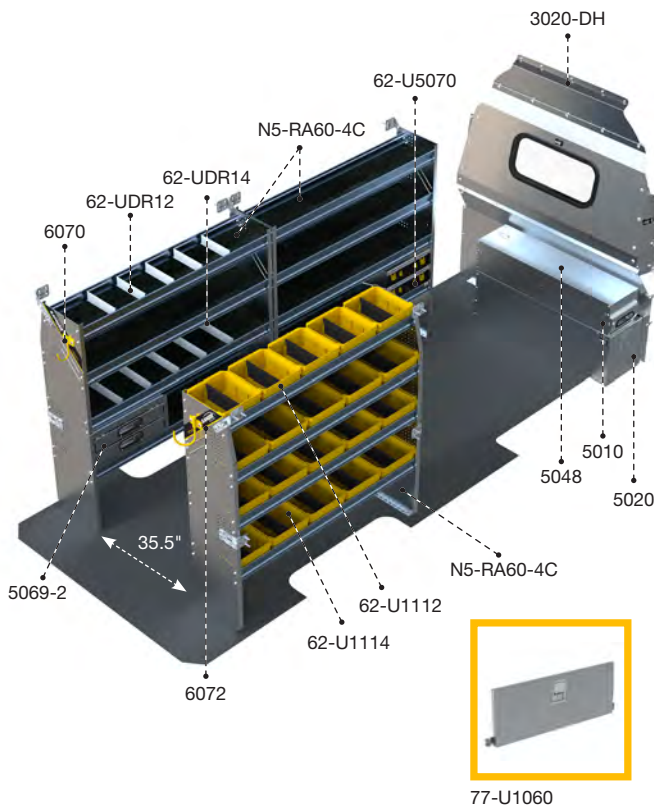
### DHS-27 ALUMINUM

|          |         |           |
|----------|---------|-----------|
| Aluminum | 144"    | High Roof |
| 411 lbs  | 7.5 hrs | Yes       |

| Qty | Part #            | Description  |
|-----|-------------------|--|
| 1   | <b>3020-DH</b>    | Countoured safety partition with glass window              |
| 1   | <b>5010</b>       | Partslider drawer  |
| 1   | <b>5020</b>       | Tool drawer 48" D x 14" W x 16" H                          |
| 1   | <b>5048</b>       | Top edge   |
| 1   | <b>5069-2</b>     | 2 Drawer cabinet   |
| 2   | <b>62-U5070</b>   | Partskeeper carry case with holder                         |
| 1   | <b>6070</b>       | 6" Hook, 3" opening, painted                               |
| 1   | <b>6072</b>       | 8" Swivel hook, 4" opening, painted                        |
| 5   | <b>62-U1112</b>   | 12" Deep plastic bin                                       |
| 15  | <b>62-U1114</b>   | 14" Deep plastic bin                                       |
| 1   | <b>62-UDR12</b>   | Set of 5 dividers for a 12" shelf                          |
| 2   | <b>62-UDR14</b>   | Set of 5 dividers for a 14" shelf                          |
| 1   | <b>77-U1060</b>   | Adjustable shelving door unit - 57" W - for 60" shelves    |
| 1   | <b>N5-RA60-4C</b> | Composite Aluminum shelving unit, 60", 14"D x 60" W x 62"H |
| 1   | <b>N5-RA96-4C</b> | Composite Aluminum shelving unit, 96", 14"D x 96" W x 62"H |

### DHL-27 ALUMINUM

|          |                 |           |
|----------|-----------------|-----------|
| Aluminum | 170", 170" Ext. | High Roof |
| 445 lbs  | 8.5 hrs         | Yes       |



| Qty | Part #            | Description   |
|-----|-------------------|---|
| 1   | <b>3020-DH</b>    | Countoured safety partition with glass window               |
| 1   | <b>5010</b>       | Partslider 48" D  |
| 1   | <b>5020</b>       | Tool drawer 48" D x 14" W x 16" H                           |
| 1   | <b>5048</b>       | Top edge  |
| 1   | <b>5069-2</b>     | 2 Drawer cabinet  |
| 2   | <b>62-U5070</b>   | Partskeeper carry case with holder                          |
| 1   | <b>6070</b>       | 6" Hook, 3" opening, painted                                |
| 1   | <b>6072</b>       | 8" Swivel hook, 4" opening, painted                         |
| 5   | <b>62-U1112</b>   | 12" Deep plastic bin  |
| 15  | <b>62-U1114</b>   | 14" Deep plastic bin  |
| 1   | <b>62-UDR12</b>   | Set of 5 dividers for a 12" shelf                           |
| 2   | <b>62-UDR14</b>   | Set of 5 dividers for a 14" shelf                           |
| 1   | <b>77-U1060</b>   | Adjustable shelving door unit - 57" W - for 60" shelves     |
| 3   | <b>N5-RA60-4C</b> | Composite Aluminum shelving units, 60", 14"D x 60" W x 62"H |





# ALUMINUM DHS-27

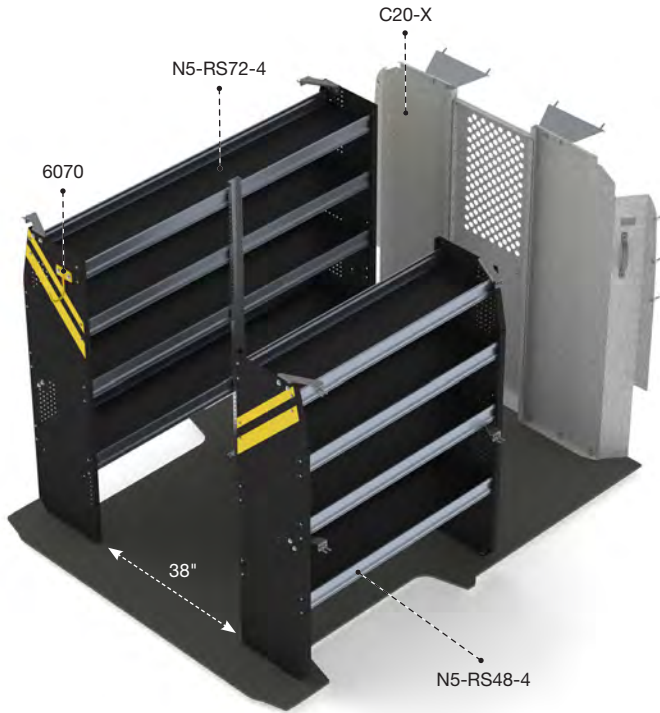
MERCEDES-BENZ **SPRINTER**





## RAM PROMASTER

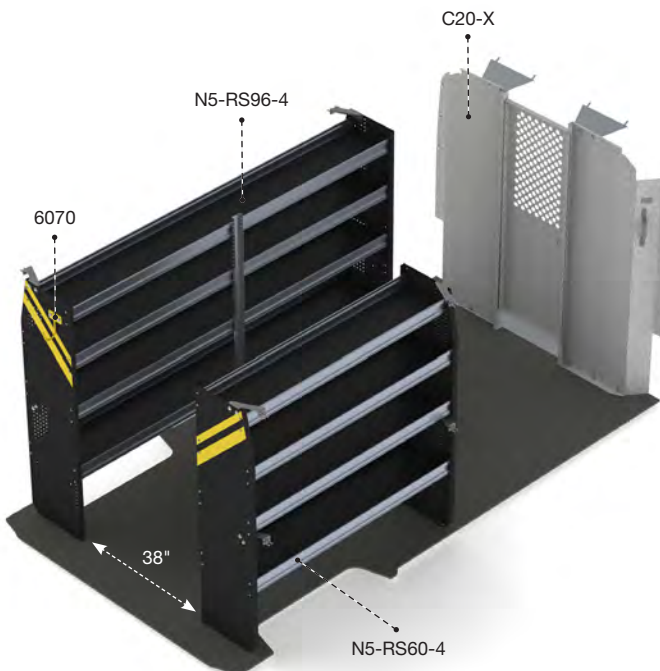
PACKAGES









### RPS-10 CONTRACTOR

|   |  |  |
|---|--|--|
|  Steel   |  118", 136" |  Low / High |
|  259 lbs |  3.8 hrs    |  Yes        |

| Qty | Part #    | Description  |
|-----|-----------|--|
| 1   | 6070      | 6" Hook, 3" opening, painted                               |
| 1   | C20-X     | Straight steel partition with perforated window, no access |
| 1   | N5-RS48-4 | Steel shelving unit, 14" D x 48" W x 62" H                 |
| 1   | N5-RS72-4 | Steel shelving unit, 14" D x 72" W x 62" H                 |



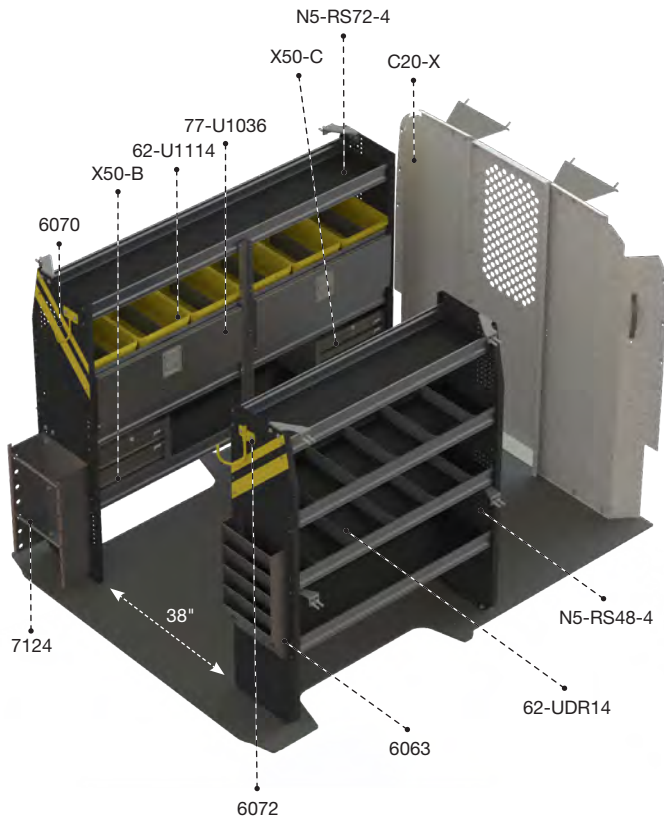
### RPL-10 CONTRACTOR

|   |   |  |
|---|---|--|
|  Steel   |  159", 159" Ext. |  High |
|  289 lbs |  3.8 hrs         |  Yes  |

| Qty | Part #    | Description  |
|-----|-----------|--|
| 1   | 6070      | 6" Hook, 3" opening, painted                               |
| 1   | C20-X     | Straight steel partition with perforated window, no access |
| 1   | N5-RS60-4 | Steel shelving unit, 14" D x 60" W x 62" H                 |
| 1   | N5-RS96-4 | Steel shelving unit, 14" D x 96" W x 62" H                 |



RAM PROMASTER



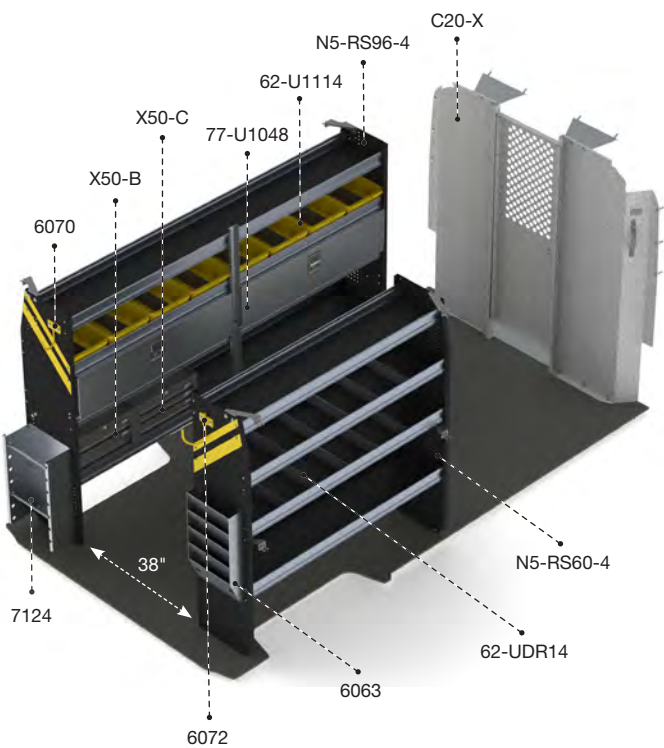
## RPS-11

### ELECTRICAL

|         |            |            |
|---------|------------|------------|
| Steel   | 118", 136" | Low / High |
| 364 lbs | 6.3 hrs    | Yes        |

| Qty | Part #    | Description   |
|-----|-----------|---|
| 1   | 6063      | Paper holder, extra deep, 5 slots                             |
| 1   | 6070      | 6" Hook, 3" opening, painted                                  |
| 1   | 6072      | 8" Swivel hook, 4" opening, painted                           |
| 6   | 62-U1114  | 14" Deep plastic bin  |
| 2   | 62-UDR14  | Set of 5 dividers for a 14" shelf                             |
| 1   | 7124      | Reel holder with two 5/8" diameter rods                       |
| 2   | 77-U1036  | Adjustable shelving door unit - 33" W - for 36" & 72" shelves |
| 1   | C20-X     | Straight steel partition with perforated window, no access    |
| 1   | N5-RS48-4 | Steel shelving unit, 14" D x 48" W x 62" H                    |
| 1   | N5-RS72-4 | Steel shelving unit, 14" D x 72" W x 62" H                    |
| 1   | X50-B     | Compact 2-drawer unit   |
| 1   | X50-C     | Compact 3-drawer unit   |

PACKAGES



## RPL-11

### ELECTRICAL

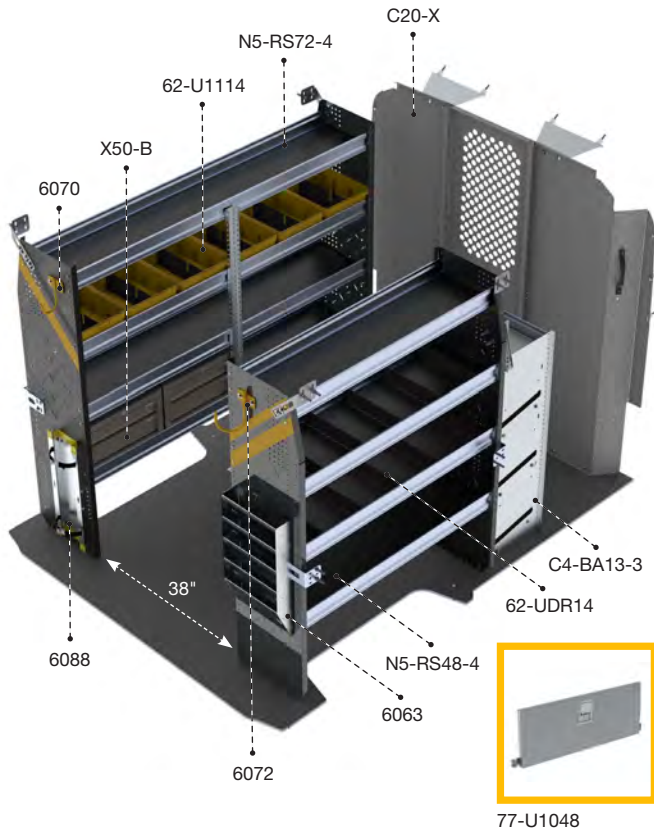
|         |                 |      |
|---------|-----------------|------|
| Steel   | 159", 159" Ext. | High |
| 402 lbs | 6.3 hrs         | Yes  |

| Qty | Part #    | Description   |
|-----|-----------|---|
| 1   | 6063      | Paper holder, extra deep, 5 slots                             |
| 1   | 6070      | 6" Hook, 3" opening, painted                                  |
| 1   | 6072      | 8" Swivel hook, 4" opening, painted                           |
| 8   | 62-U1114  | 14" Deep plastic bin  |
| 2   | 62-UDR14  | Set of 5 dividers for a 14" shelf                             |
| 1   | 7124      | Reel holder with two 5/8" diameter rods                       |
| 2   | 77-U1048  | Adjustable shelving door unit - 45" W - for 48" & 96" shelves |
| 1   | C20-X     | Straight steel partition with perforated window, no access    |
| 1   | N5-RS60-4 | Steel shelving unit, 14" D x 60" W x 62" H                    |
| 1   | N5-RS96-4 | Steel shelving unit, 14" D x 96" W x 62" H                    |
| 1   | X50-B     | Compact 2-drawer unit   |
| 1   | X50-C     | Compact 3-drawer unit   |



## RAM PROMASTER

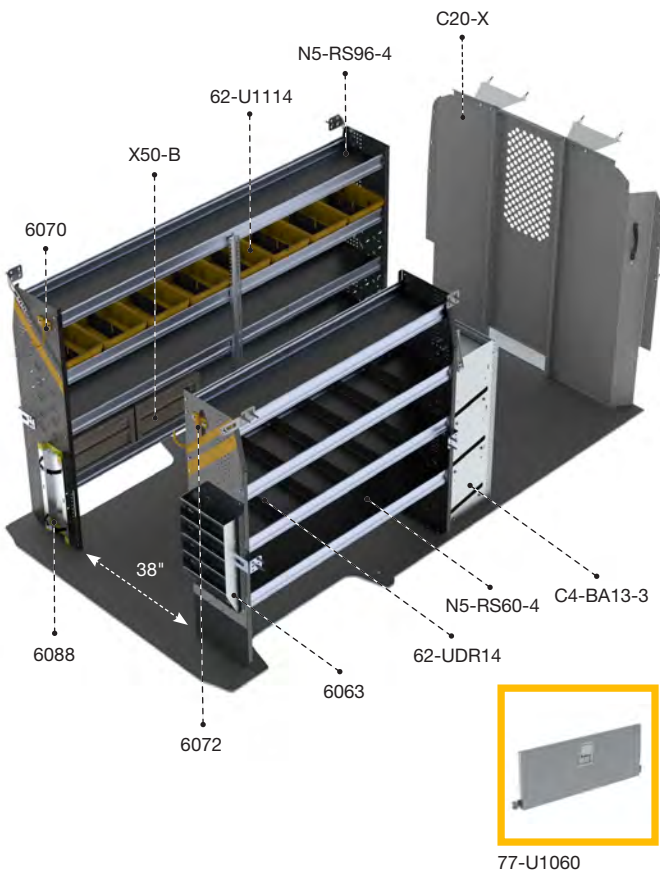
PACKAGES



### RPS-12 HVAC

|  |         |  |            |  |            |
|--|---------|--|------------|--|------------|
|  | Steel   |  | 118", 136" |  | Low / High |
|  | 376 lbs |  | 6.1 hrs    |  | Yes        |

| Qty | Part #           | Description   |
|-----|------------------|---|
| 1   | <b>C4-BA13-3</b> | 3 Tier refrigerant rack for large bottles                     |
| 1   | <b>6063</b>      | Paper holder, extra deep, 5 slots                             |
| 1   | <b>6070</b>      | 6" Hook, 3" opening, painted                                  |
| 1   | <b>6072</b>      | 8" Swivel hook, 4" opening, painted                           |
| 1   | <b>6088</b>      | Large aluminum bottle holder, with two black nylon straps     |
| 6   | <b>62-U1114</b>  | 14" Deep plastic bin  |
| 2   | <b>62-UDR14</b>  | Set of 5 dividers for a 14" shelf                             |
| 1   | <b>77-U1048</b>  | Adjustable shelving door unit - 45" W - for 48" & 96" shelves |
| 1   | <b>C20-X</b>     | Straight steel partition with perforated window, no access    |
| 1   | <b>N5-RS48-4</b> | Steel shelving unit, 14" D x 48" W x 62" H                    |
| 1   | <b>N5-RS72-4</b> | Steel shelving unit, 14" D x 72" W x 62" H                    |
| 2   | <b>X50-B</b>     | Compact 2-drawer unit   |



### RPL-12 HVAC

|  |         |  |                 |  |      |
|--|---------|--|-----------------|--|------|
|  | Steel   |  | 159", 159" Ext. |  | High |
|  | 412 lbs |  | 6.1 hrs         |  | Yes  |

| Qty | Part #           | Description  |
|-----|------------------|--|
| 1   | <b>C4-BA13-3</b> | 3 Tier refrigerant rack for large bottles                  |
| 1   | <b>6063</b>      | Paper holder, extra deep, 5 slots                          |
| 1   | <b>6070</b>      | 6" Hook, 3" opening, painted                               |
| 1   | <b>6072</b>      | 8" Swivel hook, 4" opening, painted                        |
| 1   | <b>6088</b>      | Large aluminum bottle holder, with two black nylon straps  |
| 8   | <b>62-U1114</b>  | 14" Deep plastic bin                                       |
| 2   | <b>62-UDR14</b>  | Set of 5 dividers for a 14" shelf                          |
| 1   | <b>77-U1060</b>  | Adjustable shelving door unit - 57" W - for 60" shelves    |
| 1   | <b>C20-X</b>     | Straight steel partition with perforated window, no access |
| 1   | <b>N5-RS60-4</b> | Steel shelving unit, 14" D x 60" W x 62" H                 |
| 1   | <b>N5-RS96-4</b> | Steel shelving unit, 14" D x 96" W x 62" H                 |
| 2   | <b>X50-B</b>     | Compact 2-drawer unit                                      |



# SERVICE **RPS-16**

**RAM PROMASTER**





## RAM PROMASTER

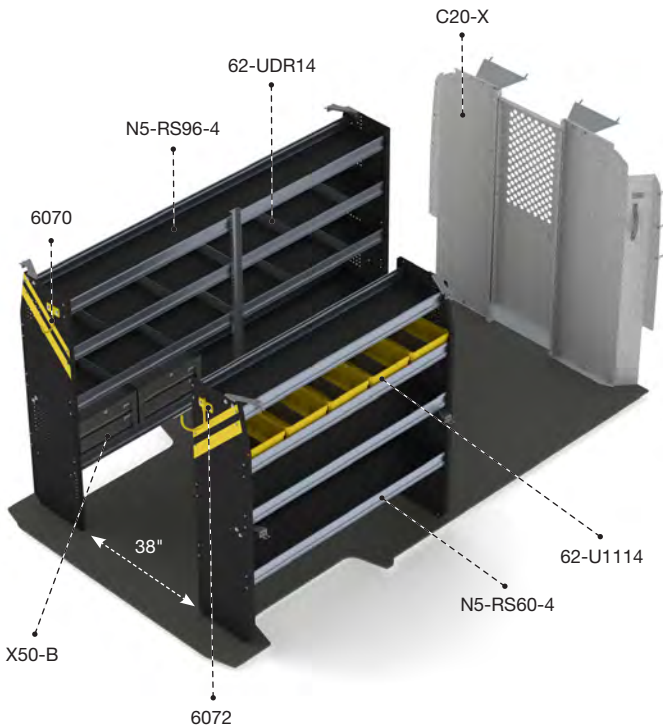
PACKAGES



### RPS-16 SERVICE

|  |         |  |            |  |            |
|--|---------|--|------------|--|------------|
|  | Steel   |  | 118", 136" |  | Low / High |
|  | 326 lbs |  | 4.6 hrs    |  | Yes        |

| Qty | Part #    | Description  |
|-----|-----------|--|
| 1   | 6070      | 6" Hook, 3" opening, painted                               |
| 1   | 6072      | 8" Swivel hook, 4" opening, painted                        |
| 4   | 62-U1114  | 14" Deep plastic bin                                       |
| 2   | 62-UDR14  | Set of 5 dividers for a 14" shelf                          |
| 1   | C20-X     | Straight steel partition with perforated window, no access |
| 1   | N5-RS48-4 | Steel shelving unit, 14" D x 48" W x 62" H                 |
| 1   | N5-RS72-4 | Steel shelving unit, 14" D x 72" W x 62" H                 |
| 2   | X50-B     | Compact 2-drawer unit                                      |



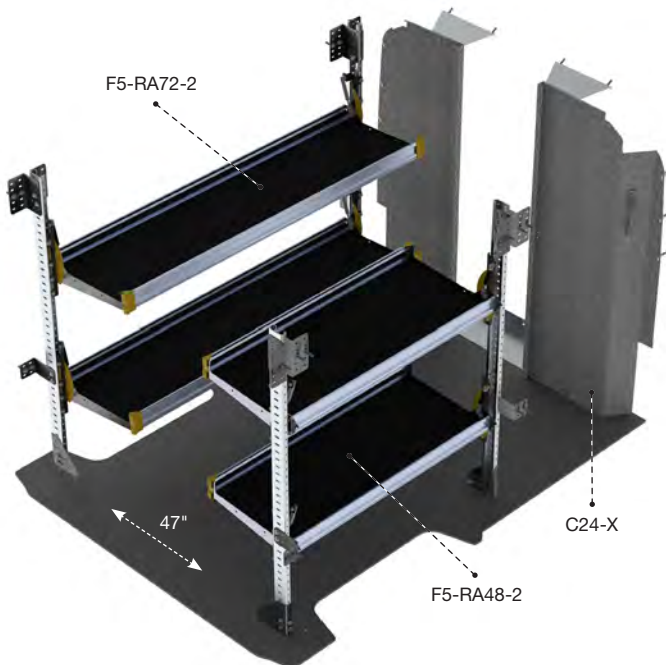
### RPL-16 SERVICE

|  |         |  |                 |  |      |
|--|---------|--|-----------------|--|------|
|  | Steel   |  | 159", 159" Ext. |  | High |
|  | 359 lbs |  | 4.6 hrs         |  | Yes  |

| Qty | Part #    | Description  |
|-----|-----------|--|
| 1   | 6070      | 6" Hook, 3" opening, painted                               |
| 1   | 6072      | 8" Swivel hook, 4" opening, painted                        |
| 5   | 62-U1114  | 14" Deep plastic bin                                       |
| 2   | 62-UDR14  | Set of 5 dividers for a 14" shelf                          |
| 1   | C20-X     | Straight steel partition with perforated window, no access |
| 1   | N5-RS60-4 | Steel shelving unit, 14" D x 60" W x 62" H                 |
| 1   | N5-RS96-4 | Steel shelving unit, 14" D x 96" W x 62" H                 |
| 2   | X50-B     | Compact 2-drawer unit                                      |



RAM PROMASTER

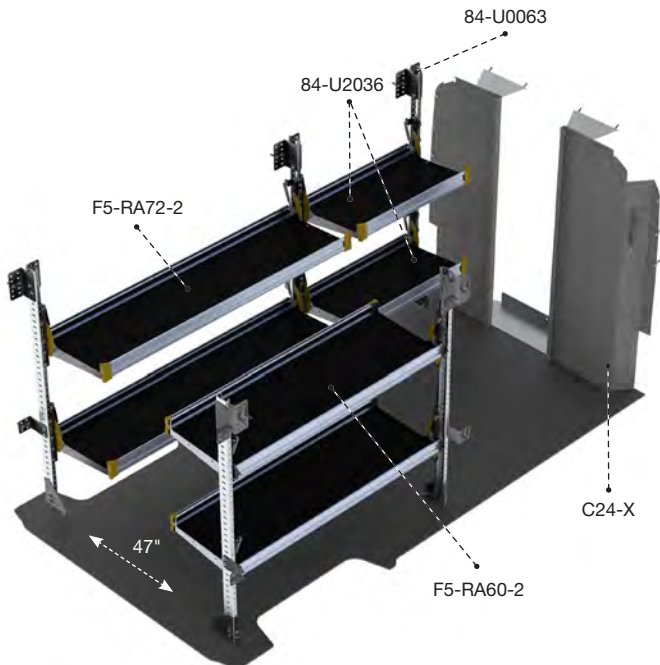


**RPS-19**  
DELIVERY

|          |            |            |
|----------|------------|------------|
| Aluminum | 118", 136" | Low / High |
| 228 lbs  | 4.2 hrs    | Yes        |

| Qty | Part #    | Description                                     |
|-----|-----------|---|
| 1   | C24-X     | Straight walk through steel partition           |
| 1   | F5-RA72-2 | Fold-away unit, 2 levels, 25" D x 72" W x 63" H |
| 1   | F5-RA48-2 | Fold-away unit, 2 levels, 25" D x 48" W x 63" H |

PACKAGES



**RPL-19**  
DELIVERY

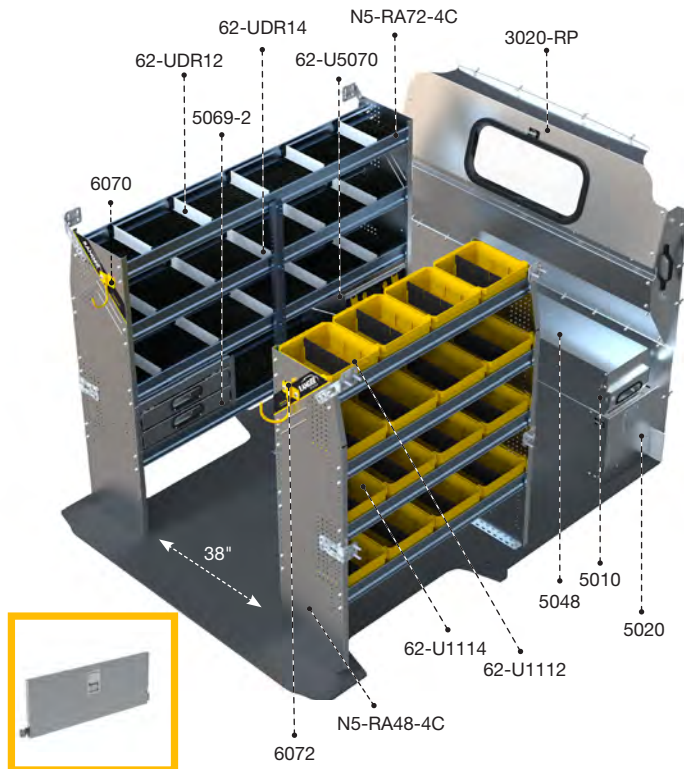
|          |                 |      |
|----------|-----------------|------|
| Aluminum | 159", 159" Ext. | High |
| 289 lbs  | 5.3 hrs         | Yes  |

| Qty | Part #    | Description                                     |
|-----|-----------|---|
| 1   | C24-X     | Straight walk through partition                 |
| 1   | F5-RA60-2 | Fold-away unit, 2 levels, 25" D x 60" W x 63" H |
| 1   | F5-RA72-2 | Fold-away unit, 2 levels, 25" D x 72" W x 63" H |
| 1   | 84-U0063  | Post assembly for fold-away shelving, 63"       |
| 2   | 84-U2036  | Fold-away shelf tray, 20" D x 36" W             |



## RAM PROMASTER

PACKAGES

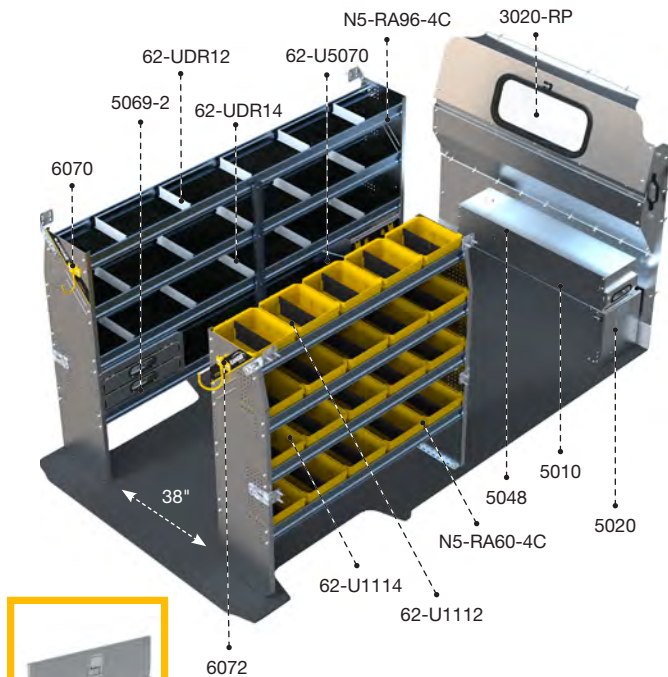


77-U1048

### RPS-27 ALUMINUM

|  |          |  |            |  |            |
|--|----------|--|------------|--|------------|
|  | Aluminum |  | 118", 136" |  | Low / High |
|  | 386 lbs  |  | 7.3 hrs    |  | Yes        |

| Qty | Part #            | Description   |
|-----|-------------------|---|
| 1   | <b>3020-RP</b>    | Countoured safety partition with glass window                 |
| 1   | <b>5010</b>       | Partslider 48" D  |
| 1   | <b>5020</b>       | Tool drawer 48" D x 14" W x 16" H                             |
| 1   | <b>5048</b>       | Top edge  |
| 1   | <b>5069-2</b>     | 2 Drawer cabinet  |
| 2   | <b>62-U5070</b>   | Partskeeper carry case with holder                            |
| 1   | <b>6070</b>       | 6" Hook, 3" opening, painted                                  |
| 1   | <b>6072</b>       | 8" Swivel hook, 4" opening, painted                           |
| 4   | <b>62-U1112</b>   | 12" Deep plastic bin  |
| 12  | <b>62-U1114</b>   | 14" Deep plastic bin  |
| 1   | <b>62-UDR12</b>   | Set of 5 dividers for a 12" shelf                             |
| 2   | <b>62-UDR14</b>   | Set of 5 dividers for a 14" shelf                             |
| 1   | <b>77-U1048</b>   | Adjustable shelving door unit - 45" W - for 48" & 96" shelves |
| 1   | <b>N5-RA48-4C</b> | Composite Aluminum shelving unit, 14" D x 48" W x 62" H       |
| 1   | <b>N5-RA72-4C</b> | Composite Aluminum shelving unit, 14" D x 72" W x 62" H       |



77-U1060

### RPL-27 ALUMINUM

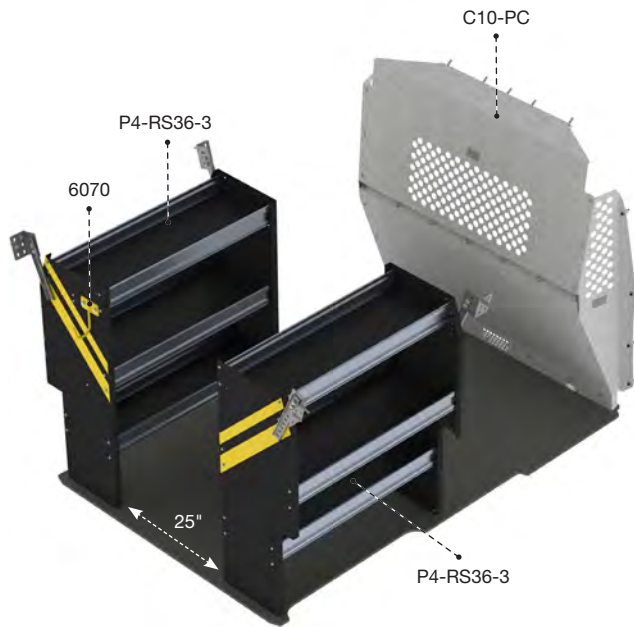
|  |          |  |                 |  |      |
|--|----------|--|-----------------|--|------|
|  | Aluminum |  | 159", 159" Ext. |  | High |
|  | 416 lbs  |  | 7.3 hrs         |  | Yes  |

| Qty | Part #            | Description   |
|-----|-------------------|---|
| 1   | <b>3020-RP</b>    | Countoured safety partition with glass window           |
| 1   | <b>5010</b>       | Partslider 48" D  |
| 1   | <b>5020</b>       | Tool drawer 48" D x 14" W x 16" H                       |
| 1   | <b>5048</b>       | Top edge  |
| 1   | <b>5069-2</b>     | 2 Drawer cabinet  |
| 2   | <b>62-U5070</b>   | Partskeeper carry case with holder                      |
| 1   | <b>6070</b>       | 6" Hook, 3" opening, painted                            |
| 1   | <b>6072</b>       | 8" Swivel hook, 4" opening, painted                     |
| 5   | <b>62-U1112</b>   | 12" deep plastic bin                                    |
| 15  | <b>62-U1114</b>   | 14" deep plastic bin                                    |
| 1   | <b>62-UDR12</b>   | Set of 5 dividers for a 12" Shelf                       |
| 2   | <b>62-UDR14</b>   | Set of 5 dividers for a 14" Shelf                       |
| 1   | <b>77-U1060</b>   | Adjustable shelving door unit - 57" W - for 60" shelves |
| 1   | <b>N5-RA60-4C</b> | Composite Aluminum Shelving unit, 14" D x 60" W x 62" H |
| 1   | <b>N5-RA96-4C</b> | Composite Aluminum Shelving unit, 14" D x 96" W x 62" H |





RAM **PROMASTER CITY**

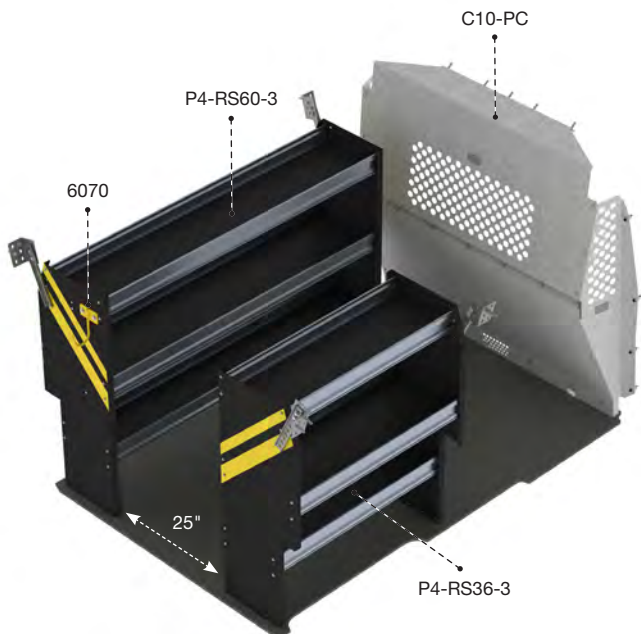


**PMC-10**  
CONTRACTOR

|         |         |          |
|---------|---------|----------|
| Steel   | 122"    | Standard |
| 156 lbs | 3.2 hrs | Yes      |

| Qty | Part #    | Description                                      |
|-----|-----------|--|
| 1   | 6070      | 6" Hook, 3" opening, painted                     |
| 1   | C10-PC    | Contoured steel partition with perforated window |
| 2   | P4-RS36-3 | Steel shelving unit, 14" D x 36" W x 42" H       |

PACKAGES



**PMD-10**  
CONTRACTOR

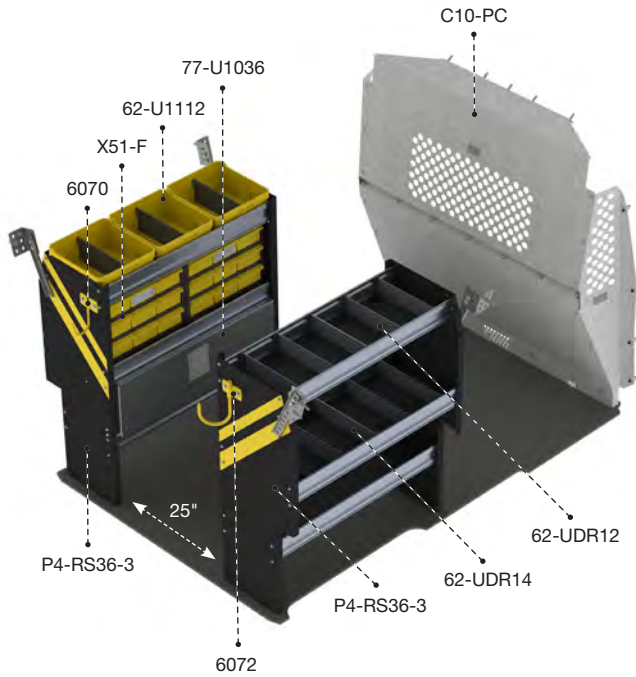
|         |         |          |
|---------|---------|----------|
| Steel   | 122"    | Standard |
| 170 lbs | 3.2 hrs | Yes      |

| Qty | Part #    | Description                                      |
|-----|-----------|--|
| 1   | 6070      | 6" Hook, 3" opening, painted                     |
| 1   | C10-PC    | Contoured steel partition with perforated window |
| 1   | P4-RS36-3 | Steel shelving unit, 14" D x 36" W x 42" H       |
| 1   | P4-RS60-3 | Steel shelving unit, 14" D x 60" W x 42" H       |



## RAM PROMASTER CITY

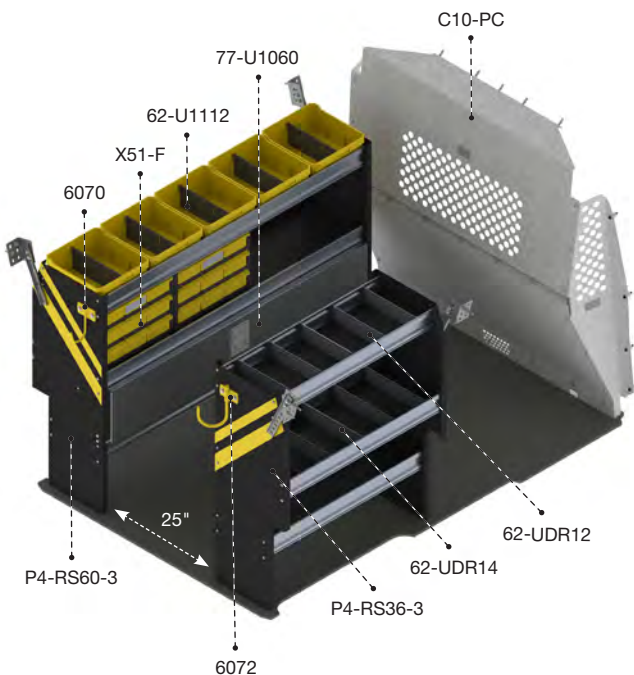
PACKAGES



### PMC-11 ELECTRICAL

|         |         |          |
|---------|---------|----------|
| Steel   | 122"    | Standard |
| 230 lbs | 4.5 hrs | Yes      |

| Qty | Part #    | Description   |
|-----|-----------|---|
| 1   | 6070      | 6" Hook, 3" opening, painted                                  |
| 1   | 6072      | 8" Swivel hook, 4" opening, painted                           |
| 3   | 62-U1112  | 12" Deep plastic bin  |
| 1   | 62-UDR12  | Set of 5 dividers for a 12" shelf                             |
| 1   | 62-UDR14  | Set of 5 dividers for a 14" shelf                             |
| 1   | 77-U1036  | Adjustable shelving door unit - 33" W - for 36" & 72" shelves |
| 1   | C10-PC    | Contoured steel partition with perforated window              |
| 2   | P4-RS36-3 | Steel shelving units, 14" D x 36" H x 42" W                   |
| 2   | X51-F     | Compact 9-drawer unit   |



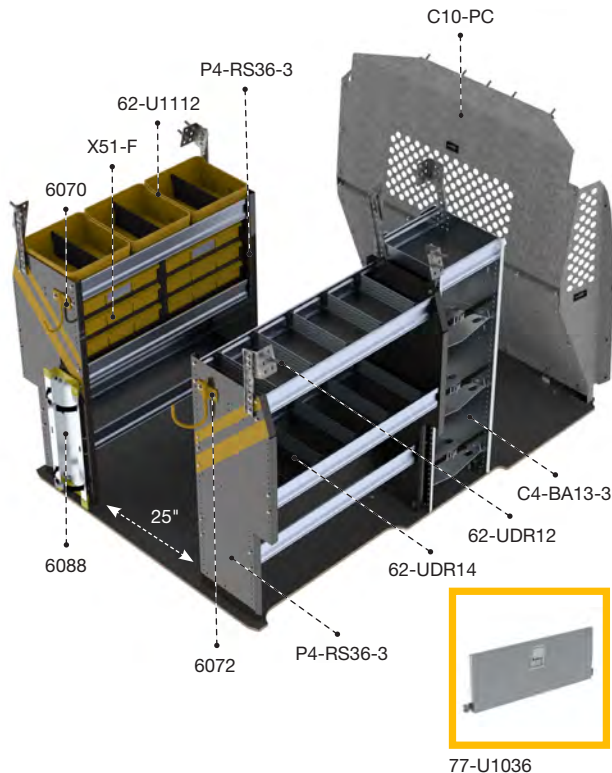
### PMD-11 ELECTRICAL

|         |         |          |
|---------|---------|----------|
| Steel   | 122"    | Standard |
| 251 lbs | 4.5 hrs | Yes      |

| Qty | Part #    | Description   |
|-----|-----------|---|
| 1   | 6070      | 6" Hook, 3" opening, painted                            |
| 1   | 6072      | 8" Swivel hook, 4" opening, painted                     |
| 5   | 62-U1112  | 12" Deep plastic bin                                    |
| 1   | 62-UDR12  | Set of 5 dividers for a 12" shelf                       |
| 1   | 62-UDR14  | Set of 5 dividers for a 14" shelf                       |
| 1   | 77-U1060  | Adjustable shelving door unit - 57" W - for 60" shelves |
| 1   | C10-PC    | Contoured steel partition with perforated window        |
| 1   | P4-RS36-3 | Steel shelving unit, 14" D x 36" H x 42" W              |
| 1   | P4-RS60-3 | Steel shelving unit, 14" D x 60" H x 42" W              |
| 2   | X51-F     | Compact 9-drawer unit                                   |



## RAM PROMASTER CITY



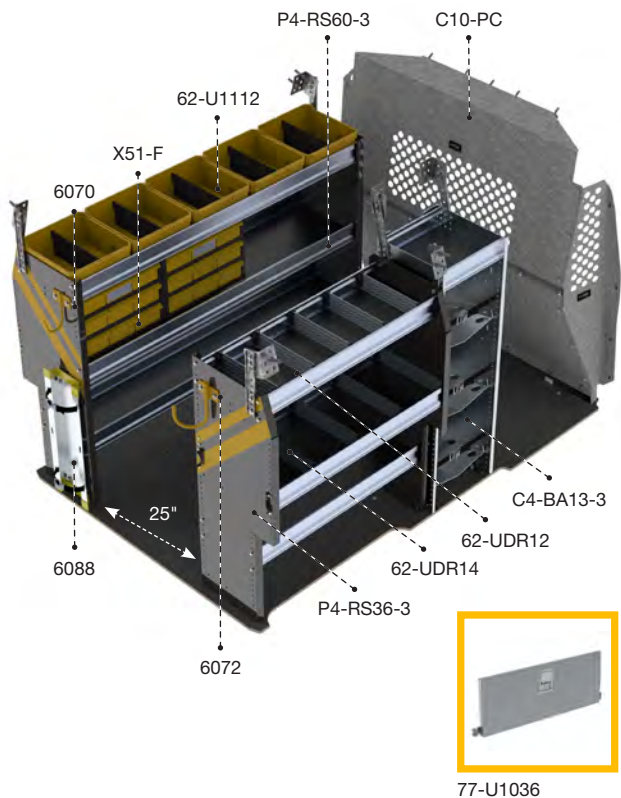
### PMC-12

HVAC

|         |         |          |
|---------|---------|----------|
| Steel   | 122"    | Standard |
| 260 lbs | 5.3 hrs | Yes      |

| Qty | Part #    | Description   |
|-----|-----------|---|
| 1   | C4-BA13-3 | 3 Tier refrigerant rack for large bottles                     |
| 1   | 6070      | 6" Hook, 3" opening, painted                                  |
| 1   | 6072      | 8" Swivel hook, 4" opening, painted                           |
| 1   | 6088      | Large aluminum bottle holder, with two black nylon straps     |
| 3   | 62-U1112  | 12" Deep plastic bin  |
| 1   | 62-UDR12  | Set of 5 dividers for a 12" shelf                             |
| 1   | 62-UDR14  | Set of 5 dividers for a 14" shelf                             |
| 1   | 77-U1036  | Adjustable shelving door unit - 33" W - for 36" & 72" shelves |
| 1   | C10-PC    | Contoured steel partition with perforated window              |
| 2   | P4-RS36-3 | Steel shelving units, 14" D x 36" W x 42" H                   |
| 2   | X51-F     | Compact 9-drawer unit   |

PACKAGES



### PMD-12

HVAC

|         |         |          |
|---------|---------|----------|
| Steel   | 122"    | Standard |
| 278 lbs | 5.3 hrs | Yes      |

| Qty | Part #    | Description   |
|-----|-----------|---|
| 1   | C4-BA13-3 | 3 Tier refrigerant rack for large bottles                     |
| 1   | 6070      | 6" Hook, 3" opening, painted                                  |
| 1   | 6072      | 8" Swivel hook, 4" opening, painted                           |
| 1   | 6088      | Large aluminum bottle holder, with two black nylon straps     |
| 5   | 62-U1112  | 12" Deep plastic bin  |
| 1   | 62-UDR12  | Set of 5 dividers for a 12" shelf                             |
| 1   | 62-UDR14  | Set of 5 dividers for a 14" shelf                             |
| 1   | 77-U1036  | Adjustable shelving door unit - 33" W - for 36" & 72" shelves |
| 1   | C10-PC    | Contoured steel partition with perforated window              |
| 1   | P4-RS36-3 | Steel shelving unit, 14" D x 36" W x 42" H                    |
| 1   | P4-RS60-3 | Steel shelving unit, 14" D x 60" W x 42" H                    |
| 2   | X51-F     | Compact 9-drawer unit   |



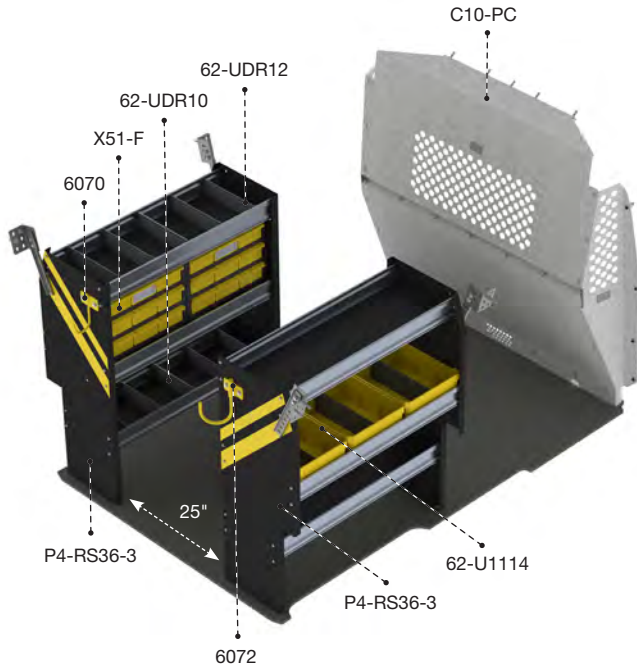
SERVICE  
**PMC-16**

RAM **PROMASTER CITY**





RAM **PROMASTER CITY**

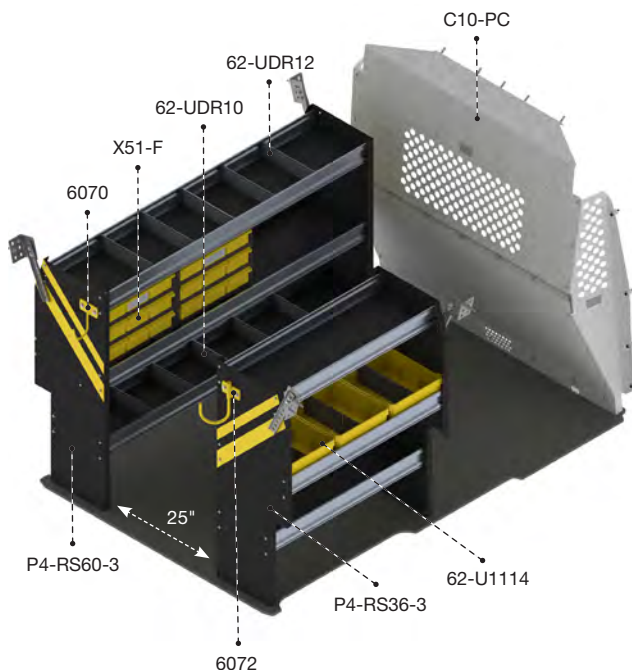


**PMC-16**  
SERVICE

|         |       |          |
|---------|-------|----------|
| Steel   | 122"  | Standard |
| 223 lbs | 4 hrs | Yes      |

| Qty | Part #    | Description                                      |
|-----|-----------|--|
| 1   | 6070      | 6" Hook, 3" opening, painted                     |
| 1   | 6072      | 8" Swivel hook, 4" opening, painted              |
| 3   | 62-U1114  | 14" Deep plastic bin                             |
| 1   | 62-UDR10  | Set of 5 dividers for a 10" shelf                |
| 1   | 62-UDR12  | Set of 5 dividers for a 12" shelf                |
| 1   | C10-PC    | Contoured steel partition with perforated window |
| 2   | P4-RS36-3 | Steel shelving units, 14" D x 36" W x 42" H      |
| 2   | X51-F     | Compact 9-drawer unit                            |

PACKAGES



**PMD-16**  
SERVICE

|         |       |          |
|---------|-------|----------|
| Steel   | 122"  | Standard |
| 237 lbs | 4 hrs | Yes      |

| Qty | Part #    | Description                                      |
|-----|-----------|--|
| 1   | 6070      | 6" Hook, 3" opening, painted                     |
| 1   | 6072      | 8" Swivel hook, 4" opening, painted              |
| 3   | 62-U1114  | 14" Deep plastic bin                             |
| 1   | 62-UDR10  | Set of 5 dividers for a 10" shelf                |
| 1   | 62-UDR12  | Set of 5 dividers for a 12" shelf                |
| 1   | C10-PC    | Contoured steel partition with perforated window |
| 1   | P4-RS36-3 | Steel shelving unit, 14" D x 36" W x 42" H       |
| 1   | P4-RS60-3 | Steel shelving unit, 14" D x 60" W x 42" H       |
| 2   | X51-F     | Compact 9-drawer unit                            |



## RAM PROMASTER CITY

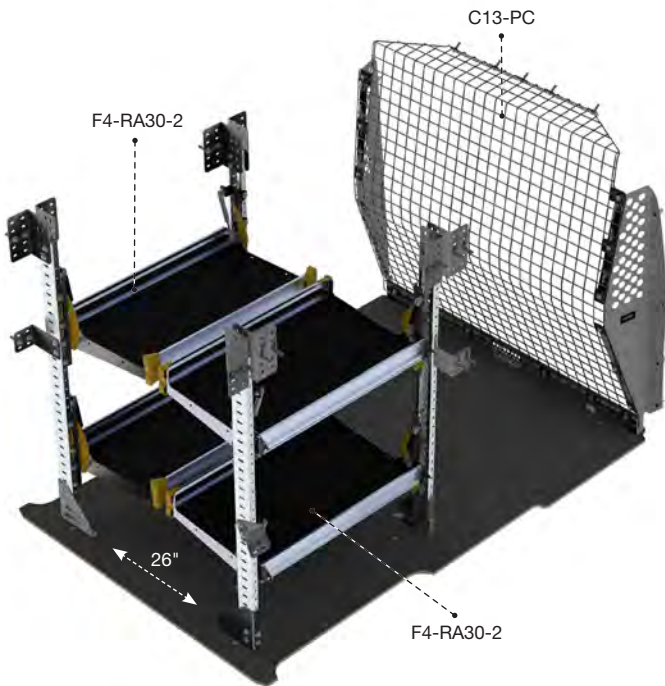
PACKAGES



### PMC-19 DELIVERY

|          |       |          |
|----------|-------|----------|
| Aluminum | 122"  | Standard |
| 161 lbs  | 2 hrs | Yes      |

| Qty | Part #        | Description   |
|-----|---------------|---|
| 1   | <b>5032-1</b> | Axess tray with 1 shelf and 1 drawer, 38" D x 45" W x 30" H |
| 1   | <b>C13-PC</b> | Wire mesh partition, 38" D x 45" W x 30" H                  |



### PMD-19 DELIVERY

|          |         |          |
|----------|---------|----------|
| Aluminum | 122"    | Standard |
| 188 lbs  | 4.2 hrs | Yes      |

| Qty | Part #           | Description                                     |
|-----|------------------|---|
| 1   | <b>C13-PC</b>    | Wire mesh partition                             |
| 2   | <b>F4-RA30-2</b> | Fold-away unit, 2 levels, 22" D x 30" W x 47" H |



# DELIVERY PMD-19

**RAM PROMASTER CITY**



**LEGEND**



Wheelbase



Roof Height



Weight



Estimated Install Time



Quickship



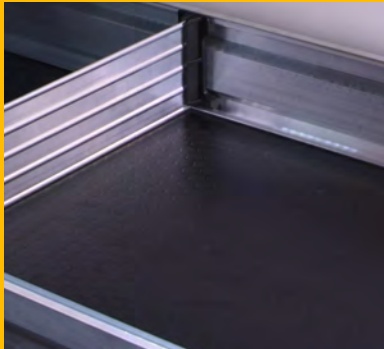
## **VAN SHELVING**

Industry leading strength.  
The perfect fit for your toughest jobs.





**TOUGH**  
Extrusion builds durability into shelf.



**QUIET**  
Shelf tray, end panel and extrusion are engineered to be vibration free.



**ORGANIZED**  
A well-planned van outfit increases productivity.

# VAN SHELVING

**APPLICATION GUIDE** . . . . . P. 132

**NOMENCLATURE** . . . . . P. 130

## VAN SHELVING ACCESSORIES

BINS . . . . . P. 143

DIVIDERS (LOW AND HIGH) . . . . . P. 142

SHELF BLOCK KIT . . . . . P. 143

RETAINER LIP . . . . . P. 143

**VAN SHELVING DOORS** . . . . . P. 141

## VAN SHELVING

FOLD-AWAY SHELVING UNIT . . . . . P. 144

SHELVING UNIT FOR LOW ROOF VAN . . . . . P. 134

SHELVING UNIT FOR DEEP HIGH ROOF VAN . . . . . P. 135

SHELVING UNIT FOR HIGH ROOF VAN . . . . . P. 136

SHELVING UNIT FOR PROMASTER CITY . . . . . P. 137

SHELVING UNIT FOR SQUARE BACK SHELVING . . . . . P. 138

SHELVING UNIT FOR TRANSIT CONNECT . . . . . P. 140

Ranger Design shelving is built strong and durable and often outlasts the vehicle. Designed to fit with maximum efficiency, Ranger Design shelving optimizes the space in a work van's cargo area.



# RANGER DESIGN'S SHELVING

We want to simplify the customers' experience and make it easier to install both the shelving and the accessories.

This simple line of shelving makes it easy for you to stock. It enables you to upfit vans faster and to put them on the road quickly.

The benefits of Ranger Design shelving :

- › Simple product line
- › Easy installation in all vans
- › High quality
- › Steel line for quality and value
- › Aluminum and Composite Aluminum line for increased payload

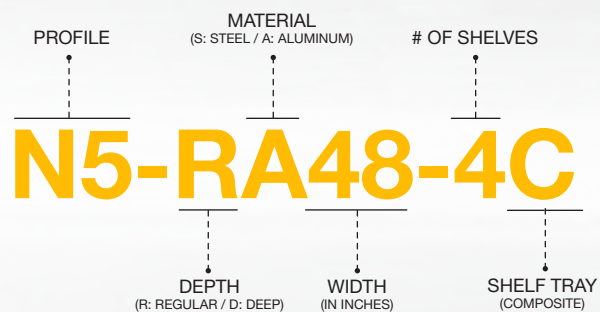
## UNITS OFFERED

| Description  | Size<br>(shelf tray & height) | Materials                    | Fits   | 36 | 48 | 60 | 72 | 84 | 96 |
|--|-------------------------------|------------------------------|--|----|----|----|----|----|----|
| <b>High Roof Van<br/>(Square back with Notch)</b>      | 14" x 62.5"                   | Steel, Composite<br>Aluminum | Box Truck, Step Van & Trailer, Nissan NV,<br>ProMaster, Sprinter, Transit    | ×  | ×  | ×  | ×  | ×  | ×  |
| <b>Deep High Roof Van<br/>(Square back with Notch)</b> | 18" x 62.5"                   | Steel                        | Box Truck, Step Van & Trailer, Nissan NV,<br>ProMaster, Sprinter, Transit    | ×  | ×  | ×  | ×  | ×  | ×  |
| <b>Low Roof Van<br/>(Square back with Notch)</b>       | 14" x 46.5"                   | Steel, Composite<br>Aluminum | Box Truck, Step Van & Trailer, Metris,<br>Nissan NV, NV 200, Savana, Transit | ×  | ×  | ×  | ×  | ×  | ×  |
| <b>Transit Connect</b>                                 | 14" x 46.5"                   | Steel, Aluminum              | Transit Connect  | ×  |    | ×  |    |    |    |
| <b>ProMaster City</b>                                  | 14" x 46.5"                   | Steel, Aluminum              | ProMaster City   | ×  |    | ×  |    |    |    |
| <b>Square back shelving</b>                            | 14" x 26"                     | Steel, Composite<br>Aluminum | Box Truck, Step Van & Trailer  | ×  | ×  | ×  |    |    |    |
| <b>Square back shelving</b>                            | 14" x 34"                     | Steel, Composite<br>Aluminum | Box Truck, Step Van & Trailer  | ×  | ×  | ×  |    |    |    |

## CONFIGURATION

- › 7 Profiles
- › Shelving comes as a base model
- › Shelves can be upgraded with bins or with dividers
- › All shelves are flat to allow for either bins or dividers

## NOMENCLATURE



### 7 PROFILES

|             |                                   |
|-------------|-----------------------------------|
| <b>N4</b>   | 44.5" H with notch at the back    |
| <b>N5-D</b> | 62" H Deep with notch at the back |
| <b>N5-R</b> | 62" H with notch at the back      |
| <b>P4</b>   | 42" H Contoured ProMaster City    |
| <b>S2</b>   | 26" H Square back                 |
| <b>S3</b>   | 34" H Square back                 |
| <b>T4</b>   | 41.5" H Contoured Transit Connect |



# Application Guide

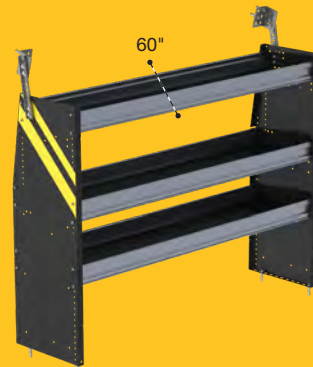


| Type                                   | Material           | Box Truck, Step Van & Trailer | Chevrolet Express | Ford Transit 130" | Ford Transit 148" | Ford Transit 148" Ext. | Ford Transit Connect | GMC Savana | Mercedes-Benz Metris 126" |
|--|--------------------|-------------------------------|-------------------|-------------------|-------------------|------------------------|----------------------|------------|---------------------------|
| N4 44.5" H with notch at the back      | Composite Aluminum | P. 134                        | P. 134            | P. 134            | P. 134            |                        |                      | P. 134     | P. 134                    |
| N4 44.5" H with notch at the back      | Steel              | P. 134                        | P. 134            | P. 134            | P. 134            |                        |                      | P. 134     | P. 134                    |
| N5-D 62" H Deep with notch at the back | Steel              | P. 135                        |                   | P. 135            | P. 135            | P. 135                 |                      |            |                           |
| N5-R 62" H with notch at the back      | Composite Aluminum | P. 136                        |                   | P. 136            | P. 136            | P. 136                 |                      |            |                           |
| N5-R 62" H with notch at the back      | Steel              | P. 136                        |                   | P. 136            | P. 136            | P. 136                 |                      |            |                           |
| P4 42" H Contoured ProMaster City      | Aluminum           |                               |                   |                   |                   |                        |                      |            |                           |
| P4 42" H Contoured ProMaster City      | Steel              |                               |                   |                   |                   |                        |                      |            |                           |
| S2 26" H Square back                   | Aluminum           | P. 138                        |                   |                   |                   |                        |                      |            |                           |
| S2 26" H Square back                   | Steel              | P. 138                        |                   |                   |                   |                        |                      |            |                           |
| S3 34" H Square back                   | Aluminum           | P. 139                        |                   |                   |                   |                        |                      |            |                           |
| S3 34" H Square back                   | Steel              | P. 139                        |                   |                   |                   |                        |                      |            |                           |
| T4 41.5" H Contoured Transit Connect   | Aluminum           |                               |                   |                   |                   |                        | P. 140               |            |                           |











VAN SHELVING

# SHELVING SIZES

DESIGNED TO INTEGRATE WITH RANGER DESIGN'S FLOORS



See page P. 141 for accessories

|   |   |   |  |   |   |   |   |   |   |
|---|---|---|--|---|---|---|---|---|---|
|  |  |  |  |  |  |  |  |  |  |
| Mercedes-Benz Metris 135"   | Mercedes-Benz Sprinter  | Nissan NV 146" Low Roof   | Nissan NV 146" High Roof   | Nissan NV200 115"   | Ram ProMaster 118"  | Ram ProMaster 136"  | Ram ProMaster 159"  | Ram ProMaster 159" Ext  | Ram ProMaster City 122"   |
| P. 134  |   | P. 134  |  | P. 134  |   |   |   |   |   |
| P. 134  |   | P. 134  |  | P. 134  |   |   |   |   |   |
|   | P. 135  |   | P. 135   |   | P. 135  | P. 135  | P. 135  | P. 135  |   |
|   | P. 136  |   | P. 136   |   | P. 136  | P. 136  | P. 136  | P. 136  |   |
|   | P. 136  |   | P. 136   |   | P. 136  | P. 136  | P. 136  | P. 136  |   |
|   |   |   |  |   |   |   |   |   | P. 137  |
|   |   |   |  |   |   |   |   |   | P. 137  |
|   |   |   |  |   |   |   |   |   |   |
|   |   |   |  |   |   |   |   |   |   |
|   |   |   |  |   |   |   |   |   |   |
|   |   |   |  |   |   |   |   |   |   |
|   |   |   |  |   |   |   |   |   |   |

VAN SHELVING

## SHELF TRAYS

- › Shelf trays use aluminum extrusion for extra strength
- › 3" High extrusions for maximum strength and utility
- › Aluminum shelves have a composite shelf tray base
- › Steel shelves have a marine grade plywood base



# VAN SHELVING – UNIT FOR LOW ROOF VAN

N4-RA60-3C



N4-RA96-3C



| Composite Aluminum | Dimensions              | Weight | Shelf Opening             | Part Number        | Assembly Time | Fitment |
|--------------------|-------------------------|--------|---------------------------|--------------------|---------------|---------|
| <b>N4-RA36-3C</b>  | 16" D x 36" W x 44.5" H | 32 lbs | 3 Shelves (12", 14", 14") | 77-U1036           | 1 hr          | Yes     |
| <b>N4-RA48-3C</b>  | 16" D x 48" W x 44.5" H | 37 lbs | 3 Shelves (12", 14", 14") | 77-U1048           | 1 hr          | Yes     |
| <b>N4-RA60-3C</b>  | 16" D x 60" W x 44.5" H | 42 lbs | 3 Shelves (12", 14", 14") | 77-U1060           | 1 hr          | Yes     |
| <b>N4-RA72-3C</b>  | 16" D x 72" W x 44.5" H | 49 lbs | 3 Shelves (12", 14", 14") | 77-U1036           | 1.1 hrs       | Yes     |
| <b>N4-RA84-3C</b>  | 16" D x 84" W x 44.5" H | 54 lbs | 3 Shelves (12", 14", 14") | 77-U1036, 77-U1048 | 1.1 hrs       | Yes     |
| <b>N4-RA96-3C</b>  | 16" D x 96" W x 44.5" H | 59 lbs | 3 Shelves (12", 14", 14") | 77-U1048           | 1.1 hrs       | Yes     |



Box Truck, Step Van & Trailer



Chevrolet Express



Ford Transit



GMC Savana



Mercedes-Benz Metris



Nissan NV



Nissan NV200

**Will only fit upto specific length**

Mercedes-Benz Metris 126" upto 72"  
Mercedes-Benz Metris 135" upto 84"  
Nissan NV200 115" upto 60"

**Shelving on this page fits inside these vehicles**

N4-RS60-3



N4-RS96-3



| Steel            | Dimensions              | Weight   | Shelf Opening             | Part Number        | Assembly Time | Fitment |
|------------------|-------------------------|----------|---------------------------|--------------------|---------------|---------|
| <b>N4-RS36-3</b> | 16" D x 36" W x 44.5" H | 50 lbs   | 3 Shelves (12", 14", 14") | 77-U1036           | 1 hr          | Yes     |
| <b>N4-RS48-3</b> | 16" D x 48" W x 44.5" H | 57.5 lbs | 3 Shelves (12", 14", 14") | 77-U1048           | 1 hr          | Yes     |
| <b>N4-RS60-3</b> | 16" D x 60" W x 44.5" H | 65 lbs   | 3 Shelves (12", 14", 14") | 77-U1060           | 1 hr          | Yes     |
| <b>N4-RS72-3</b> | 16" D x 72" W x 44.5" H | 74.5 lbs | 3 Shelves (12", 14", 14") | 77-U1036           | 1.1 hrs       | Yes     |
| <b>N4-RS84-3</b> | 16" D x 84" W x 44.5" H | 82 lbs   | 3 Shelves (12", 14", 14") | 77-U1036, 77-U1048 | 1.1 hrs       | Yes     |
| <b>N4-RS96-3</b> | 16" D x 96" W x 44.5" H | 90 lbs   | 3 Shelves (12", 14", 14") | 77-U1048           | 1.1 hrs       | Yes     |

# VAN SHELVING – DEEP SHELVING FOR HIGH ROOF VAN

N5-DS60-4



N5-DS96-4



| Steel            |                       |            |                                |                    |         |     |
|------------------|-----------------------|------------|--------------------------------|--------------------|---------|-----|
| <b>N5-DS36-4</b> | 20" D x 36" W x 62" H | 74 lbs     | 4 Shelves (16", 18", 18", 18") | 77-U1036           | 1.2 hrs | Yes |
| <b>N5-DS48-4</b> | 20" D x 48" W x 62" H | 92.25 lbs  | 4 Shelves (16", 18", 18", 18") | 77-U1048           | 1.2 hrs | Yes |
| <b>N5-DS60-4</b> | 20" D x 60" W x 62" H | 104.25 lbs | 4 Shelves (16", 18", 18", 18") | 77-U1060           | 1.2 hrs | Yes |
| <b>N5-DS72-4</b> | 20" D x 72" W x 62" H | 119 lbs    | 4 Shelves (16", 18", 18", 18") | 77-U1036           | 1.4 hrs | Yes |
| <b>N5-DS84-4</b> | 20" D x 84" W x 62" H | 131 lbs    | 4 Shelves (16", 18", 18", 18") | 77-U1036, 77-U1048 | 1.4 hrs | Yes |
| <b>N5-DS96-4</b> | 20" D x 96" W x 62" H | 143 lbs    | 4 Shelves (16", 18", 18", 18") | 77-U1048           | 1.4 hrs | Yes |



Shelving on this page fits inside these vehicles



VAN SHELVING

# VAN SHELVING – UNIT FOR HIGH ROOF VAN



| Composite Aluminum |                       |        |                                |                    |         |     |
|--------------------|-----------------------|--------|--------------------------------|--------------------|---------|-----|
| <b>N5-RA36-4C</b>  | 16" D x 36" W x 62" H | 43 lbs | 4 Shelves (12", 14", 14", 14") | 77-U1036           | 1.2 hrs | Yes |
| <b>N5-RA48-4C</b>  | 16" D x 48" W x 62" H | 50 lbs | 4 Shelves (12", 14", 14", 14") | 77-U1048           | 1.2 hrs | Yes |
| <b>N5-RA60-4C</b>  | 16" D x 60" W x 62" H | 57 lbs | 4 Shelves (12", 14", 14", 14") | 77-U1060           | 1.2 hrs | Yes |
| <b>N5-RA72-4C</b>  | 16" D x 72" W x 62" H | 66 lbs | 4 Shelves (12", 14", 14", 14") | 77-U1036           | 1.4 hrs | Yes |
| <b>N5-RA84-4C</b>  | 16" D x 84" W x 62" H | 73 lbs | 4 Shelves (12", 14", 14", 14") | 77-U1036, 77-U1048 | 1.4 hrs | Yes |
| <b>N5-RA96-4C</b>  | 16" D x 96" W x 62" H | 80 lbs | 4 Shelves (12", 14", 14", 14") | 77-U1048           | 1.4 hrs | Yes |



## Shelving on this page fits inside these vehicles



| Steel            |                       |           |                                |                    |         |     |
|------------------|-----------------------|-----------|--------------------------------|--------------------|---------|-----|
| <b>N5-RS36-4</b> | 16" D x 36" W x 62" H | 67.75 lbs | 4 Shelves (12", 14", 14", 14") | 77-U1036           | 1.2 hrs | Yes |
| <b>N5-RS48-4</b> | 16" D x 48" W x 62" H | 78 lbs    | 4 Shelves (12", 14", 14", 14") | 77-U1048           | 1.2 hrs | Yes |
| <b>N5-RS60-4</b> | 16" D x 60" W x 62" H | 88 lbs    | 4 Shelves (12", 14", 14", 14") | 77-U1060           | 1.2 hrs | Yes |
| <b>N5-RS72-4</b> | 16" D x 72" W x 62" H | 100.5 lbs | 4 Shelves (12", 14", 14", 14") | 77-U1036           | 1.4 hrs | Yes |
| <b>N5-RS84-4</b> | 16" D x 84" W x 62" H | 111 lbs   | 4 Shelves (12", 14", 14", 14") | 77-U1036, 77-U1048 | 1.4 hrs | Yes |
| <b>N5-RS96-4</b> | 16" D x 96" W x 62" H | 121 lbs   | 4 Shelves (12", 14", 14", 14") | 77-U1048           | 1.4 hrs | Yes |

VAN SHELVING



# VAN SHELVING – UNIT FOR PROMASTER CITY



|                  | Aluminum                 |  |           |                           |          |      |     |
|------------------|--------------------------|--|-----------|---------------------------|----------|------|-----|
| <b>P4-RA36-3</b> | 15.75" D x 36" W x 42" H |  | 37.5 lbs  | 3 Shelves (12", 14", 10") | 77-U1036 | 1 hr | Yes |
| <b>P4-RA60-3</b> | 15.75" D x 60" W x 42" H |  | 51.75 lbs | 3 Shelves (12", 14", 10") | 77-U1060 | 1 hr | Yes |



Ram ProMaster City

Shelving on this page fits inside these vehicles



|                  | Steel                    |  |           |                           |          |      |     |
|------------------|--------------------------|--|-----------|---------------------------|----------|------|-----|
| <b>P4-RS36-3</b> | 15.75" D x 36" W x 42" H |  | 45.25 lbs | 3 Shelves (12", 14", 10") | 77-U1036 | 1 hr | Yes |
| <b>P4-RS60-3</b> | 15.75" D x 60" W x 42" H |  | 59.5 lbs  | 3 Shelves (12", 14", 10") | 77-U1060 | 1 hr | Yes |

# VAN SHELVING – SQUARE BACK SHELVING UNIT



| Aluminum         |                       |          |                      |          |        |     |
|------------------|-----------------------|----------|----------------------|----------|--------|-----|
| <b>S2-RA36-2</b> | 16" D x 36" W x 28" H | 28 lbs   | 2 Shelves (14", 14") | 77-U1036 | 0.9 hr | Yes |
| <b>S2-RA48-2</b> | 16" D x 48" W x 28" H | 33.5 lbs | 2 Shelves (14", 14") | 77-U1048 | 0.9 hr | Yes |
| <b>S2-RA60-2</b> | 16" D x 60" W x 28" H | 38.5 lbs | 2 Shelves (14", 14") | 77-U1060 | 0.9 hr | Yes |



Box Truck,  
Step Van & Trailer

Shelving on this page fits inside these vehicles



| Steel            |                       |          |                      |          |        |     |
|------------------|-----------------------|----------|----------------------|----------|--------|-----|
| <b>S2-RS36-2</b> | 16" D x 36" W x 28" H | 34 lbs   | 2 Shelves (14", 14") | 77-U1036 | 0.9 hr | Yes |
| <b>S2-RS48-2</b> | 16" D x 48" W x 28" H | 39 lbs   | 2 Shelves (14", 14") | 77-U1048 | 0.9 hr | Yes |
| <b>S2-RS60-2</b> | 16" D x 60" W x 28" H | 44.5 lbs | 2 Shelves (14", 14") | 77-U1060 | 0.9 hr | Yes |

# VAN SHELVING – SQUARE BACK SHELVING UNIT



| Aluminum         |                       |           |                           |          |      |     |
|------------------|-----------------------|-----------|---------------------------|----------|------|-----|
| <b>S3-RA36-3</b> | 16" D x 36" W x 36" H | 38.75 lbs | 3 Shelves (14", 14", 14") | 77-U1036 | 1 hr | Yes |
| <b>S3-RA48-3</b> | 16" D x 48" W x 36" H | 46.5 lbs  | 3 Shelves (14", 14", 14") | 77-U1048 | 1 hr | Yes |
| <b>S3-RA60-3</b> | 16" D x 60" W x 36" H | 54.25 lbs | 3 Shelves (14", 14", 14") | 77-U1060 | 1 hr | Yes |



Box Truck,  
Step Van & Trailer

Shelving on this page fits inside these vehicles



| Steel            |                       |           |                           |          |      |     |
|------------------|-----------------------|-----------|---------------------------|----------|------|-----|
| <b>S3-RS36-3</b> | 16" D x 36" W x 36" H | 46 lbs    | 3 Shelves (14", 14", 14") | 77-U1036 | 1 hr | Yes |
| <b>S3-RS48-3</b> | 16" D x 48" W x 36" H | 54 lbs    | 3 Shelves (14", 14", 14") | 77-U1048 | 1 hr | Yes |
| <b>S3-RS60-3</b> | 16" D x 60" W x 36" H | 61.75 lbs | 3 Shelves (14", 14", 14") | 77-U1060 | 1 hr | Yes |

# VAN SHELVING – UNIT FOR TRANSIT CONNECT



| Material         | Dimensions                 | Weight | Shelf Opening             | Part Number | Lead Time | MP  |
|------------------|----------------------------|--------|---------------------------|-------------|-----------|-----|
| Aluminum         |                            |        |                           |             |           |     |
| <b>T4-RA36-3</b> | 15.75" D x 36" W x 41.5" H | 39 lbs | 3 Shelves (14", 14", 12") | 77-U1036    | 1 hr      | Yes |
| <b>T4-RA60-3</b> | 15.75" D x 60" W x 41.5" H | 54 lbs | 3 Shelves (14", 14", 12") | 77-U1060    | 1 hr      | Yes |

VAN SHELVING



Shelving on this page fits inside these vehicles



| Material         | Dimensions                 | Weight | Shelf Opening             | Part Number | Lead Time | MP  |
|------------------|----------------------------|--------|---------------------------|-------------|-----------|-----|
| Steel            |                            |        |                           |             |           |     |
| <b>T4-RS36-3</b> | 15.75" D x 36" W x 41.5" H | 47 lbs | 3 Shelves (14", 14", 12") | 77-U1036    | 1 hr      | Yes |
| <b>T4-RS60-3</b> | 15.75" D x 60" W x 41.5" H | 62 lbs | 3 Shelves (14", 14", 12") | 77-U1060    | 1 hr      | Yes |





# SHELVING DOORS

3 different doors are available to fit all our shelving units, according to the width of the shelf.



**It's Simple:**

- > Adjustable height
- > Drill free install
- > Very easy to stock

| Aluminum |  | Use with shelf width |  |  |  |
|----------|---|----------------------|---|---|---|
| 77-U1036 | 36" adjustable  | 36", 72", 84"        | 7.2 lbs   | 0.5 hr  | Yes   |
| 77-U1048 | 48" adjustable  | 48", 84", 96"        | 8.9 lbs   | 0.5 hr  | Yes   |
| 77-U1060 | 60" adjustable  | 60"                  | 10.6 lbs  | 0.5 hr  | Yes   |

84" Shelf will accommodate one 77-U1036 and one 77-U1048 only.






VAN SHELVING

# DIVIDERS

## SET OF FIVE

- > Sold in packs of 5 for each depth of shelf tray
- > Infinitely adjustable
- > Metal extrusion for strength, plastic clips to ensure no noise






| Material        | Dimensions  | Weight  | Shelf Opening   |
|-----------------|---|---|---|
| Aluminum        |  |  |  |
| <b>62-UDR10</b> | 10" D × 1.125" W × 3" H   | 1.1 lbs   | Yes   |
| <b>62-UDR12</b> | 12" D × 1.125" W × 3" H   | 1.3 lbs   | Yes   |
| <b>62-UDR14</b> | 14" D × 1.125" W × 3" H   | 1.5 lbs   | Yes   |
| <b>62-UDR16</b> | 16" D × 1.125" W × 3" H   | 1.7 lbs   | Yes   |
| <b>62-UDR18</b> | 18" D × 1.125" W × 3" H   | 1.9 lbs   | Yes   |



# HIGH DIVIDERS

## SET OF FIVE



| Material        | Dimensions  | Weight  | Shelf Opening   |
|-----------------|---|---|---|
| Aluminum        |  |  |  |
| <b>62-UDH10</b> | 10" D × 1.125" W × 6" H   | 2.2 lbs   | No  |
| <b>62-UDH12</b> | 12" D × 1.125" W × 6" H   | 2.7 lbs   | No  |
| <b>62-UDH14</b> | 14" D × 1.125" W × 6" H   | 3.2 lbs   | No  |
| <b>62-UDH16</b> | 16" D × 1.125" W × 6" H   | 3.7 lbs   | No  |
| <b>62-UDH18</b> | 18" D × 1.125" W × 6" H   | 4.1 lbs   | No  |

- > Sold in packs of 5 for each depth of shelf tray
- > Infinitely adjustable
- > 6" high to ensure stock stays put

## BINS

- › 3 Sizes: 10", 12", 14" deep
- › All 12" wide
- › Comes with a center divider
- › Packs of two cross dividers available (62-U1212)



### 62-U1110

10" Deep plastic bins

#### Plastic

|  |                               |
|--|-------------------------------|
|  | 10.87" D x 11.87" W x 5.25" H |
|  | 1.5 lbs                       |
|  | –                             |
|  | Yes                           |



### 62-U1112

12" Deep plastic bins

#### Plastic

|  |                               |
|--|-------------------------------|
|  | 12.87" D x 11.87" W x 5.25" H |
|  | 1.7 lbs                       |
|  | –                             |
|  | Yes                           |



### 62-U1114

14" Deep plastic bins

#### Plastic

|  |                               |
|--|-------------------------------|
|  | 14.87" D x 11.87" W x 5.25" H |
|  | 1.9 lbs                       |
|  | –                             |
|  | Yes                           |



### 62-U1212

2 Cross dividers for plastic bins  
Fits all size bins

#### Plastic

|  |                               |
|--|-------------------------------|
|  | 11.25" D x 0.875" W x 4.25" H |
|  | 0.3 lb                        |
|  | –                             |
|  | Yes                           |

## SHELF BLOCK

- › Universal shelf block
- › Compatible with all shelving
- › Adjustable height from 12-17" in 1" increments



### 70-U7740

Universal shelf block

#### Aluminum

|  |                        |
|--|------------------------|
|  | 14" D x 1.5" W x 12" H |
|  | 2.2 lbs                |
|  | 0.5 hr                 |
|  | No                     |

## RETAINER LIP

- › Adds under-shelf floor storage
- › Creates a barrier to prevent cargo movement
- › 3 lengths available, compatible with all shelves



|                 | Aluminum |                     |         |         |    |
|-----------------|----------|---------------------|---------|---------|----|
| <b>76-U1236</b> |          | 1" D x 36" W x 2" H | 0.8 lbs | 0.30 hr | No |
| <b>76-U1248</b> |          | 1" D x 48" W x 2" H | 1.1 lbs | 0.30 hr | No |
| <b>76-U1260</b> |          | 1" D x 60" W x 2" H | 1.3 lbs | 0.30 hr | No |

## RANGER DESIGN'S FOLD-AWAY

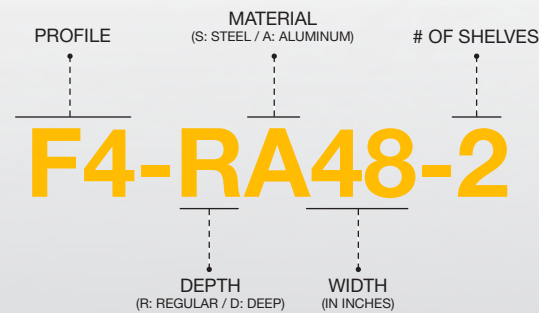
Ranger Design's Fold-Away shelving is designed to offer delivery companies the most flexible storage space possible. Folding shelves allow the driver to quickly and easily change the configuration depending on the delivery needs.

With a 250 lbs weight capacity, the shelves can be adjusted to carry packages of various sizes, while large skids can be put on the floor eliminating wasted space and increasing efficiency.

The benefits of Fold-Away shelving :

- > Quiet and rattle free
- > Easy installation in all vans
- > Maximization of cargo space
- > Anti-pinch guards to ensure safety

### NOMENCLATURE



#### 2 PROFILES

|           |                 |
|-----------|-----------------|
| <b>F4</b> | 48" H Fold-Away |
| <b>F5</b> | 63" H Fold-Away |





# VAN SHELVING – FOLD-AWAY



| Material        | Icon                     | Icon                  | Icon     | Icon | Icon | Icon   |     |
|-----------------|--------------------------|-----------------------|----------|------|------|--------|-----|
| Aluminum        |                          |                       |          |      |      |        |     |
| <b>84-U0048</b> | Fold-Away Post with foot | 8" D x 9" W x 54.5" H | 10.5 lbs | -    | -    | 0.5 hr | Yes |
| <b>84-U0063</b> | Fold-Away Post with foot | 8" D x 9" W x 65" H   | 11.5 lbs | -    | -    | 0.5 hr | Yes |

Dimensions include the brackets. The posts alone are 48" H and 63" H



| Material        | Icon                 | Icon          | Icon     | Icon | Icon | Icon   |     |
|-----------------|----------------------|---------------|----------|------|------|--------|-----|
| Aluminum        |                      |               |          |      |      |        |     |
| <b>84-U1830</b> | Fold-Away shelf tray | 18" D x 30" W | 19 lbs   | 18"  | -    | 0.3 hr | Yes |
| <b>84-U1836</b> | Fold-Away shelf tray | 18" D x 36" W | 19 lbs   | 18"  | -    | 0.3 hr | Yes |
| <b>84-U1848</b> | Fold-Away shelf tray | 18" D x 48" W | 23 lbs   | 18"  | -    | 0.3 hr | Yes |
| <b>84-U1860</b> | Fold-Away shelf tray | 18" D x 60" W | 26.5 lbs | 18"  | -    | 0.3 hr | Yes |
| <b>84-U1872</b> | Fold-Away shelf tray | 18" D x 72" W | 30 lbs   | 18"  | -    | 0.3 hr | Yes |
| <b>84-U2036</b> | Fold-Away shelf tray | 20" D x 36" W | 21.5 lbs | 20"  | -    | 0.3 hr | Yes |
| <b>84-U2048</b> | Fold-Away shelf tray | 20" D x 48" W | 25 lbs   | 20"  | -    | 0.3 hr | Yes |
| <b>84-U2060</b> | Fold-Away shelf tray | 20" D x 60" W | 28 lbs   | 20"  | -    | 0.3 hr | Yes |
| <b>84-U2072</b> | Fold-Away shelf tray | 20" D x 72" W | 31.5 lbs | 20"  | -    | 0.3 hr | Yes |

# VAN SHELVING – FOLD-AWAY



| Aluminum         |                               |                       |          |                      |         |         |     |
|------------------|-------------------------------|-----------------------|----------|----------------------|---------|---------|-----|
| <b>F4-RA30-2</b> | Fold-Away unit with 2 shelves | 22" D x 42" W x 51" H | 58.4 lbs | 2 shelves (18", 18") | 250 lbs | 1.6 hrs | Yes |
| <b>F4-RA36-2</b> | Fold-Away unit with 2 shelves | 22" D x 48" W x 51" H | 61.4 lbs | 2 shelves (18", 18") | 250 lbs | 1.6 hrs | Yes |
| <b>F4-RA48-2</b> | Fold-Away unit with 2 shelves | 22" D x 60" W x 51" H | 67.6 lbs | 2 shelves (18", 18") | 250 lbs | 1.6 hrs | Yes |
| <b>F4-RA60-2</b> | Fold-Away unit with 2 shelves | 22" D x 72" W x 51" H | 73 lbs   | 2 shelves (18", 18") | 250 lbs | 1.6 hrs | Yes |
| <b>F4-RA72-2</b> | Fold-Away unit with 2 shelves | 22" D x 84" W x 51" H | 80 lbs   | 2 shelves (18", 18") | 250 lbs | 1.6 hrs | Yes |

The dimensions shown are the final installed dimensions with the brackets



Chevrolet Express



Ford Transit Low Roof



Ford Transit Connect



GMC Savana



Mercedes-Benz Metris



Nissan NV Low Roof



Nissan NV200



Ram ProMaster City

Does not fit the F4-RA72-2

**Shelving on this page fits inside these vehicles**

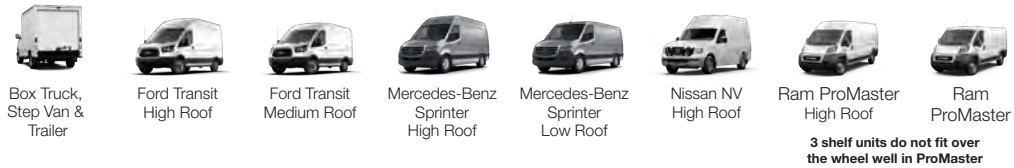


# VAN SHELVING – FOLD-AWAY

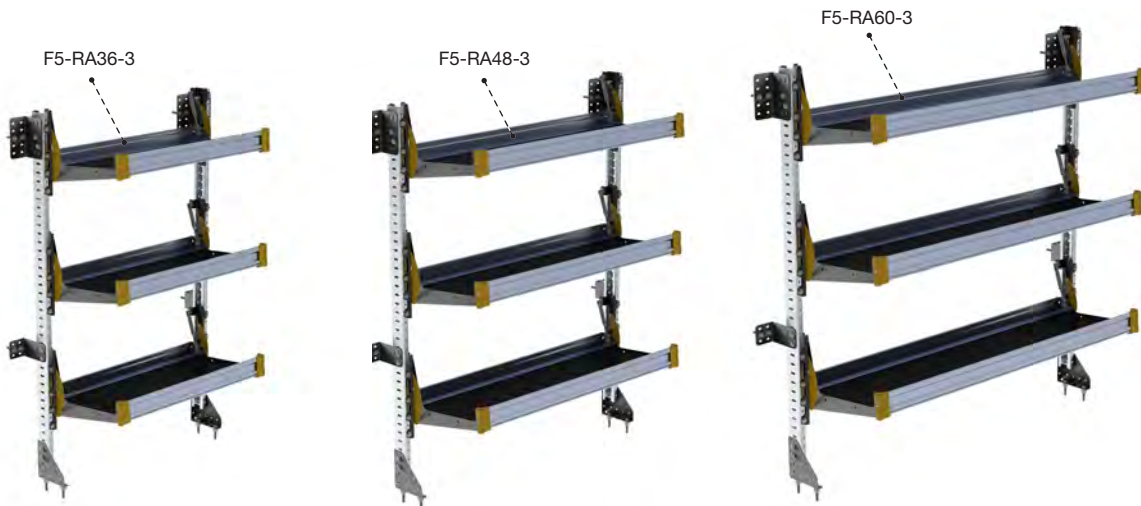


| Aluminum         |                               |                       |          |                      |         |         |     |
|------------------|-------------------------------|-----------------------|----------|----------------------|---------|---------|-----|
| <b>F5-RA36-2</b> | Fold-Away unit with 2 shelves | 25" D × 48" W × 65" H | 66 lbs   | 2 shelves (20", 20") | 250 lbs | 1.6 hrs | Yes |
| <b>F5-RA48-2</b> | Fold-Away unit with 2 shelves | 25" D × 60" W × 65" H | 72.5 lbs | 2 shelves (20", 20") | 250 lbs | 1.6 hrs | Yes |
| <b>F5-RA60-2</b> | Fold-Away unit with 2 shelves | 25" D × 72" W × 65" H | 79 lbs   | 2 shelves (20", 20") | 250 lbs | 1.6 hrs | Yes |
| <b>F5-RA72-2</b> | Fold-Away unit with 2 shelves | 25" D × 84" W × 65" H | 86 lbs   | 2 shelves (20", 20") | 250 lbs | 1.6 hrs | Yes |

The dimensions shown are the final installed dimensions with the brackets



## Shelving on this page fits inside these vehicles



| Aluminum         |                                |                       |           |                           |         |         |     |
|------------------|--------------------------------|-----------------------|-----------|---------------------------|---------|---------|-----|
| <b>F5-RA36-3</b> | Fold-Away unit, with 3 shelves | 22" D × 48" W × 65" H | 84 lbs    | 3 shelves (18", 18", 18") | 300 lbs | 1.9 hrs | Yes |
| <b>F5-RA48-3</b> | Fold-Away unit, with 3 shelves | 22" D × 60" W × 65" H | 93 lbs    | 3 shelves (18", 18", 18") | 300 lbs | 1.9 hrs | Yes |
| <b>F5-RA60-3</b> | Fold-Away unit, with 3 shelves | 22" D × 72" W × 65" H | 102 lbs   | 3 shelves (18", 18", 18") | 300 lbs | 1.9 hrs | Yes |
| <b>F5-RA72-3</b> | Fold-Away unit, with 3 shelves | 22" D × 84" W × 65" H | 111.5 lbs | 3 shelves (18", 18", 18") | 300 lbs | 1.9 hrs | Yes |

The dimensions shown are the final installed dimensions with the brackets



## **VAN DRAWERS**

Durable storage compartments,  
designed for quick and easy access.



**TOUGH**

Aluminum drawers are backed by a 10 year warranty.



**QUICK**

Easy to use slam latch.



**SECURE**

Keyed lock to guard valuables.

# VAN DRAWERS

AXESS TRAYS . . . . . P. 150  
 COMPACT DRAWERS . . . . . P. 157  
 DRAWER CABINETS . . . . . P. 155  
 TOOL DRAWERS . . . . . P. 152

Ranger Design manufactures a variety of tough, quiet drawer systems and storage modules.

We use top-quality components such as full-extension, high-capacity, ball-bearing drawer slides, secure locks, and Ranger Design's unique braided stainless steel cable-pull handles.

These drawers are the organizational quality that you deserve.

If you never again want to experience the frustration of drawers that jam, sag, and don't latch properly, we have the solution.



# VAN DRAWERS – AXESS TRAY

## AXESS TRAYS



### 5032-0

Axess Tray with 1 shelf / no drawers

#### Aluminum

38" D x 44" W x 30" H

–

52 lbs

0.9 hr

No



### 5032-1

Axess Tray with 1 shelf / 1 drawer

#### Aluminum

38" D x 44" W x 30" H

200 lbs

86 lbs

1 hr

Yes



### 5032-2

Axess Tray with 1 shelf / 2 drawers

#### Aluminum

38" D x 44" W x 30" H

200 lbs

120 lbs

1.1 hrs

No



### 5032-3

Axess Tray with 1 shelf / 3 drawers

#### Aluminum

38" D x 44" W x 30" H

200 lbs

154 lbs

1.2 hrs

No



### 5032-A

Axess Tray drawer only, complete with slides

#### Aluminum

38.75" D x 41.75" W x 4.25" H

–

34 lbs

–

No



## 5032-F

Axess Tray full back panel for 5032 series

### Aluminum

41" W x 27.25" H

—

7 lbs

0.25 hr

No



## 5037-0

Axess Tray with 1 shelf / no drawers

### Aluminum

38" D x 44" W x 42" H

—

60 lbs

1 hr

No



## 5037-1

Axess Tray with 1 shelf / 1 drawer

### Aluminum

38" D x 44" W x 42" H

200 lbs

93 lbs

1.1 hrs

No



## 5037-2

Axess Tray with 1 shelf / 2 drawers

### Aluminum

38" D x 44" W x 42" H

200 lbs

127 lbs

1.2 hrs

No



## 5037-3

Axess Tray with 1 shelf / 3 drawers

### Aluminum

38" D x 44" W x 42" H

200 lbs

161 lbs

1.3 hrs

No



## 5037-A

Axess Tray drawer only, complete with slides

### Aluminum

38" D x 41.75" W x 4.25" H

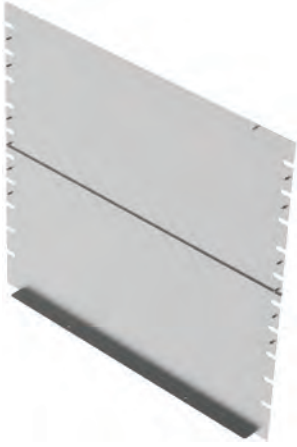
—

34 lbs

—

No

# VAN DRAWERS – TOOL DRAWERS



## 5037-F

Axess Tray full back panel for 5037 series

### Aluminum

41" W x 39.25" H

–

10 lbs

0.25 hr

No



VAN DRAWERS

# TOOL DRAWERS



## 5010

Partslider drawer

### Aluminum

48" D x 12" W x 6" H

150 lbs

25 lbs

0.5 hr

Yes



## 5011

Partslider drawer

### Aluminum

36" D x 12" W x 6" H

150 lbs

20 lbs

0.5 hr

No





## 5014

Floor mount kit for 5010 / 5011 Partslider drawer

### Aluminum

12" W x 1" H

—

1.5 lbs

—

Yes



## 5020

Tool drawer

### Aluminum

48" D x 14" W x 16" H

320 lbs

70 lbs

1 hr

Yes



## 5021

Tool drawer

### Aluminum

36" D x 14" W x 16" H

320 lbs

61 lbs

1 hr

No



## 5025

Jumbo tool drawer

### Aluminum

48" D x 16" W x 19.5" H

320 lbs

83 lbs

1 hr

Yes



## 5026

Jumbo tool drawer

### Aluminum

36" D x 16" W x 19.5" H

320 lbs

72 lbs

1 hr

No



## 5028

Raised base for the 5020 and 5021 tool drawer

### Aluminum

4" D x 14" W x 6" H

—

5 lbs

0.5 hr

No

# VAN DRAWERS – TOOL DRAWERS



## 5029

Raised kit for the 5025 and 5026 tool drawer

### Aluminum

6" D x 16" W x 6" H

—

8 lbs

0.5 hr

No



## 5048

Top edge, for 5010 Partslider

### Aluminum

48" D x 12" W x 4" H

—

6.2 lbs

0.2 hr

Yes



## 5049

Top edge, for 5020 Tool Drawer

### Aluminum

48" D x 14" W x 4" H

—

6.2 lbs

0.2 hr

No



## 5050

Top edge, for 5025 jumbo Tool Drawer

### Aluminum

48" D x 16" W x 4" H

—

6.5 lbs

0.2 hr

No



## 5051

Top edge, for 5011 Partslider

### Aluminum

36" D x 12" W x 4" H

—

5 lbs

0.2 hr

No



## 5052

Top edge, for 5021 Tool Drawer

### Aluminum

36" D x 14" W x 4" H

—

5 lbs

0.2 hr

No



## 5053

Top edge, for 5026 jumbo Tool Drawer

### Aluminum

36" D x 16" W x 4" H

—

5.5 lbs

0.2 hr

No



## 5057

Top edge, for 5060 Drawer Cabinet

### Aluminum

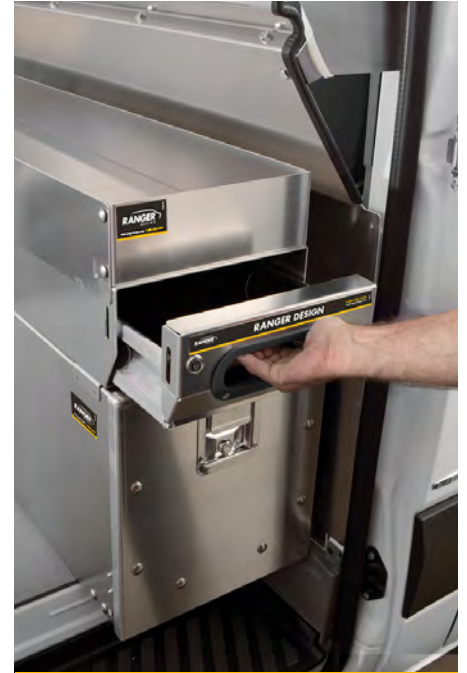
18" D x 22" W x 4" H

—

4 lbs

0.2 hr

No



5020 Tool drawer mounted with a 5010 partslider drawer and a 5048 top edge

# DRAWER CABINETS



## 5060-5

5 Drawer cabinet with a door

### Aluminum

18" D x 24" W x 36" H

150 lbs/drawer

160 lbs

1 hr

Yes



## 5060-6

6 Drawer cabinet

### Aluminum

18" D x 24" W x 36" H

150 lbs/drawer

183 lbs

1 hr

Yes

# VAN DRAWERS – DRAWER CABINETS



## 5060-8

8 Drawer cabinet

### Aluminum

18" D x 24" W x 36" H

150 lbs/drawer

225 lbs

1 hr

No



## 5065-8

8 Drawer cabinet, square back

### Aluminum

19" D x 24" W x 56" H

150 lbs/drawer

247 lbs

1 hr

Yes



## 5066-8

8 Drawer cabinet, contoured

### Aluminum

20" D x 24" W x 56" H

150 lbs/drawer

250 lbs

1 hr

Yes

VAN DRAWERS



## 5067-6

6 Drawer cabinet

### Aluminum

18" D x 18" W x 28" H

150 lbs/drawer

156 lbs

0.5 hr

Yes








## COMPACT DRAWERS



**5068-3**  
3 Drawer cabinet






### Aluminum

|   |                       |
|---|-----------------------|
|    | 18" D x 15" W x 15" H |
|    | 150 lbs/drawer        |
|   | 75 lbs                |
|  | 0.5 hr                |
|  | Yes                   |



**5069-2**  
2 Drawer cabinet






### Aluminum

|   |                       |
|---|-----------------------|
|    | 14" D x 24" W x 12" H |
|    | 150 lbs/drawer        |
|   | 36 lbs                |
|  | 0.5 hr                |
|  | Yes                   |



**X50-B**  
Compact locking 2-Drawer cabinet






### Steel

|   |                             |
|---|-----------------------------|
|  | 12.5" D x 18.5" W x 10.5" H |
|  | 22 lbs/drawer               |
|  | 29 lbs                      |
|  | 0.3 hr                      |
|  | Yes                         |



**X50-C**  
Compact locking 3-Drawer cabinet




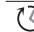

### Steel

|   |                             |
|---|-----------------------------|
|  | 12.5" D x 18.5" W x 10.5" H |
|  | 22 lbs/drawer               |
|  | 24 lbs                      |
|  | 0.3 hr                      |
|  | Yes                         |



**X51-F**  
Compact 9-Drawer cabinet

### Steel

|   |                       |
|---|-----------------------|
|  | 12" D x 17" W x 12" H |
|  | —                     |
|  | 24 lbs                |
|  | 0.3 hr                |
|  | Yes                   |



## **VAN STORAGE UNITS**

Safe and practical storage options to make your day-to-day tasks easier.



**VERSATILE**

Customizable storage case for carrying tools onto the job.



**TOUGH**

A handy workstation for any task.



**SAFE**

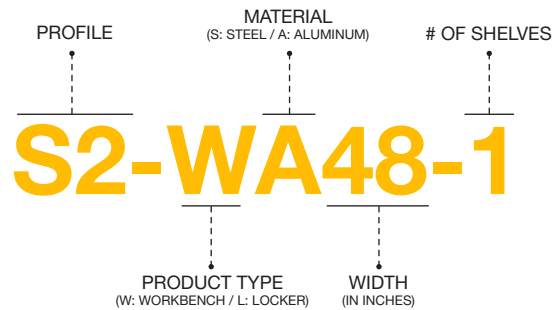
Secure storage to prevent items from shifting while on the road.

# VAN STORAGE UNITS

BOTTLE HOLDERS . . . . . P. 161  
 CAB BOXES . . . . . P. 160  
 LOCKERS AND BOOKSHELVES . . . . . P. 165  
 PARTSKEEPER CABINETS . . . . . P. 164  
 PARTSKEEPER CASE . . . . . P. 164  
 WORKBENCHES . . . . . P. 166

Ranger Design has simplified the line-up to facilitate ordering and stocking. Lockers, workbenches, partsekeepers and partskeeper cabinets now have a new look to conform with our shelving series.

## NOMENCLATURE



**PROFILES**

|           |  |
|-----------|--|
| <b>C2</b> | 25" High PartsKeepers                    |
| <b>C4</b> | 43" High Bottle Holders and PartsKeepers |
| <b>C5</b> | 62" High Bottle Holdes and PartsKeepers  |
| <b>S2</b> | 32" High Workbenches                     |
| <b>S3</b> | 40" High Workbenches                     |
| <b>N4</b> | 44" High Lockers and PartsKeepers        |
| <b>N5</b> | 62" High Lockers and PartsKeepers        |



# VAN STORAGE UNITS – CAB BOXES

## CAB BOXES



### 5040

Narrow Cab box with locking lid, Transit and Metris

#### Aluminum

20" D x 6.5" W x 15.75" H

11.2 lbs

0.5 hr

Yes



### 5041

Raised base for the 5040 cab box, Transit and Metris

#### Steel

18.75" W x 3.63" H

2.7 lbs

0.7 hr

Yes



### 5044

Raised base for 5045 cab box, Sprinter

#### Aluminum

22.5" D x 11.5" W x 9" H

4 lbs

0.2 hr

Yes



### 5045

Cab box with locking lid

#### Aluminum

18.75" D x 12.5" W x 15.75" H

15.8 lbs

0.4 hr

Yes



### 5047

Raised base for ProMaster cab box (Compatible with a 5040 Cab Box for 2021 MY ProMasters and newer)

#### Aluminum

21.5" D x 13" W x 5.5" H

5 lbs

0.2 hr

No





## 5058

Raised base for GM Savana/Express Van cab box

### Aluminum

15" D x 9.5" W x 3.5" H

3.5 lbs

0.4 hr

No

# BOTTLE HOLDERS



## C5-BA13-4

4 tier refrigerant rack for large bottles

### Aluminum

13.63" D x 14.29" W x 62.25" H

34 lbs

0.7 hr

No



## C5-BA11-5

5 tier refrigerant rack for small bottles

### Aluminum

13.63" D x 11.79" W x 62.25" H

34.1 lbs

0.7 hr

No



## C5-BA13-5

5 tier refrigerant rack for large bottles for small and large bottles

### Aluminum

13.63" D x 14.29" W x 62.25" H

34 lbs

0.7 hr

Yes



## C4-BA11-3

3 tier refrigerant rack for small bottles

### Aluminum

14" D x 10.5" W x 43" H

29 lbs

0.6 hr

No

# VAN STORAGE UNITS – BOTTLE HOLDERS



## C4-BA11-4

4 tier refrigerant rack for small bottles

### Aluminum

14" D × 10.5" W × 43" H

26 lbs

0.6 hr

Yes



## C4-BA13-3

3 tier refrigerant rack for large bottles

### Aluminum

14" D × 13" W × 43" H

25 lbs

0.6 hr

Yes



## 6010

Two level adjustable bottle holder

### Aluminum

10.25" D × 9.5" W × 36" H

8 lbs

0.4 hr

Yes



## 6020

Horizontal refrigerant bottle holder

### Aluminum

12.5" D × 48" W × 13" H

17 lbs

0.5 hr

No



## 6030

Bottle rack with straps

### Aluminum

48" W

4 lbs

0.5 hr

No



## 6035

Bottle rack with straps

### Aluminum

60" W

6 lbs

0.5 hr

No

# VAN STORAGE UNITS – BOTTLE HOLDERS



## 6086

Small aluminum bottle holder, with a black nylon strap

### Aluminum

6" W x 12" H

1 lb

0.2 hr

Yes



## 6088

Large aluminum bottle holder, with two black nylon straps

### Aluminum

8" W x 24" H

5 lbs

0.2 hr

Yes



## 6013-3

3 tier refrigerant rack

### Steel

15" D x 13.5" W x 43" H

40.9 lbs

0.66 hr

No



## 6040

Locking cabinet

### Aluminum

8.5" D x 12" W x 24" H

16 lbs

0.6 hr

No



## 6041

Locking cabinet

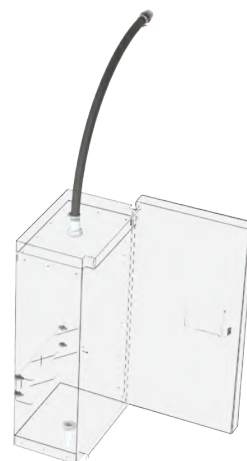
### Aluminum

15" D x 15.5" W x 33" H

31 lbs

0.7 hr

Yes



## 6049

Ventilation kit for cabinet

### Plastic

–

0 lb

–

Yes

# VAN STORAGE UNITS – PARTSKEEPERS

## PARTS-KEEPERS



### 62-U5079

Partskeeper carry case  
See P. 185 for partskeeper bins

#### Plastic

13.5" D x 16.75" W x 4" H

4.3 lbs

–

Yes



CAN BE INSTALLED EITHER WAY



### 62-U5070

Partskeeper carry case with holder,  
universal

#### Aluminum

14" D x 17" W x 6" H

7.8 lbs

0.2 hr

Yes



### 62-U5074

Partskeeper floor mount cabinet  
with 4 carry cases, universal

#### Aluminum

14" D x 17" W x 24.5" H

34.2 lbs

0.3 hr

Yes



### C2-PA18-4

Partskeeper cabinet with 4 carry cases

#### Aluminum

13.63" D x 18.79" W x 25" H

31.2 lbs

0.4 hr

Yes



### C4-PA18-8

Partskeeper cabinet with 8 carry cases

#### Aluminum

13.63" D x 18.79" W x 44.5" H

59.6 lbs

0.5 hr

Yes

# VAN STORAGE UNITS – LOCKERS & BOOKSHELVES



## C5-PA18-8

Partskeeper cabinet with 8 carry cases and 2 shelves

### Aluminum

13.63" D x 18.79" W x 62.5" H

71.6 lbs

0.63 hr

Yes



## N4-PS20-8

Partskeeper cabinet with 8 carry cases

### Steel

16" D x 19.5" W x 44.5" H

85 lbs

0.5 hr

Yes



## N5-PS20-8

Partskeeper cabinet with 8 carry cases & 2 shelves

### Steel

16" D x 19.5" W x 62" H

100 lbs

0.5 hr

Yes

# LOCKERS & BOOK- SHELVES



## N4-LS16-1

Locker with top shelf, universal (Comes with 2 hooks)

### Steel

16.5" D x 16" W x 44.5" H

41 lbs

0.5 hr

Yes



## N5-LS16-1

Locker with top shelf, universal (Comes with 2 hooks)

### Steel

16.5" D x 16" W x 62" H

54 lbs

0.5 hr

Yes

# VAN STORAGE UNITS – WORKBENCHES



## N4-RA12-3C

Bookshelf for low-roof vehicles

### Composite Aluminum

16" D x 12" W x 44.5" H

22 lbs

1 hr

Yes



## N5-RA12-4C

Bookshelf for high-roof vehicles

### Composite Aluminum

16" D x 12" W x 62" H

30 lbs

1.5 hrs

Yes



VAN STORAGE UNITS

# WORK- BENCHES



## S2-WA48-0

Workbench, with hardwood top, one end panel, Universal (drawer cabinet not included)

### Aluminum

18" D x 48" W x 32" H (To top edge)

48 lbs

0.8 hr

Yes



## S2-WA48-1

Workbench, aluminum with hardwood top, 1 shelf tray, Universal

### Aluminum

18" D x 48" W x 32" H (To top edge)

65.5 lbs

0.8 hr

Yes

# VAN STORAGE UNITS – WORKBENCHES



**5067-6 fits the S2-WA48-0**  
See page 156 for more info

Workbench with hardwood top, one end panel  
(Drawer cabinet not included)



**Cabinets that fit the S3-WA48-0:**  
5060-5, 5060-6, 5060-8  
See page 155 for more info



## S3-WA48-0

Workbench, with hardwood top, one end panel, Universal  
(drawer cabinet not included)

### Aluminum

18" D x 48" W x 40" H (To top edge)

49 lbs

0.8 hr

Yes



## S3-WA48-1

Workbench, aluminum with hardwood top, 1 shelf tray, Universal

### Aluminum

18" D x 48" W x 40" H (To top edge)

66.3 lbs

0.8 hr

Yes

Workbench with hardwood top, one end panel  
(Drawer cabinet not included)



## **VAN ACCESSORIES**

Choose the finishing details to tailor your upfit to your specific needs.





### VERSATILE

Removable storage bins ensure organization on the jobsite or on the go.



### SECURE

Trade specific accessories with a place for all tools and supplies.



### PRODUCTIVE

Stay productive with your most used items well within reach.

## VAN ACCESSORIES

|                                  |        |
|----------------------------------|--------|
| SAFETY & SECURITY . . . . .      | P. 170 |
| SEAT COVERS . . . . .            | P. 172 |
| REAR STEPS . . . . .             | P. 172 |
| STORAGE & ORGANIZATION . . . . . | P. 173 |
| WINDOW GRILLS . . . . .          | P. 174 |

Getting the most from your work van is easy when you choose the right van accessories to help you become **more organized and efficient**.

Good truck and van accessories will always pay for themselves by allowing you to maximize your cargo **space and productivity**.

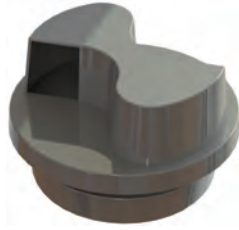
With so many van accessories to choose from, the best way to find which ones work for you is to take some time to **consider your needs**.

All tradesmen work differently, and **every trade has their own basic tools**.

Make a list of all the equipment that you use daily.

With a list in hand, you'll be able to visualize your needs and determine which of the van accessories will be the **most beneficial**.

## SAFETY & SECURITY



**6050**  
Flettner vent, rotary design  
(4" H above and 1.4" H below)

| Plastic         |  |
|-----------------|--|
| 8.9" D x 5.4" H |  |
| 1.5 lbs         |  |
| 1 hr            |  |
| Yes             |  |



**6060-BK**  
Touch-up paint for steel shelving – black

| Other                |  |
|----------------------|--|
| 2.5" diameter x 8" H |  |
| .5 lb                |  |
| –                    |  |
| No                   |  |



**6082**  
Triangle kit with aluminum holder

| Other  |  |
|--------|--|
| –      |  |
| 14 lbs |  |
| 0.2 hr |  |
| Yes    |  |



**6090**  
Back up alarm, die cast housing, fully

| Other |  |
|-------|--|
| –     |  |
| 1 lb  |  |
| 1 hr  |  |
| No    |  |



**6091**  
Surface mount tie down ring, zinc plated

| Steel  |  |
|--------|--|
| 4" D   |  |
| 0.4 lb |  |
| 0.2 hr |  |
| No     |  |

## LED LIGHTING

Keeps the cargo space bright, making it easy to find your tools, no matter what time of day or night. It also eliminates any chance of receiving cuts and bruises when searching through your tools in the dark.



**6092-42**  
Universal LED light kit for vans (12V DC / 1200 Lm / 10W)

| Other        |  |
|--------------|--|
| 42" L x 1" H |  |
| 0.5 lb       |  |
| 0.5 hr       |  |
| Yes          |  |

## GRAB HANDLES

Designed to provide you with easier access into your van. Whether installed in a high-roof or low-roof work van, it is always useful to have something to hold onto. It can also be used to tie down additional cargo for safe transportation.



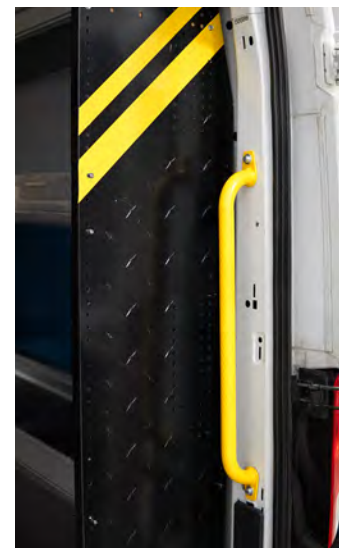
**6093**  
Grab handle

| Plastic |  |
|---------|--|
| 9.5" H  |  |
| 0.1 lb  |  |
| 0.5 hr  |  |
| Yes     |  |



**6093-27**  
Large grab handle

| Steel                   |  |
|-------------------------|--|
| 1.8" W x 30" H x 3.5" D |  |
| 2.5 lbs                 |  |
| 0.25 hr                 |  |
| Yes                     |  |





## 6095

Black nylon strap, plastic buckle

### Other

2" W x 28" H

0.18 lb

0.01 hr

No



## 6096

Black nylon strap, chrome plated buckle

### Other

1" W x 36" H

0.12 lb

0.01 hr

Yes



## 6097

Black nylon strap, chrome plated buckle

### Other

1" W x 48" H

0.13 lb

0.01 hr

No



## 6098

Black nylon strap, chrome plated buckle

### Other

1" W x 72" H

0.16 lb

0.01 hr

No



## 62-U6205

Inner plastic bin for partskeeper case – small

### Plastic

3.7" H x 4" W x 4" D

0.1 lb

–

No



## 62-U6210

Inner plastic bin for partskeeper case – medium

### Plastic

3.7" H x 8" W x 4" D

0.2 lb

–

No



See page 180, in Storage Units section.

# STAY SAFE WITH RANGER DESIGN'S COMMERCIAL VEHICLE EQUIPMENT.

# VAN ACCESSORIES – REAR STEPS

## SEAT COVERS

Protect your vehicle seats with a custom fit. The water & stain resistant fabric is washable and dryer safe. Installing a set of these takes only a few minutes and will keep your cab looking clean and new. There is also no interference with factory seat functions including heating, cooling or airbag deployment.



### SPECIFICATIONS

for 1 set of bucket seat covers

|       |        |     |
|-------|--------|-----|
| 4 lbs | 0.5 hr | Yes |
|-------|--------|-----|

\*We do not offer seat covers for bench seats

|   | PART #  |
|---|---------|
| CHEVROLET CITY EXPRESS  | 6251    |
| CHEVROLET EXPRESS   | 6252    |
| FORD TRANSIT  | 6255    |
| GMC SAVANA  | 6252    |
| MERCEDES-BENZ METRIS  | 6258    |
| MERCEDES-BENZ SPRINTER 2019<br>FITS 2019 MERCEDES SPRINTER<br>EXCLUDING THE 2019 LUXURY SEATS | 6257-19 |
| RAM PROMASTER   | 6254    |
| RAM PROMASTER CITY  | 6253    |

## REAR STEPS

Climbing in and out of your van several times a day can put a strain on your legs and back, especially when carrying heavy items at the same time. Rear steps give tradesmen quick and easy access to their cargo space. The steps also provide a rugged grip in the winter, so there is no fear of slipping when getting in or out.



### 6054

Hitch Step, with hitch pin to fit a 2" x 2" hitch

#### Aluminum

6" D x 12" W

4 lbs

–

No

### 6550-DS

Max Step for the Mercedes-Benz Sprinter

#### Steel

21" D x 56.5" W x 12.25" H

36 lbs

0.75 hr

Yes

### 6550-FT

Max Step for the Ford Transit

#### Steel

32" D x 56.5" W x 11.4" H

48 lbs

0.75 hr

Yes

### 6550-RP

Max Step for the Ram ProMaster

#### Steel

14.85" D x 56.5" W x 10.6" H

22 lbs

0.75 hr

Yes

## STORAGE & ORGANIZATION

### PAPER HOLDERS

Keep your paperwork and files all together and in a safe place where they won't get ripped or crumpled.



#### 6061

Paper Holder, extra deep, 2 slots

|                            |
|----------------------------|
| <b>Aluminum</b>            |
| 3.75" D x 12.75" W x 12" H |
| 2 lbs                      |
| 0.2 hr                     |
| Yes                        |



#### 6063

Paper Holder, extra deep, 5 slots

|                            |
|----------------------------|
| <b>Aluminum</b>            |
| 3.75" D x 12.75" W x 24" H |
| 7 lbs                      |
| 0.2 hr                     |
| Yes                        |



#### 6066

2 Pocket Holder, with 8 plastic bins

|                           |
|---------------------------|
| <b>Aluminum</b>           |
| 4.5" D x 20" W x 21.75" H |
| 7.5 lbs                   |
| 0.2 hr                    |
| Yes                       |



#### 6067

Paper Holder, regular depth, 2 slots

|                            |
|----------------------------|
| <b>Aluminum</b>            |
| 2.25" D x 12.75" W x 12" H |
| 3 lbs                      |
| 0.2 hr                     |
| No                         |



#### 6069

Paper Holder, regular depth, 5 slots

|                            |
|----------------------------|
| <b>Aluminum</b>            |
| 2.25" D x 12.75" W x 24" H |
| 7 lbs                      |
| 0.2 hr                     |
| Yes                        |



#### Y31-A

Paper Holder, extra deep, 3 slots

|                            |
|----------------------------|
| <b>Steel</b>               |
| 3.75" D x 12.75" W x 16" H |
| 8.6 lbs                    |
| 0.2 hr                     |
| Yes                        |

### CARGO HOLDERS

Keep frequently used items such as hats, cans and vises within easy reach and safely stowed while on the road.



#### 6052

Vise Holder with an 8"x8" mounting plate

|              |
|--------------|
| <b>Steel</b> |
| -            |
| 37 lbs       |
| 0.5 hr       |
| No           |



#### 6056

3 in 1 Personal Protective Equipment Storage System

|                             |
|-----------------------------|
| <b>Aluminum</b>             |
| 4.25" D x 115.25" W x 10" H |
| 2.7 lbs                     |
| 0.20 hr                     |
| No                          |



#### 6057

Can Holder

|                      |
|----------------------|
| <b>Aluminum</b>      |
| 3" D x 8.5" W x 3" H |
| 1 lb                 |
| 0.2 hr               |
| Yes                  |

# VAN ACCESSORIES – STORAGE & ORGANIZATION



## 6068

Hard Hat Holder, painted wire

| Steel |        |
|-------|--------|
|       | –      |
|       | 0.5 lb |
|       | 0.2 hr |
|       | No     |



## 6081-22

Traffic cone holder for cargo vehicles

| Steel |                     |
|-------|---------------------|
|       | 8" D x 7" W x 22" H |
|       | 3 lbs               |
|       | 0.20 hr             |
|       | No                  |



## 7124

Reel Holder with two 5/8" diameter rods

| Aluminum |                         |
|----------|-------------------------|
|          | 7.25" D x 15" W x 24" H |
|          | 11 lbs                  |
|          | 0.5 hr                  |
|          | Yes                     |



## 6070

6" Hook, 3" opening, painted

| Steel |        |
|-------|--------|
|       | 3" D   |
|       | 2 lbs  |
|       | 0.2 hr |
|       | Yes    |



## 6071

Triple 6" Hook, 3" opening, painted

| Steel |         |
|-------|---------|
|       | 3.45" D |
|       | 1.2 lbs |
|       | 0.2 hr  |
|       | Yes     |



## 6072

8" Swivel Hook, 4" opening, painted

| Steel |         |
|-------|---------|
|       | 4" D    |
|       | 1.3 lbs |
|       | 0.2 hr  |
|       | Yes     |



## 6073

Large aluminum movable Hook, 6.5" opening

| Aluminum |                         |
|----------|-------------------------|
|          | 6.5" D x 2.75" W x 4" H |
|          | 1 lb                    |
|          | 0.01 hr                 |
|          | Yes                     |



## Y30-C

Coat Hook, 1" opening, chrome plated

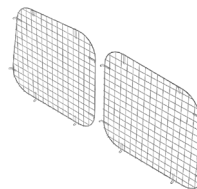
| Steel |        |
|-------|--------|
|       | 1" D   |
|       | 0.5 lb |
|       | 0.2 hr |
|       | Yes    |

ACCESSORIES

# WINDOW GRILLS

## WIRE GRILLS

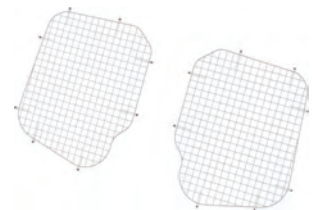
Protect your van against theft and prevent damage to the van during loading or unloading, with Ranger Design's window grills.



## 6106

Chevrolet Express & GMC Savana  
Set of 2 rear window grills

| Steel |               |
|-------|---------------|
|       | Standard Roof |
|       | 7.1 lbs       |
|       | 0.2 hr        |
|       | Yes           |

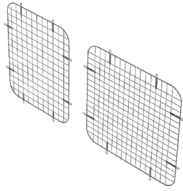


## 6107-19

Mercedes-Benz Sprinter  
Set of 2 rear window grills designed for the

| Steel |                      |
|-------|----------------------|
|       | Standard / High Roof |
|       | 8 lbs                |
|       | 0.2 hr               |
|       | Yes                  |

# VAN ACCESSORIES – WINDOW GRILLS



## 6111

Chevrolet Express & GMC Savana  
Set of 2 side window grills

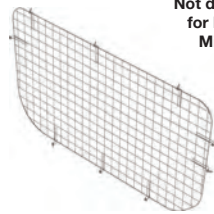
### Steel

Standard Roof

8 lbs

0.2 hr

Yes



Not designed  
for Ejection  
Mitigation

## 6117

Mercedes-Benz Sprinter  
Window grill, passenger  
side sliding door

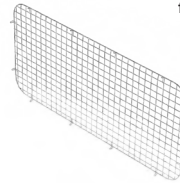
### Steel

Standard / High Roof

8 lbs

0.2 hr

Yes



Not designed  
for Ejection  
Mitigation

## 6118

Ram ProMaster  
Window grill, passenger side sliding  
door (does not fit the 118" wheelbase)

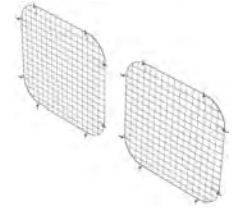
### Steel

High Roof

8 lbs

0.2 hr

Yes



## 6119

Ram ProMaster  
Set of 2 rear window grills

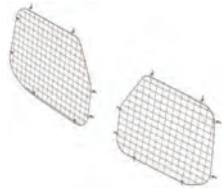
### Steel

High Roof

11 lbs

0.2 hr

Yes



## 6120

Ford Transit  
Set of 2 rear window grills

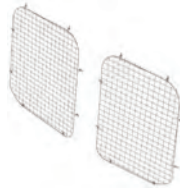
### Steel

Low Roof

8 lbs

0.2 hr

Yes



## 6121

Ford Transit  
Set of 2 rear window grills

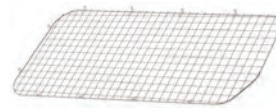
### Steel

Medium / High Roof

8 lbs

0.2 hr

Yes



Not designed  
for Ejection  
Mitigation

## 6122

Ford Transit  
Window grill, passenger  
side sliding door

### Steel

Low Roof

8 lbs

0.2 hr

Yes



Not designed  
for Ejection  
Mitigation

## 6123

Ford Transit  
Window grill, passenger  
side sliding door

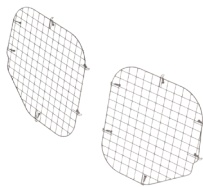
### Steel

Medium / High Roof

8 lbs

0.2 hr

Yes



## 6124

Ford Transit Connect  
Set of 2 rear window grills

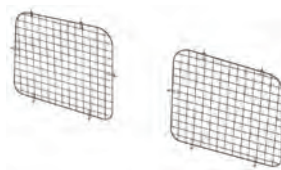
### Steel

Standard Roof

8 lbs

0.2 hr

Yes



## 6126

Mercedes-Benz Metris  
Set of 2 rear window grills

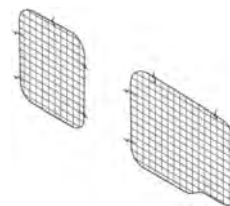
### Steel

Standard Roof

5 lbs

0.2 hr

Yes



## 6134

Ram ProMaster City  
Set of 2 rear window grills

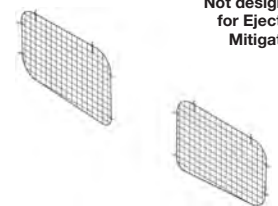
### Steel

Standard Roof

8 lbs

0.2 hr

Yes



Not designed  
for Ejection  
Mitigation

## 6135

Ram ProMaster City  
Set of 2 sliding door  
window grills

### Steel

Standard Roof

8 lbs

0.2 hr

Yes



## **VAN ROOF RACKS**

Ergonomic Ladder Racks make loading and unloading easier.





**TOUGH**  
Military-grade components ensure no corrosion over the lifetime of the rack.



**QUIET**  
Aerodynamic design with minimal wind noise.



**SAFE**  
No metal contact to ladder, leading to longer life of ladders with less chance of fiberglass splinters.

## VAN ROOF RACKS

### CARGO RACK

CARGO . . . . . P. 182  
CARGO+ . . . . . P. 180

### CLAMP RACK

COMBINATION RACK . . . . . P. 184  
DOUBLE CLAMP RACK . . . . . P. 186

INTERIOR RACK . . . . . P. 179

LADDER RACK ACCESSORIES . . . . . P. 185

### MAX RACK

MAX RACK LOW ROOF . . . . . P. 188  
MAX RACK HIGH ROOF . . . . . P. 190

ACCESS STOW . . . . . P. 194

SUB-UNIT GUIDE . . . . . P. 196

Ranger Design ladder racks make loading and unloading ladders an easy operation. Ranger Design offers drop-down ladder racks, extra tough racks capable of carrying 32' ladders on compact vans, interior ladder carriers and many other options for different applications.

**Please take note that all our ladder racks are powder-coated white except for the Cargo+.**

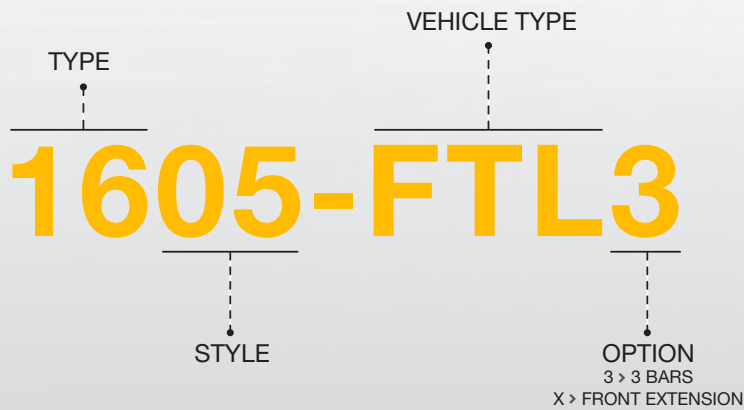
N.B. Models may vary to those shown. Please visit our website for all images.

**BEFORE YOU START, ASK YOURSELF**

- > What ladders will I be carrying?
- > How often will I be accessing the ladder?



# NOMENCLATURE



## STYLES

|      |                           |
|------|---------------------------|
| 1050 | Interior Rack             |
| 1506 | Cargo+ Rack               |
| 1605 | Cargo Rack                |
| 1625 | Combination Clamp Rack    |
| 1630 | Double Clamp Rack         |
| 1840 | Single Max Rack Low Roof  |
| 1850 | Double Max Rack Low Roof  |
| 1870 | Single Max Rack High Roof |
| 1880 | Double Max Rack High Roof |
| 1920 | Single Access Stow        |
| 1930 | Double Access Stow        |

The weight capacity varies according to each vehicle's capabilities. Please consult your vehicle's manual for weight capacity.

# 1050 SERIES

## INTERIOR RACK

### DESIGNED FOR FULL SIZE VANS

**SAFE**

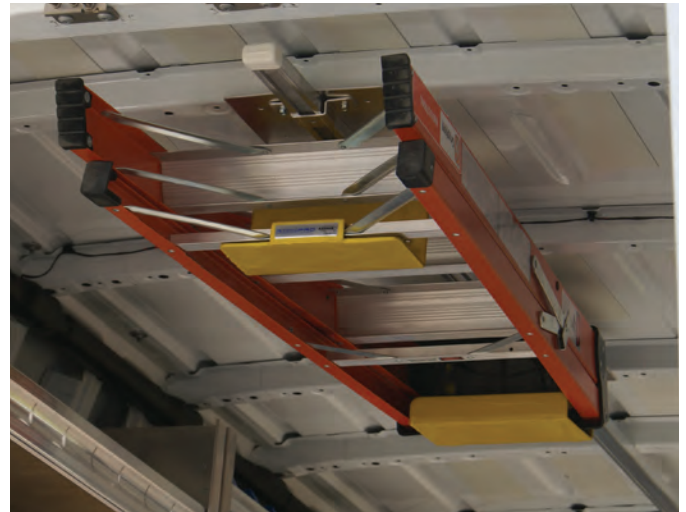
- > Convenient and secure storage for your smaller ladders

**TOUGH**

- > Military-grade aluminum and stainless steel components

**SIMPLE**

- > Fits all vans



Access Pro, Inside Ladder Carrier

Aluminum

| PART    |  |  |  |  |  |
|---------|---|---|---|---|---|
| 1050-FS | All   | All   | 10" W x 96" L x 7.5" H  | 9 lbs   | 1 hr  |

VAN ROOF RACKS

# VAN ROOF RACKS – CARGO +

## 1506 SERIES

# CARGO +

## DESIGNED FOR TRANSITS, PROMASTERS & SPRINTERS



## CARGO + FEATURES AND BENEFITS

The Rear Roller is constructed from tough and hard-wearing stainless steel and attaches easily to the roof rack using our “Anti-Rattle” composite connectors.








The **Cargo+** features T-Track technology which enables quick and easy drill free installs.



The **Cargo+** is the perfect tool for transporting ladders, building materials, pipes and scaffolding.

The **Cargo+** cross bars have been specifically designed to reduce wind noise and drag. The Rear Roller as part of the package of the **Cargo+** is not just a great looking addition to your vehicle, it is also an extra helping hand at the end of a busy day.

## MAKE THE BEST USE OF ALL THE SPACE YOU HAVE AVAILABLE ON YOUR VEHICLES!

| Aluminum |                        |   |   |   |   |   |   |   |
|----------|------------------------|---|---|---|---|---|---|---|
| PART     | VEHICLE                |  |  |  |  |  |  |  |
| 1506-FTL | FORD TRANSIT           | 148"  | L / M   | 68" W × 150" L × 10" H  | 220 lbs   | 65"   | 109 lbs   | 0.5 hrs   |
| 1506-FTR | FORD TRANSIT           | 130"  | L / M   | 68" W × 134" L × 10" H  | 220 lbs   | 65"   | 93 lbs  | 0.5 hrs   |
| 1506-FTX | FORD TRANSIT           | 148" Ext  | High  | 65" W × 157" L × 7" H   | 220 lbs   | 65"   | 111 lbs   | 0.5 hrs   |
| 1506-TC  | FORD TRANSIT CONNECT   | 120"  | Standard  | 54" W × 103" L × 10" H  | 100 lbs   | 51"   | 65 lbs  | 2 hrs   |
| 1506-DS  | MERCEDES-BENZ SPRINTER | 144"  | Standard  | 68" W × 134" L × 9" H   | 220 lbs   | 65"   | 100 lbs   | 0.5 hrs   |
| 1506-DH  | MERCEDES-BENZ SPRINTER | 170", 170" Ext  | High  | 68" W × 157" L × 7" H   | 220 lbs   | 65"   | 113 lbs   | 0.5 hrs   |
| 1506-PHS | RAM PROMASTER          | 118"  | Standard  | 68" W × 126" L × 10" H  | 220 lbs   | 65"   | 94 lbs  | 0.5 hrs   |
| 1506-PHM | RAM PROMASTER          | 136"  | L / H   | 68" W × 133" L × 10" H  | 220 lbs   | 65"   | 97 lbs  | 0.5 hrs   |
| 1506-PHL | RAM PROMASTER          | 159"  | M / H   | 68" W × 149" L × 7" H   | 220 lbs   | 65"   | 104 lbs   | 0.5 hrs   |
| 1506-PHX | RAM PROMASTER          | 159" Ext  | High  | 68" W × 157" L × 7" H   | 220 lbs   | 65"   | 107 lbs   | 0.5 hrs   |



**SEE PAGE 196 FOR SUB-UNIT**

# VAN ROOF RACKS – CARGO RACK

## 1605 SERIES

# CARGO RACK

## DESIGNED FOR ALL SIZE VANS









### 1605-FTL SHOWN HERE.

Individual models may vary to accommodate each vehicle and may be different.

Cargo rack – 2 bar

#### Aluminum

| PART     | VEHICLE                |  |  |  |  |  |  |
|----------|------------------------|---|---|---|---|---|---|
| 1605-GS  | CHEVROLET EXPRESS      | 135", 155"  | Standard  | 73.5" W × 65" L × 13" H   | 480 lbs   | 27 lbs  | 0.8 hr  |
| 1605-FTL | FORD TRANSIT           | 148", 148" Ext  | L / M / H   | 73.5" W × 97" L × 12" H   | 480 lbs   | 34 lbs  | 1.1 hrs   |
| 1605-FTR | FORD TRANSIT           | 130"  | L / M   | 73.5" W × 84" L × 12" H   | 480 lbs   | 32 lbs  | 1.1 hrs   |
| 1605-TC  | FORD TRANSIT CONNECT   | 105", 120"  | Standard  | 61.5" W × 70.5" L × 12.5" H   | 480 lbs   | 28 lbs  | 1.1 hrs   |
| 1605-GS  | GMC SAVANA             | 135", 155"  | Standard  | 73.5" W × 65" L × 13" H   | 480 lbs   | 27 lbs  | 0.8 hr  |
| 1605-MM  | MERCEDES-BENZ METRIS   | 126", 135"  | Standard  | 67.5" W × 86.5" L × 12.5" H   | 480 lbs   | 31 lbs  | 1.1 hrs   |
| 1605-DH  | MERCEDES-BENZ SPRINTER | 144", 170", 170" Ext  | Standard, High  | 73.5" W × 110" L × 12" H  | 480 lbs   | 36 lbs  | 1.1 hrs   |
| 1605-PHS | RAM PROMASTER          | 118"  | Standard  | 73.5" W × 88.5" L × 12" H   | 480 lbs   | 33 lbs  | 1.1 hrs   |
| 1605-PHM | RAM PROMASTER          | 136"  | Standard, High  | 73.5" W × 106" L × 12" H  | 480 lbs   | 35 lbs  | 1.1 hrs   |
| 1605-PHL | RAM PROMASTER          | 159"  | High  | 73.5" W × 133.5" L × 12" H  | 480 lbs   | 38 lbs  | 1.1 hrs   |
| 1605-PHX | RAM PROMASTER          | 159" Ext  | High  | 73.5" W × 147.5" L × 12" H  | 480 lbs   | 39 lbs  | 1.1 hrs   |
| 1605-PC  | RAM PROMASTER CITY     | 122"  | Standard  | 67.5" W × 79" L × 12.5" H   | 480 lbs   | 30 lbs  | 1.1 hrs   |

# VAN ROOF RACKS – CARGO RACK

## TOUGH

- › Military-grade aluminum and stainless steel components.
- › No corrosion over the lifetime of the rack.

## QUIET

- › Aerodynamic crossbars reduce wind noise and drag.

## SIMPLE







- › Economical solution for additional cargo and ladder transportation.



### 1605-MM3 SHOWN HERE

Individual models may vary to accommodate each vehicle and may be different.

Cargo rack – 3 bar

| Aluminum  |                        |   |   |   |   |   |   |
|-----------|------------------------|---|---|---|---|---|---|
| PART      | VEHICLE                |  |  |  |  |  |  |
| 1605-GS3  | CHEVROLET EXPRESS      | 135", 155"  | Standard  | 73.5" W × 65" L × 13" H   | 720 lbs   | 40 lbs  | 1.1 hrs   |
| 1605-FTL3 | FORD TRANSIT           | 148", 148" Ext  | L / M / H   | 73.5" W × 97" L × 12" H   | 720 lbs   | 45 lbs  | 1.4 hrs   |
| 1605-FTR3 | FORD TRANSIT           | 130"  | L / M   | 73.5" W × 84" L × 12" H   | 720 lbs   | 43 lbs  | 1.4 hrs   |
| 1605-TC3  | FORD TRANSIT CONNECT   | 105", 120"  | Standard  | 61.5" W × 70.5" L × 12.5" H   | 720 lbs   | 38 lbs  | 1.4 hrs   |
| 1605-GS3  | GMC SAVANA             | 135", 155"  | Standard  | 73.5" W × 65" L × 13" H   | 720 lbs   | 40 lbs  | 1.1 hrs   |
| 1605-MM3  | MERCEDES-BENZ METRIS   | 126", 135"  | Standard  | 67.5" W × 86.5" L × 12.5" H   | 720 lbs   | 41 lbs  | 1.4 hrs   |
| 1605-DH3  | MERCEDES-BENZ SPRINTER | 144", 170", 170" Ext  | Standard, High  | 73.5" W × 110" L × 12" H  | 720 lbs   | 47 lbs  | 1.4 hrs   |
| 1605-PHS3 | RAM PROMASTER          | 118"  | Standard  | 73.5" W × 88.5" L × 12" H   | 720 lbs   | 44 lbs  | 1.4 hrs   |
| 1605-PHM3 | RAM PROMASTER          | 136"  | Standard, High  | 73.5" W × 106" L × 12" H  | 720 lbs   | 46 lbs  | 1.4 hrs   |
| 1605-PHL3 | RAM PROMASTER          | 159"  | High  | 73.5" W × 133.5" L × 12" H  | 720 lbs   | 49 lbs  | 1.4 hrs   |
| 1605-PHX3 | RAM PROMASTER          | 159" Ext  | High  | 73.5" W × 147.5" L × 12" H  | 720 lbs   | 50 lbs  | 1.4 hrs   |
| 1605-PC3  | RAM PROMASTER CITY     | 122"  | Standard  | 67.5" W × 79" L × 12.5" H   | 720 lbs   | 40 lbs  | 1.4 hrs   |

The number 3 refers to the number of bars.

**SEE PAGE 196 FOR SUB-UNIT**

# VAN ROOF RACKS – COMBINATION RACK

## 1625 SERIES

# COMBINATION RACK

## DESIGNED FOR ALL SIZE VANS










### 1625-FTR SHOWN HERE

Individual models may vary to accommodate each vehicle and may be different.

### Combination Rack – 2 bar

#### Aluminum

| PART     | VEHICLE                |  |  |  |  |  |  |  |
|----------|------------------------|---|---|---|---|---|---|---|
| 1625-GS  | CHEVROLET EXPRESS      | 135", 155"  | Standard  | 78.5" W × 101" L × 17" H  | 480 lbs   | 56 lbs  | 32 ft   | 1.2 hrs   |
| 1625-FTL | FORD TRANSIT           | 148", 148" Ext  | L / M / H   | 78.5" W × 102" L × 15.5" H  | 480 lbs   | 63 lbs  | 32 ft   | 1.5 hrs   |
| 1625-FTR | FORD TRANSIT           | 130"  | L / M   | 78.5" W × 101" L × 15.5" H  | 480 lbs   | 61 lbs  | 32 ft   | 1.5 hrs   |
| 1625-TC  | FORD TRANSIT CONNECT   | 105", 120"  | Standard  | 66.5" W × 82.5" L × 16.5" H   | 480 lbs   | 57 lbs  | 24 ft   | 1.5 hrs   |
| 1625-GS  | GMC SAVANA             | 135", 155"  | Standard  | 78.5" W × 101" L × 17" H  | 480 lbs   | 56 lbs  | 32 ft   | 1.2 hrs   |
| 1625-MM  | MERCEDES-BENZ METRIS   | 126", 135"  | Standard  | 72.5" W × 100.5" L × 16.5" H  | 480 lbs   | 60 lbs  | 28 ft   | 1.5 hrs   |
| 1625-DH  | MERCEDES-BENZ SPRINTER | 144", 170",<br>170" Ext   | Standard, High  | 78.5" W × 100" L × 16" H  | 480 lbs   | 65 lbs  | 32 ft   | 1.5 hrs   |
| 1625-PHS | RAM PROMASTER          | 118"  | Standard  | 78.5" W × 100.5" L × 16" H  | 480 lbs   | 62 lbs  | 28 ft   | 1.5 hrs   |
| 1625-PHM | RAM PROMASTER          | 136"  | Standard, High  | 78.5" W × 106" L × 16" H  | 480 lbs   | 64 lbs  | 32 ft   | 1.5 hrs   |
| 1625-PHL | RAM PROMASTER          | 159"  | High  | 78.5" W × 133.5" L × 16" H  | 480 lbs   | 67 lbs  | 32 ft   | 1.5 hrs   |
| 1625-PHX | RAM PROMASTER          | 159" Ext  | High  | 78.5" W × 147.5" L × 16" H  | 480 lbs   | 69 lbs  | 32 ft   | 1.5 hrs   |
| 1625-PC  | RAM PROMASTER CITY     | 122"  | Standard  | 72.5" W × 85" L × 16.5" H   | 480 lbs   | 59 lbs  | 24 ft   | 1.5 hrs   |



# LADDER RACK ACCESSORIES

## DESIGNED FOR ALL SIZE VANS

### 16-U1127

#### STEP LADDER KIT

Comes with nylon strap and a step lock

- This accessory will fit on any single side ladder rack, except the Cargo +
- You can install one step ladder from 3' to 8'.



### 16-U0010

Set of 2 Ratchet Straps, designed for our Cargo Rack

#### Steel

2.57" D x 2.79" W x 6.2" H

3 lbs

0.1 hr

Yes



### 16-U0015

Pair of 2-part brackets to connect the 16-U0010 Ratchet Tie Down Strap to the Cargo+

#### Aluminum

3.85" D x 2.5" W x 3.85" H

1 lb

0.1 hr

Yes



### 16-U0500

Roof Rack Rear Roller Bar, for Cargo Racks, single-side Max Racks and Clamp Racks only

#### Aluminum

28" D x 65" W x 6.2" H

10 lbs

0.5 hr

Yes



### 16-U1127

Step Ladder Kit

#### Aluminum

All

All

24" W x 96" L x 11" H

18 lbs

0.5 hr



### 16-U1130

Elevated strobe mount

#### Aluminum

8" W

1 lb

0.1 hr

No



### 16-U1135

Safe Clamp Ladder Clamping System (Set of 2)

#### Plastic

4.67" D x 17.92" W x 16.83" H

5.1 lbs

0.1 hr

No



### 16-U6078

A single Cradle & strap for 6" dia. transport tube

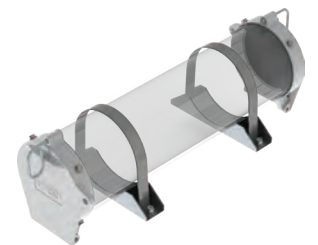
#### Aluminum

6" D

1 lb

0.1 hr

Yes



### 16-U6079

Transport tube door kit (PVC tube not included)

#### Aluminum

6" D

8 lbs

0.8 hr

Yes

# VAN ROOF RACKS – CLAMP RACK

## 1630 SERIES

# DOUBLE CLAMP RACK

## DESIGNED FOR ALL SIZE VANS










### 1630-FTR SHOWN HERE

Individual models may vary to accommodate each vehicle and may be different.

### Double Clamp Rack

#### Aluminum

| PART     | VEHICLE                |  |  |  |  |  |  |  |
|----------|------------------------|---|---|---|---|---|---|---|
| 1630-GS  | CHEVROLET EXPRESS      | 135", 155"  | Standard  | 84.5" W × 94.5" L × 17" H   | 480 lbs   | 51 lbs  | 32 ft   | 1.2 hrs   |
| 1630-FTL | FORD TRANSIT           | 148", 148" Ext  | L / M / H   | 84.5" W × 97" L × 15.5" H   | 480 lbs   | 58 lbs  | 32 ft   | 1.5 hrs   |
| 1630-FTR | FORD TRANSIT           | 130"  | L / M   | 84.5" W × 96" L × 15.5" H   | 480 lbs   | 56 lbs  | 32 ft   | 1.5 hrs   |
| 1630-TC  | FORD TRANSIT CONNECT   | 105", 120"  | Standard  | 73" W × 82.5" L × 16.5" H   | 480 lbs   | 52 lbs  | 24 ft   | 1.5 hrs   |
| 1630-GS  | GMC SAVANA             | 135", 155"  | Standard  | 84.5" W × 94.5" L × 17" H   | 480 lbs   | 51 lbs  | 32 ft   | 1.2 hrs   |
| 1630-MM  | MERCEDES-BENZ METRIS   | 126", 135"  | Standard  | 79" W × 96" L × 16.5" H   | 480 lbs   | 55 lbs  | 28 ft   | 1.5 hrs   |
| 1630-DH  | MERCEDES-BENZ SPRINTER | 144", 170",<br>170" Ext   | Standard, High  | 84.5" W × 100" L × 16" H  | 480 lbs   | 60 lbs  | 32 ft   | 1.5 hrs   |
| 1630-PHS | RAM PROMASTER          | 118"  | Standard  | 84.5" W × 97" L × 16" H   | 480 lbs   | 57 lbs  | 28 ft   | 1.5 hrs   |
| 1630-PHM | RAM PROMASTER          | 136"  | Standard, High  | 84.5" W × 106" L × 16" H  | 480 lbs   | 59 lbs  | 32 ft   | 1.5 hrs   |
| 1630-PHL | RAM PROMASTER          | 159"  | High  | 84.5" W × 133.5" L × 16" H  | 480 lbs   | 63 lbs  | 32 ft   | 1.5 hrs   |
| 1630-PHX | RAM PROMASTER          | 159" Ext  | High  | 84.5" W × 147.5" L × 16" H  | 480 lbs   | 64 lbs  | 32 ft   | 1.5 hrs   |
| 1630-PC  | RAM PROMASTER CITY     | 122"  | Standard  | 79" W × 85" L × 16.5" H   | 480 lbs   | 55 lbs  | 24 ft   | 1.5 hrs   |

# VAN ROOF RACKS – CLAMP RACK

## TOUGH

- › Military-grade aluminum and stainless steel components.
- › No corrosion over the lifetime of the rack.

## SAFE

- › No metal contact to ladder, leading to longer life of ladders with less chance of fiberglass splinters.

## SIMPLE

- › Clamping mechanism makes securing ladders a simple and easy task.



### 1630-FTR3 SHOWN HERE

Individual models may vary to accommodate each vehicle and may be different.

### Double Clamp Rack – 3 bar

| Aluminum  |                        |                      |                |                            |         |        |       |         |
|-----------|------------------------|----------------------|----------------|----------------------------|---------|--------|-------|---------|
| PART      | VEHICLE                |                      |                |                            |         |        |       |         |
| 1630-GS3  | CHEVROLET EXPRESS      | 135", 155"           | Standard       | 84.5" W × 94.5" L × 17" H  | 720 lbs | 63 lbs | 32 ft | 1.4 hrs |
| 1630-FTL3 | FORD TRANSIT           | 148", 148" Ext       | L / M / H      | 84.5" W × 97" L × 15.5" H  | 720 lbs | 68 lbs | 32 ft | 1.7 hrs |
| 1630-FTR3 | FORD TRANSIT           | 130"                 | L / M          | 84.5" W × 96" L × 15.5" H  | 720 lbs | 66 lbs | 32 ft | 1.7 hrs |
| 1630-GS3  | GMC SAVANA             | 135", 155"           | Standard       | 84.5" W × 94.5" L × 17" H  | 720 lbs | 63 lbs | 32 ft | 1.4 hrs |
| 1630-MM3  | MERCEDES-BENZ METRIS   | 126", 135"           | Standard       | 79" W × 96" L × 16.5" H    | 720 lbs | 64 lbs | 28 ft | 1.7 hrs |
| 1630-DH3  | MERCEDES-BENZ SPRINTER | 144", 170", 170" Ext | Standard, High | 84.5" W × 100" L × 16" H   | 720 lbs | 70 lbs | 32 ft | 1.7 hrs |
| 1630-PHS3 | RAM PROMASTER          | 118"                 | Standard       | 84.5" W × 97" L × 16" H    | 720 lbs | 67 lbs | 28 ft | 1.7 hrs |
| 1630-PHM3 | RAM PROMASTER          | 136"                 | Standard, High | 84.5" W × 106" L × 16" H   | 720 lbs | 69 lbs | 32 ft | 1.7 hrs |
| 1630-PHL3 | RAM PROMASTER          | 159"                 | High           | 84.5" W × 133.5" L × 16" H | 720 lbs | 72 lbs | 32 ft | 1.7 hrs |
| 1630-PHX3 | RAM PROMASTER          | 159" Ext             | High           | 84.5" W × 147.5" L × 16" H | 720 lbs | 73 lbs | 32 ft | 1.7 hrs |

The number 3 refers to the number of bars.

### Extended Clamp Rack – 3 bar

| Aluminum |                      |            |          |                           |         |        |       |         |
|----------|----------------------|------------|----------|---------------------------|---------|--------|-------|---------|
| PART     | VEHICLE              |            |          |                           |         |        |       |         |
| 1630-TCX | FORD TRANSIT CONNECT | 105", 120" | Standard | 73" W × 94.5" L × 16.5" H | 480 lbs | 59 lbs | 28 ft | 1.6 hrs |
| 1630-PCX | RAM PROMASTER CITY   | 122"       | Standard | 79" W × 97" L × 16.5" H   | 480 lbs | 64 lbs | 28 ft | 1.6 hrs |

**SEE PAGE 196 FOR SUB-UNIT**

# VAN ROOF RACKS – MAX RACK LOW ROOF

## 1840 SERIES

# MAX RACK LOW ROOF - SINGLE DESIGNED FOR LOW ROOF VANS










### 1840-FTL SHOWN HERE

Individual models may vary to accommodate each vehicle and may be different.

### Max Rack Low Roof Single Side

#### Aluminum

| PART     | VEHICLE              |  |  |  |  |  |  |  |
|----------|----------------------|---|---|---|---|---|---|---|
| 1840-GS  | CHEVROLET EXPRESS    | 135", 155"  | Standard  | 76.5" W × 113.5" L × 16.5" H  | 480 lbs   | 78 lbs  | 32 ft   | 1.4 hrs   |
| 1840-FTL | FORD TRANSIT         | 148", 148" Ext  | Low   | 76.5" W × 120.5" L × 15" H  | 480 lbs   | 85 lbs  | 32 ft   | 1.7 hrs   |
| 1840-FTR | FORD TRANSIT         | 130"  | Low   | 76.5" W × 113.5" L × 15" H  | 480 lbs   | 84 lbs  | 32 ft   | 1.7 hrs   |
| 1840-GS  | GMC SAVANA           | 135", 155"  | Standard  | 76.5" W × 113.5" L × 16.5" H  | 480 lbs   | 78 lbs  | 32 ft   | 1.4 hrs   |
| 1840-MM  | MERCEDES-BENZ METRIS | 126", 135"  | Standard  | 70.5" W × 101.5" L × 15.5" H  | 480 lbs   | 82 lbs  | 28 ft   | 1.7 hrs   |



## 1850 SERIES

# MAX RACK LOW ROOF - DOUBLE DESIGNED FOR LOW ROOF VANS



### 1850-FTR SHOWN HERE

Individual models may vary to accommodate each vehicle and may be different.

### Max Rack Low Roof Double Side – 2 Bar

| Aluminum |                      |                |          |                              |         |         |       |         |
|----------|----------------------|----------------|----------|------------------------------|---------|---------|-------|---------|
| PART     | VEHICLE              |                |          |                              |         |         |       |         |
| 1850-GS  | CHEVROLET EXPRESS    | 135", 155"     | Standard | 80.5" W x 113.5" L x 16.5" H | 480 lbs | 136 lbs | 32 ft | 2.2 hrs |
| 1850-FTL | FORD TRANSIT         | 148", 148" Ext | Low      | 80.5" W x 120.5" L x 15" H   | 480 lbs | 143 lbs | 32 ft | 2.5 hrs |
| 1850-FTR | FORD TRANSIT         | 130"           | Low      | 80.5" W x 113.5" L x 15" H   | 480 lbs | 141 lbs | 32 ft | 2.5 hrs |
| 1850-GS  | GMC SAVANA           | 135", 155"     | Standard | 80.5" W x 113.5" L x 16.5" H | 480 lbs | 136 lbs | 32 ft | 2.2 hrs |
| 1850-MM  | MERCEDES-BENZ METRIS | 126", 135"     | Standard | 75" W x 101.5" L x 15.5" H   | 480 lbs | 140 lbs | 28 ft | 2.5 hrs |

### Max Rack Low Roof Double Side – 3 Bar

| Aluminum  |                      |                |          |                              |         |         |       |         |
|-----------|----------------------|----------------|----------|------------------------------|---------|---------|-------|---------|
| PART      | VEHICLE              |                |          |                              |         |         |       |         |
| 1850-GS3  | CHEVROLET EXPRESS    | 135", 155"     | Standard | 80.5" W x 113.5" L x 16.5" H | 720 lbs | 146 lbs | 32 ft | 2.4 hrs |
| 1850-FTL3 | FORD TRANSIT         | 148", 148" Ext | Low      | 80.5" W x 120.5" L x 15" H   | 720 lbs | 151 lbs | 32 ft | 2.7 hrs |
| 1850-FTR3 | FORD TRANSIT         | 130"           | Low      | 80.5" W x 113.5" L x 15" H   | 720 lbs | 149 lbs | 32 ft | 2.7 hrs |
| 1850-GS3  | GMC SAVANA           | 135", 155"     | Standard | 80.5" W x 113.5" L x 16.5" H | 720 lbs | 146 lbs | 32 ft | 2.4 hrs |
| 1850-MM3  | MERCEDES-BENZ METRIS | 126", 135"     | Standard | 75" W x 101.5" L x 15.5" H   | 720 lbs | 147 lbs | 28 ft | 2.7 hrs |

The number 3 refers to the number of bars.

**SEE PAGE 197 FOR SUB-UNIT**

## 1870 – 1880 SERIES

# MAX RACK

## DESIGNED FOR HIGH ROOF VANS

Makes loading and unloading ladders an easy operation.



# THE EVOLUTION OF OUR DROP DOWN LADDER RACK

### TOUGH

- › Military-grade aluminum and stainless steel components.
- › No corrosion over the lifetime of the rack.

Only ladder rack with a 3 year warranty

### SAFE

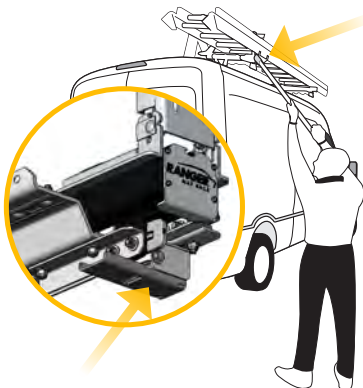
- › Easy access from ground.
- › Lower profile on roof.
- › Each mechanism has a weight capacity of 100 lbs (both single and double).

### SIMPLE

- › Single stage operation for fast loading and unloading of ladders on high roof vans.

# MAX RACK IS FAST AND EASY TO OPERATE

## LOWER LADDER



1

### STEP ONE

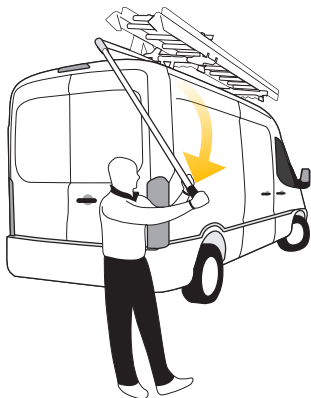
Release the lock before operating the rack.



2

### STEP TWO

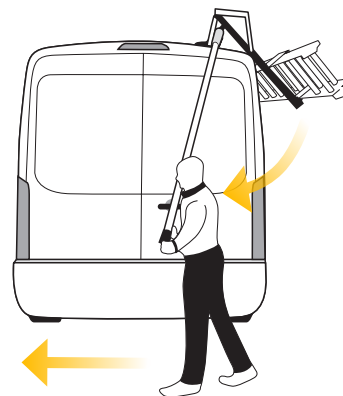
With both hands, insert the handle into the Max Rack and turn to secure.



3

### STEP THREE

Pull the handle down towards you.



4

### STEP FOUR

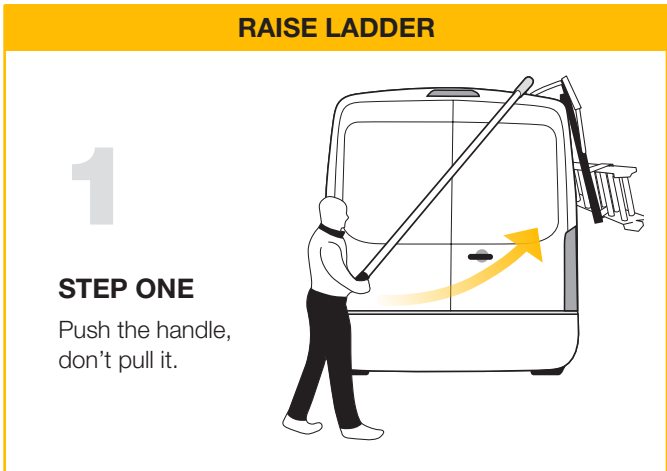
Turn around. Push the handle forward.



5

### STEP FIVE

Continue to push the handle until the Max Rack has finished its descent. Do not let go of handle until ladder has fully descended.



## RAISE LADDER

1

### STEP ONE

Push the handle, don't pull it.

# VAN ROOF RACKS – MAX RACK

## 1870 SINGLE MAX RACK








Fast and easy access to an extension or step ladder with extra room for additional cargo.



**1870-FTR SHOWN HERE.**  
Individual models may vary to accommodate each vehicle and may be different.

Single Side Max Rack – 2 bar

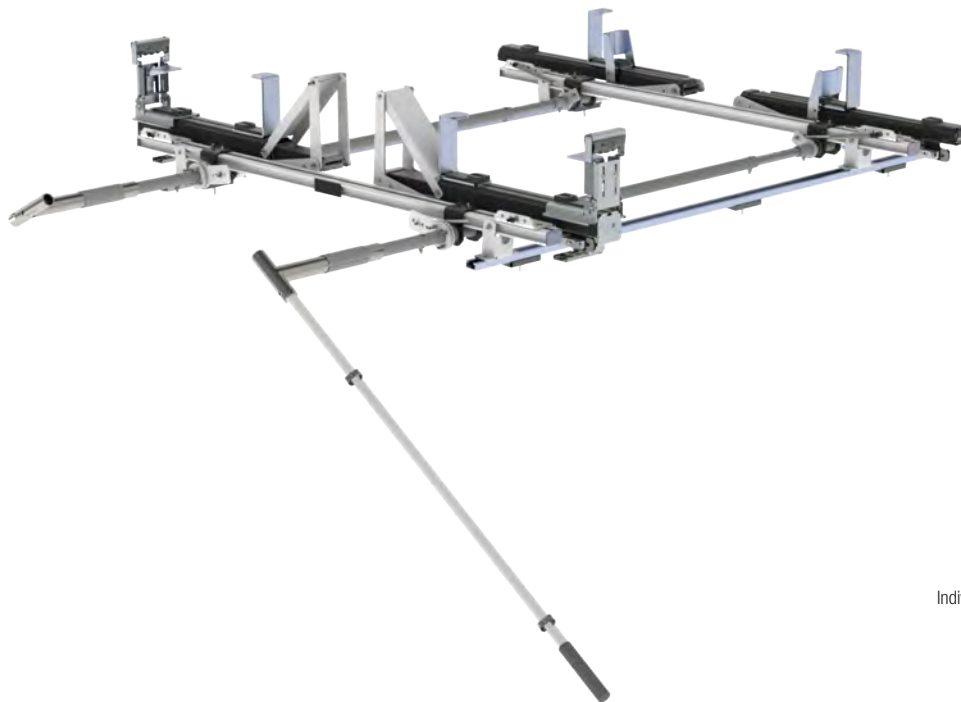
### Aluminum

| PART            | VEHICLE                |  |  |  |  |  |  |  |
|-----------------|------------------------|---|---|---|---|---|---|---|
| <b>1870-DH</b>  | MERCEDES-BENZ SPRINTER | 144", 170", 170" Ext  | Standard, High  | 76.5" W x 137.5" L x 17.5" H  | 480 lbs   | 102 lbs   | 32 ft   | 2 hrs   |
| <b>1870-FTL</b> | FORD TRANSIT           | 148", 148" Ext  | Medium, High  | 76.5" W x 125.5" L x 17" H  | 480 lbs   | 100 lbs   | 32 ft   | 2 hrs   |
| <b>1870-FTR</b> | FORD TRANSIT           | 130"  | Medium  | 76.5" W x 113.5" L x 17" H  | 480 lbs   | 98 lbs  | 28 ft   | 2 hrs   |
| <b>1870-PHL</b> | RAM PROMASTER          | 159"  | High  | 76.5" W x 151.5" L x 17" H  | 480 lbs   | 104 lbs   | 32 ft   | 2 hrs   |
| <b>1870-PHM</b> | RAM PROMASTER          | 136"  | Standard, High  | 76.5" W x 130" L x 17" H  | 480 lbs   | 101 lbs   | 32 ft   | 2 hrs   |
| <b>1870-PHS</b> | RAM PROMASTER          | 118"  | Standard  | 76.5" W x 113.5" L x 17" H  | 480 lbs   | 99 lbs  | 28 ft   | 2 hrs   |
| <b>1870-PHX</b> | RAM PROMASTER          | 159" Ext.   | High  | 76.5" W x 162.5" L x 17" H  | 480 lbs   | 105 lbs   | 32 ft   | 2 hrs   |










## 1880 DOUBLE MAX RACK

An ergonomic choice to store two extension or step ladders on a high roof vehicle.










**1880-FTR SHOWN HERE.**  
Individual models may vary to accommodate each vehicle and may be different.

Double Side Max Rack – 2 bar

| Aluminum        |                        |   |   |   |   |   |   |   |
|-----------------|------------------------|---|---|---|---|---|---|---|
| PART            | VEHICLE                |  |  |  |  |  |  |  |
| <b>1880-DH</b>  | MERCEDES-BENZ SPRINTER | 144", 170", 170" Ext  | Standard, High  | 81" W x 137.5" L x 17.5" H  | 480 lbs   | 174 lbs   | 32 ft   | 3 hrs   |
| <b>1880-FTL</b> | FORD TRANSIT           | 148", 148" Ext  | Medium, High  | 81" W x 125.5" L x 17" H  | 480 lbs   | 172 lbs   | 32 ft   | 3 hrs   |
| <b>1880-FTR</b> | FORD TRANSIT           | 130"  | Medium  | 81" W x 113.5" L x 17" H  | 480 lbs   | 170 lbs   | 32 ft   | 3 hrs   |
| <b>1880-PHL</b> | RAM PROMASTER          | 159"  | High  | 81" W x 151.5" L x 17" H  | 480 lbs   | 176 lbs   | 32 ft   | 3 hrs   |
| <b>1880-PHM</b> | RAM PROMASTER          | 136"  | Standard, High  | 81" W x 130" L x 17" H  | 480 lbs   | 173 lbs   | 32 ft   | 3 hrs   |
| <b>1880-PHS</b> | RAM PROMASTER          | 118"  | Standard  | 81" W x 113.5" L x 17" H  | 480 lbs   | 171 lbs   | 28 ft   | 3 hrs   |
| <b>1880-PHX</b> | RAM PROMASTER          | 159" Ext.   | High  | 81" W x 162.5" L x 17" H  | 480 lbs   | 177 lbs   | 32 ft   | 3 hrs   |

Double Side Max Rack – 3 bar

| Aluminum         |                        |   |   |   |   |   |   |   |
|------------------|------------------------|---|---|---|---|---|---|---|
| PART             | VEHICLE                |  |  |  |  |  |  |  |
| <b>1880-DH3</b>  | MERCEDES-BENZ SPRINTER | 144", 170", 170" Ext  | Standard, High  | 81" W x 137.5" L x 17.5" H  | 720 lbs   | 182 lbs   | 32 ft   | 3.2 hrs   |
| <b>1880-FTL3</b> | FORD TRANSIT           | 148", 148" Ext  | Medium, High  | 81" W x 125.5" L x 17" H  | 720 lbs   | 180 lbs   | 32 ft   | 3.2 hrs   |
| <b>1880-FTR3</b> | FORD TRANSIT           | 130"  | Medium  | 81" W x 113.5" L x 17" H  | 720 lbs   | 178 lbs   | 32 ft   | 3.2 hrs   |
| <b>1880-PHL3</b> | RAM PROMASTER          | 159"  | High  | 81" W x 151.5" L x 17" H  | 720 lbs   | 184 lbs   | 32 ft   | 3.2 hrs   |
| <b>1880-PHM3</b> | RAM PROMASTER          | 136"  | Standard, High  | 81" W x 130" L x 17" H  | 720 lbs   | 181 lbs   | 32 ft   | 3.2 hrs   |
| <b>1880-PHS3</b> | RAM PROMASTER          | 118"  | Standard  | 81" W x 113.5" L x 17" H  | 720 lbs   | 179 lbs   | 28 ft   | 3.2 hrs   |
| <b>1880-PHX3</b> | RAM PROMASTER          | 159" Ext.   | High  | 81" W x 162.5" L x 17" H  | 720 lbs   | 186 lbs   | 32 ft   | 3.2 hrs   |

The number 3 refers to the number of bars.

# VAN ROOF RACKS – ACCESS STOW

## 1920 SERIES ACCESS STOW DESIGNED FOR HIGH ROOF VANS

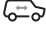
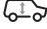







1920-FTR SHOWN HERE.

Individual models may vary to accommodate each vehicle and may be different.

### Access Stow Single

#### Aluminum

| PART     | VEHICLE                |  |  |  |  |  |  |  |
|----------|------------------------|---|---|---|--|---|---|---|
| 1920-FTL | FORD TRANSIT           | 148", 148" Ext  | Low, Medium, High   | 74" W × 127" L × 19.5" H  | 720 lbs  | 163 lbs   | 32 ft   | 2.2 hrs   |
| 1920-FTR | FORD TRANSIT           | 130"  | Low, Medium, High   | 74" W × 127" L × 19.5" H  | 720 lbs  | 161 lbs   | 32 ft   | 2.2 hrs   |
| 1920-DH  | MERCEDES-BENZ SPRINTER | 144", 170",<br>170" Ext   | Standard, High  | 74" W × 128.5" L × 20" H  | 720 lbs  | 165 lbs   | 32 ft   | 2.2 hrs   |
| 1920-PHS | RAM PROMASTER          | 118"  | Standard  | 74" W × 127" L × 18.5" H  | 720 lbs  | 162 lbs   | 28 ft   | 2.2 hrs   |
| 1920-PHM | RAM PROMASTER          | 136"  | Standard, High  | 74" W × 127" L × 18.5" H  | 720 lbs  | 164 lbs   | 32 ft   | 2.2 hrs   |
| 1920-PHL | RAM PROMASTER          | 159"  | High  | 74" W × 147.5" L × 18.5" H  | 720 lbs  | 168 lbs   | 32 ft   | 2.2 hrs   |
| 1920-PHX | RAM PROMASTER          | 159" Ext  | High  | 74" W × 161" L × 18.5" H  | 720 lbs  | 169 lbs   | 32 ft   | 2.2 hrs   |

# VAN ROOF RACKS – ACCESS STOW

## TOUGH

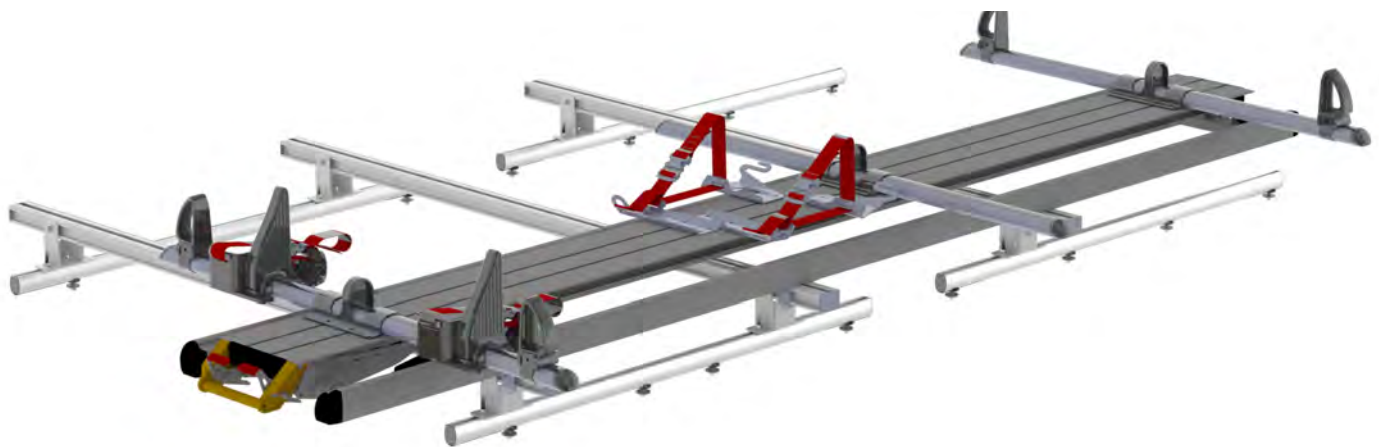
- Built from sturdy aluminum.
- Durable polyester straps keep the ladders secure.

## SAFE

- The rack slides down to ground level, eliminating the need to stretch or climb onto the van roof.
- Each mechanism has a weight capacity of 130 lbs (both single and double).

## SIMPLE

- The mechanism is designed to make loading and unloading, a quick and easy process.










1930-DH SHOWN HERE.

Individual models may vary to accommodate each vehicle and may be different.

### Access Stow Double

#### Aluminum

| PART     | VEHICLE                |  |  |  |  |  |  |  |
|----------|------------------------|---|---|---|---|---|---|---|
| 1930-FTL | FORD TRANSIT           | 148", 148" Ext  | Low, Medium, High   | 85" W × 127" L × 19.5" H  | 720 lbs   | 185 lbs   | 32 ft   | 2.2 hrs   |
| 1930-FTR | FORD TRANSIT           | 130"  | Low, Medium, High   | 85" W × 127" L × 19.5" H  | 720 lbs   | 184 lbs   | 32 ft   | 2.2 hrs   |
| 1930-DH  | MERCEDES-BENZ SPRINTER | 144", 170",<br>170" Ext   | Standard, High  | 85" W × 128.5" L × 20" H  | 720 lbs   | 188 lbs   | 32 ft   | 2.2 hrs   |
| 1930-PHS | RAM PROMASTER          | 118"  | Standard  | 85" W × 127" L × 18.5" H  | 720 lbs   | 185 lbs   | 28 ft   | 2.2 hrs   |
| 1930-PHM | RAM PROMASTER          | 136"  | Standard, High  | 85" W × 127" L × 18.5" H  | 720 lbs   | 186 lbs   | 32 ft   | 2.2 hrs   |
| 1930-PHL | RAM PROMASTER          | 159"  | High  | 85" W × 147.5" L × 18.5" H  | 720 lbs   | 190 lbs   | 32 ft   | 2.2 hrs   |
| 1930-PHX | RAM PROMASTER          | 159" Ext  | High  | 85" W × 161" L × 18.5" H  | 720 lbs   | 191 lbs   | 32 ft   | 2.2 hrs   |

**SEE PAGE 197 FOR SUB-UNIT**

# VAN ROOF RACKS – SUB-UNIT GUIDE

## 1506 SERIES CARGO +

| PART     | VEHICLE                               | BOX 1 - SIDE BARS | BOX 2 - FEET AND CROSSBARS | BOX 3 - SUPPLEMENTAL CROSSBARS |
|----------|---------------------------------------|-------------------|----------------------------|--------------------------------|
| 1506-FTR | FORD TRANSIT LR 130"                  | 15-U1007          | 15-U4013                   |                                |
| 1506-FTL | FORD TRANSIT LR, MR, HR 148"          | 15-U1008          | 15-U4014                   |                                |
| 1506-FTX | FORD TRANSIT 148" Ext                 | 15-U1009          | 15-U4015                   | 15-U2003                       |
| 1506-TC  | FORD TRANSIT CONNECT 120"             | 15-U1000          | 15-U2000                   | 15-U3000                       |
| 1506-DS  | MERCEDES-BENZ SPRINTER 144"           | 15-U1007          | 15-U4016                   |                                |
| 1506-DH  | MERCEDES-BENZ SPRINTER 170", 170" Ext | 15-U1009          | 15-U4017                   | 15-U2003                       |
| 1506-PHS | RAM PROMASTER 118"                    | 15-U1006          | 15-U4018                   | 15-U2004                       |
| 1506-PHM | RAM PROMASTER LR 136"                 | 15-U1007          | 15-U4018                   | 15-U2004                       |
| 1506-PHL | RAM PROMASTER 159"                    | 15-U1008          | 15-U4019                   | 15-U2004                       |
| 1506-PHX | RAM PROMASTER 159" Ext                | 15-U1009          | 15-U4019                   | 15-U2004                       |



## 1605 SERIES CARGO RACK

| PART     | DESCRIPTION   |
|----------|---|
| 16-U0005 | Cargo rack kit for 1 crossbar - 2 x End stops, 2 x Tie-Downs & 72" Track Plug |

## 1630 SERIES CLAMP RACK

| PART     | DESCRIPTION                                     |
|----------|---|
| 16-U1127 | Step Laddered Kit                               |
| 16-UCL65 | Universal side Short Ski and Mechanism Kit      |
| 16-UCL77 | Universal side Long Ski and Mechanism Kit       |
| 16-UFB03 | 3 <sup>rd</sup> Bar Fastener Kit for Clamp Rack |



## 1840 SERIES MAX RACK LOW ROOF

| PART     | DESCRIPTION                      |
|----------|----------------------------------|
| 18-U1820 | Passenger Side Low Roof Max Rack |
| 18-U1825 | Driver Side Low Roof Max Rack    |

## UNIVERSAL CROSSBAR KIT

| PART     | DESCRIPTION   |
|----------|---|
| 16-UCD60 | Set of two Crossbars 60" wide, Includes mounting feet                             |
| 16-UCD66 | Set of two Crossbars 66" wide, Includes mounting feet                             |
| 16-UCD72 | Set of two Crossbars 72" wide, Includes mounting feet <i>(Replacing 18-U1806)</i> |
| 16-UCD6S | Set of two Crossbars 72" wide, Includes GM Savana mounting feet                   |
| 16-UCS60 | Single Crossbar 60" with feet   |
| 16-UCS66 | Single Crossbar 66" with feet   |
| 16-UCS72 | Single Crossbar 72" with feet <i>(Replacing 18-U1805)</i>                         |
| 16-UCS6S | Single Crossbar 72" with feet for GM SAVANA / EXPRESS                             |
| 16-UCT60 | Single Crossbar 60" no feet   |

## 1870 – 1880 SERIES MAX RACK

| PART     | DESCRIPTION              |
|----------|--------------------------|
| 18-U1810 | Passenger side mechanism |
| 18-U1815 | Driver side mechanism    |
| 18-U1807 | Handle                   |

## 1920 SERIES ACCESS STOW

| PART     | DESCRIPTION                      |
|----------|----------------------------------|
| 19-U0001 | Rear loader single width bracket |
| 19-U0002 | Rear loader double width bracket |
| 19-U0003 | Rear loader mechanism carriage   |

## UNIVERSAL MOUNTING KIT

| PART     | DESCRIPTION   |
|----------|---|
| 18-U0010 | Mounting kit NISSAN NV                                    |
| 18-U0018 | Mounting kit MERCEDES-BENZ SPRINTER                       |
| 18-U0019 | Mounting kit SPRINTER WITH OEM TRACKS                     |
| 18-U0020 | Mounting kit RAM PROMASTER 118"                           |
| 18-U0022 | Mounting kit RAM PROMASTER 136"                           |
| 18-U0030 | Mounting kit FORD TRANSIT 148"                            |
| 18-U0032 | Mounting kit RAM PROMASTER 159"                           |
| 18-U0034 | Mounting kit RAM PROMASTER 159" Ext.                      |
| 18-U0042 | Mounting kit FORD TRANSIT 130"                            |
| 18-U0043 | Mounting kit MERCEDES-BENZ METRIS                         |
| 18-U0045 | Mounting kit RAM PROMASTER CITY                           |
| 18-U0046 | Mounting kit FORD TRANSIT CONNECT/NV200                   |
| 18-U0047 | Mounting Kit, Set of 2 Universal Bolt Through foot mounts |

# INDEX

|                    |     |                     |     |                     |     |                     |     |                    |     |
|--------------------|-----|---------------------|-----|---------------------|-----|---------------------|-----|--------------------|-----|
| 1050-FS . . . . .  | 179 | 16-UCS66 . . . . .  | 197 | 1630-PC . . . . .   | 186 | 1870-PHS . . . . .  | 192 | 3020-FTM . . . . . | 38  |
| 15-U1000 . . . . . | 196 | 16-UCS72 . . . . .  | 197 | 1630-PCX . . . . .  | 187 | 1870-PHX . . . . .  | 192 | 3020-GS . . . . .  | 38  |
| 15-U1001 . . . . . | 196 | 16-UCSGS . . . . .  | 197 | 1630-PHL . . . . .  | 186 | 1880-DH . . . . .   | 193 | 3020-PC . . . . .  | 38  |
| 15-U1002 . . . . . | 196 | 16-UCT60 . . . . .  | 197 | 1630-PHL3 . . . . . | 187 | 1880-DH3 . . . . .  | 193 | 3020-RP . . . . .  | 38  |
| 15-U1003 . . . . . | 196 | 16-UFB03 . . . . .  | 196 | 1630-PHM . . . . .  | 186 | 1880-FTL . . . . .  | 193 | 3020-TC . . . . .  | 39  |
| 15-U1005 . . . . . | 196 | 1605-DH . . . . .   | 182 | 1630-PHM3 . . . . . | 187 | 1880-FTL3 . . . . . | 193 | 3025-DH . . . . .  | 48  |
| 15-U2000 . . . . . | 196 | 1605-DH3 . . . . .  | 183 | 1630-PHS . . . . .  | 186 | 1880-FTR . . . . .  | 193 | 3068-DH . . . . .  | 47  |
| 15-U2002 . . . . . | 196 | 1605-FTL . . . . .  | 182 | 1630-PHS3 . . . . . | 187 | 1880-FTR3 . . . . . | 193 | 3068-DL . . . . .  | 47  |
| 15-U3000 . . . . . | 196 | 1605-FTL3 . . . . . | 183 | 1630-PHX . . . . .  | 186 | 1880-NH . . . . .   | 193 | 3068-FTH . . . . . | 48  |
| 15-U4000 . . . . . | 196 | 1605-FTR . . . . .  | 182 | 1630-PHX3 . . . . . | 187 | 1880-PHL . . . . .  | 193 | 3068-FTM . . . . . | 48  |
| 15-U4006 . . . . . | 196 | 1605-FTR3 . . . . . | 183 | 1630-TC . . . . .   | 186 | 1880-PHL3 . . . . . | 193 | 3068-RP . . . . .  | 48  |
| 1506-DH . . . . .  | 181 | 1605-GS . . . . .   | 182 | 1630-TCX . . . . .  | 187 | 1880-PHM . . . . .  | 193 | 3310-DH . . . . .  | 35  |
| 1506-DH . . . . .  | 196 | 1605-GS3 . . . . .  | 183 | 18-U0010 . . . . .  | 197 | 1880-PHM3 . . . . . | 193 | 3310-DL . . . . .  | 35  |
| 1506-DS . . . . .  | 181 | 1605-MM . . . . .   | 182 | 18-U0018 . . . . .  | 197 | 1880-PHS . . . . .  | 193 | 3310-GS . . . . .  | 35  |
| 1506-DS . . . . .  | 196 | 1605-MM3 . . . . .  | 183 | 18-U0019 . . . . .  | 197 | 1880-PHS3 . . . . . | 193 | 3310-FTH . . . . . | 35  |
| 1506-FTL . . . . . | 181 | 1605-PC . . . . .   | 182 | 18-U0020 . . . . .  | 197 | 1880-PHX . . . . .  | 193 | 3310-FTM . . . . . | 36  |
| 1506-FTL . . . . . | 196 | 1605-PC3 . . . . .  | 183 | 18-U0022 . . . . .  | 197 | 1880-PHX3 . . . . . | 193 | 3310-PC . . . . .  | 36  |
| 1506-FTR . . . . . | 181 | 1605-PHL . . . . .  | 182 | 18-U0030 . . . . .  | 197 | 19-U0001 . . . . .  | 197 | 3310-RP . . . . .  | 36  |
| 1506-FTR . . . . . | 196 | 1605-PHL3 . . . . . | 183 | 18-U0032 . . . . .  | 197 | 19-U0002 . . . . .  | 197 | 3320-DH . . . . .  | 36  |
| 1506-FTX . . . . . | 181 | 1605-PHM . . . . .  | 182 | 18-U0034 . . . . .  | 197 | 19-U0003 . . . . .  | 197 | 3320-DL . . . . .  | 36  |
| 1506-FTX . . . . . | 196 | 1605-PHM3 . . . . . | 183 | 18-U0042 . . . . .  | 197 | 1920-DH . . . . .   | 194 | 3320-GS . . . . .  | 36  |
| 1506-PHL . . . . . | 181 | 1605-PHS . . . . .  | 182 | 18-U0043 . . . . .  | 197 | 1920-FTL . . . . .  | 194 | 3320-FTH . . . . . | 37  |
| 1506-PHL . . . . . | 196 | 1605-PHS3 . . . . . | 183 | 18-U0045 . . . . .  | 197 | 1920-FTR . . . . .  | 194 | 3320-FTL . . . . . | 34  |
| 1506-PHM . . . . . | 181 | 1605-PHX . . . . .  | 182 | 18-U0046 . . . . .  | 197 | 1920-PHL . . . . .  | 194 | 3320-FTM . . . . . | 37  |
| 1506-PHM . . . . . | 196 | 1605-PHX3 . . . . . | 183 | 18-U0047 . . . . .  | 197 | 1920-PHM . . . . .  | 194 | 3320-MM . . . . .  | 34  |
| 1506-PHS . . . . . | 181 | 1605-TC . . . . .   | 182 | 18-U1807 . . . . .  | 197 | 1920-PHS . . . . .  | 194 | 3320-RP . . . . .  | 37  |
| 1506-PHS . . . . . | 196 | 1605-TC3 . . . . .  | 183 | 18-U1810 . . . . .  | 197 | 1920-PHX . . . . .  | 194 | 3320-TC . . . . .  | 34  |
| 1506-PHX . . . . . | 181 | 1625-DH . . . . .   | 184 | 18-U1815 . . . . .  | 197 | 1930-DH . . . . .   | 195 | 3520-M . . . . .   | 35  |
| 1506-PHX . . . . . | 196 | 1625-FTL . . . . .  | 184 | 18-U1820 . . . . .  | 197 | 1930-FTL . . . . .  | 195 | 5010 . . . . .     | 152 |
| 1506-TC . . . . .  | 181 | 1625-FTR . . . . .  | 184 | 18-U1825 . . . . .  | 197 | 1930-FTR . . . . .  | 195 | 5011 . . . . .     | 152 |
| 1506-TC . . . . .  | 196 | 1625-GS . . . . .   | 184 | 1840-FTL . . . . .  | 188 | 1930-PHL . . . . .  | 195 | 5014 . . . . .     | 153 |
| 16-U0005 . . . . . | 196 | 1625-MM . . . . .   | 184 | 1840-FTR . . . . .  | 188 | 1930-PHM . . . . .  | 195 | 5020 . . . . .     | 153 |
| 16-U0010 . . . . . | 185 | 1625-PC . . . . .   | 184 | 1840-GS . . . . .   | 188 | 1930-PHS . . . . .  | 195 | 5021 . . . . .     | 153 |
| 16-U0015 . . . . . | 185 | 1625-PHL . . . . .  | 184 | 1840-MM . . . . .   | 188 | 1930-PHX . . . . .  | 195 | 5025 . . . . .     | 153 |
| 16-U0500 . . . . . | 185 | 1625-PHM . . . . .  | 184 | 1850-FTL . . . . .  | 189 | 3010-DH . . . . .   | 41  | 5026 . . . . .     | 153 |
| 16-U1127 . . . . . | 185 | 1625-PHS . . . . .  | 184 | 1850-FTL3 . . . . . | 189 | 3010-DL . . . . .   | 41  | 5028 . . . . .     | 153 |
| 16-U1127 . . . . . | 196 | 1625-PHX . . . . .  | 184 | 1850-FTR . . . . .  | 189 | 3010-FTH . . . . .  | 41  | 5029 . . . . .     | 154 |
| 16-U1130 . . . . . | 185 | 1625-TC . . . . .   | 184 | 1850-FTR3 . . . . . | 189 | 3010-FTL . . . . .  | 41  | 5032-0 . . . . .   | 150 |
| 16-U1135 . . . . . | 185 | 1630-DH . . . . .   | 186 | 1850-GS . . . . .   | 189 | 3010-FTM . . . . .  | 41  | 5032-1 . . . . .   | 150 |
| 16-U6078 . . . . . | 185 | 1630-DH3 . . . . .  | 187 | 1850-GS3 . . . . .  | 189 | 3010-GS . . . . .   | 42  | 5032-2 . . . . .   | 150 |
| 16-U6079 . . . . . | 185 | 1630-FTL . . . . .  | 186 | 1850-MM . . . . .   | 189 | 3010-PC . . . . .   | 42  | 5032-3 . . . . .   | 150 |
| 16-UCD60 . . . . . | 197 | 1630-FTL3 . . . . . | 187 | 1850-MM3 . . . . .  | 189 | 3010-RP . . . . .   | 42  | 5032-A . . . . .   | 150 |
| 16-UCD66 . . . . . | 197 | 1630-FTR . . . . .  | 186 | 1870-DH . . . . .   | 192 | 3010-TC . . . . .   | 42  | 5032-F . . . . .   | 151 |
| 16-UCD72 . . . . . | 197 | 1630-FTR3 . . . . . | 187 | 1870-FTL . . . . .  | 192 | 3015-DH . . . . .   | 48  | 5037-0 . . . . .   | 151 |
| 16-UCDGS . . . . . | 197 | 1630-GS . . . . .   | 186 | 1870-FTR . . . . .  | 192 | 3020-DH . . . . .   | 37  | 5037-1 . . . . .   | 151 |
| 16-UCL65 . . . . . | 196 | 1630-GS3 . . . . .  | 187 | 1870-NH . . . . .   | 192 | 3020-DL . . . . .   | 37  | 5037-2 . . . . .   | 151 |
| 16-UCL77 . . . . . | 196 | 1630-MM . . . . .   | 186 | 1870-PHL . . . . .  | 192 | 3020-FTM . . . . .  | 38  | 5037-3 . . . . .   | 151 |
| 16-UCS60 . . . . . | 197 | 1630-MM3 . . . . .  | 187 | 1870-PHM . . . . .  | 192 | 3020-FTL . . . . .  | 38  | 5037-A . . . . .   | 151 |

|                 |                 |                 |                  |                  |
|-----------------|-----------------|-----------------|------------------|------------------|
| 5037-F..... 152 | 6086..... 163   | 6255..... 172   | 84-U1848.... 145 | C24-X..... 50    |
| 5040..... 160   | 6088..... 163   | 6257-19.... 172 | 84-U1860.... 145 | C30-DH..... 46   |
| 5041..... 160   | 6090..... 170   | 6258..... 172   | 84-U1872.... 145 | C30-DL..... 46   |
| 5044..... 160   | 6091..... 170   | 6540-FCL.... 24 | 84-U2036.... 145 | C30-FTH..... 46  |
| 5045..... 160   | 6092-42.... 170 | 6540-FCS.... 24 | 84-U2048.... 145 | C30-FTL..... 46  |
| 5047..... 160   | 6093..... 170   | 6540-GSR.... 24 | 84-U2060.... 145 | C30-FTM..... 46  |
| 5048..... 154   | 6093-27.... 170 | 6540-GSR.... 25 | 84-U2072.... 145 | C30-GS..... 47   |
| 5049..... 154   | 6095..... 171   | 6540-GSX.... 24 | BTL-10..... 54   | C30-X..... 47    |
| 5050..... 154   | 6096..... 171   | 6540-GSX.... 25 | BTL-11..... 55   | C4-BA11-3... 161 |
| 5051..... 154   | 6097..... 171   | 6541-DL..... 26 | BTL-12..... 56   | C4-BA11-4... 162 |
| 5052..... 154   | 6098..... 171   | 6541-DR..... 26 | BTL-16..... 58   | C4-BA13-3... 162 |
| 5053..... 155   | 6106..... 174   | 6541-DX..... 26 | BTL-19..... 59   | C4-PA18-8... 164 |
| 5057..... 155   | 6107-19.... 174 | 6541-FTL.... 27 | BTL-27..... 60   | C5-BA11-5... 161 |
| 5058..... 161   | 6111..... 175   | 6541-FTS.... 27 | BTS-10..... 54   | C5-BA13-4... 161 |
| 5060-5..... 155 | 6117..... 175   | 6541-FTX.... 27 | BTS-11..... 55   | C5-BA13-5... 161 |
| 5060-6..... 155 | 6118..... 175   | 6541-PL..... 27 | BTS-12..... 56   | C5-PA18-8... 165 |
| 5060-8..... 156 | 6119..... 175   | 6541-PM..... 27 | BTS-16..... 58   | DHL-10..... 105  |
| 5065-8..... 156 | 6120..... 175   | 6541-PS..... 27 | BTS-19..... 59   | DHL-11..... 106  |
| 5066-8..... 156 | 6121..... 175   | 6541-PX..... 27 | BTS-27..... 60   | DHL-12..... 108  |
| 5067-6..... 156 | 6122..... 175   | 6550-DS.... 172 | C10-E..... 39    | DHL-16..... 109  |
| 5068-3..... 157 | 6123..... 175   | 6550-FT.... 172 | C10-FTL.... 39   | DHL-19..... 111  |
| 5069-2..... 157 | 6124..... 175   | 6550-FTL.... 28 | C10-H..... 40    | DHL-27..... 112  |
| 6010..... 162   | 6126..... 175   | 6550-FTS.... 28 | C10-MM.... 40    | DHS-10..... 103  |
| 6013-3..... 163 | 6134..... 175   | 6550-FTX.... 28 | C10-PC.... 40    | DHS-11..... 106  |
| 6020..... 162   | 6135..... 175   | 6550-PL..... 28 | C10-W..... 40    | DHS-12..... 107  |
| 6030..... 162   | 62-U1110... 143 | 6550-PM..... 28 | C12-E..... 42    | DHS-16..... 109  |
| 6035..... 162   | 62-U1112... 143 | 6550-PS..... 28 | C12-FTL.... 42   | DHS-19..... 110  |
| 6040..... 163   | 62-U1114... 143 | 6550-PX..... 28 | C12-H..... 43    | DHS-27..... 112  |
| 6041..... 163   | 62-U1212... 143 | 6550-RP.... 172 | C12-PC.... 43    | DLS-10..... 103  |
| 6049..... 163   | 62-U5070... 164 | 6555-FTL.... 29 | C13-E..... 43    | DLS-11..... 105  |
| 6050..... 170   | 62-U5074... 164 | 6555-FTS.... 29 | C13-MM.... 43    | DLS-12..... 107  |
| 6052..... 173   | 62-U5079... 164 | 6555-FTX.... 29 | C13-PC.... 43    | DLS-16..... 108  |
| 6054..... 172   | 62-U6205... 171 | 6555-PL..... 29 | C2-PA18-4... 164 | DLS-19..... 110  |
| 6056..... 173   | 62-U6210... 171 | 6555-PM..... 29 | C20-DH.... 44    | DLS-27..... 111  |
| 6057..... 173   | 62-UDH10... 142 | 6555-PS..... 29 | C20-DL.... 44    | F4-RA30-2... 146 |
| 6060-BK.... 170 | 62-UDH12... 142 | 6555-PX..... 29 | C20-FTH.... 44   | F4-RA36-2... 146 |
| 6061..... 173   | 62-UDH14... 142 | 70-U7740... 143 | C20-FTL.... 44   | F4-RA48-2... 146 |
| 6063..... 173   | 62-UDH16... 142 | 7124..... 174   | C20-FTM.... 45   | F4-RA60-2... 146 |
| 6066..... 173   | 62-UDH18... 142 | 76-U1236... 143 | C20-GS..... 45   | F4-RA72-2... 146 |
| 6067..... 173   | 62-UDR10... 142 | 76-U1248... 143 | C20-NH.... 45    | F5-RA36-2... 147 |
| 6068..... 174   | 62-UDR12... 142 | 76-U1260... 143 | C20-NL.... 45    | F5-RA36-3... 147 |
| 6069..... 173   | 62-UDR14... 142 | 77-U1036... 141 | C20-X..... 45    | F5-RA48-2... 147 |
| 6070..... 174   | 62-UDR16... 142 | 77-U1048... 141 | C24-DH.... 49    | F5-RA48-3... 147 |
| 6071..... 174   | 62-UDR18... 142 | 77-U1060... 141 | C24-DL.... 49    | F5-RA60-2... 147 |
| 6072..... 174   | 6251..... 172   | 84-U0048... 145 | C24-FTH.... 50   | F5-RA60-3... 147 |
| 6073..... 174   | 6252..... 172   | 84-U0063... 145 | C24-FTL.... 50   | F5-RA72-2... 147 |
| 6081-22.... 174 | 6253..... 172   | 84-U1830... 145 | C24-FTM.... 50   | F5-RA72-3... 147 |
| 6082..... 170   | 6254..... 172   | 84-U1836... 145 | C24-GS..... 50   | FTH-10..... 69   |

# INDEX

|             |    |                  |                  |                  |             |             |     |
|-------------|----|------------------|------------------|------------------|-------------|-------------|-----|
| FTH-11..... | 72 | MML-11.....      | 97               | P4-RA60-3... 137 | TCL-16..... | 85          |     |
| FTH-12..... | 74 | MML-12.....      | 98               | P4-RS36-3... 137 | TCL-19..... | 86          |     |
| FTH-16..... | 76 | MML-16.....      | 99               | P4-RS60-3... 137 | TCL-27..... | 88          |     |
| FTH-19..... | 78 | MML-19.....      | 100              | PMC-10.....      | 121         | TCS-10..... | 82  |
| FTH-27..... | 81 | MML-27.....      | 102              | PMC-11.....      | 122         | TCS-11..... | 83  |
| FTL-10..... | 68 | MMR-10.....      | 96               | PMC-12.....      | 123         | TCS-12..... | 84  |
| FTL-11..... | 70 | MMR-11.....      | 97               | PMC-16.....      | 125         | TCS-16..... | 85  |
| FTL-12..... | 73 | MMR-12.....      | 98               | PMC-19.....      | 126         | TCS-19..... | 86  |
| FTL-16..... | 75 | MMR-16.....      | 99               | PMD-10.....      | 121         | TCS-27..... | 88  |
| FTL-19..... | 77 | MMR-19.....      | 100              | PMD-11.....      | 122         | X50-B.....  | 157 |
| FTL-27..... | 79 | MMR-27.....      | 102              | PMD-12.....      | 123         | X50-C.....  | 157 |
| FTM-10..... | 69 | N4-LS16-1... 165 | PMD-16.....      | 125              | X51-F.....  | 157         |     |
| FTM-11..... | 72 | N4-PS20-8... 165 | PMD-19.....      | 126              | Y30-C.....  | 174         |     |
| FTM-12..... | 74 | N4-RA12-3C . 166 | RPL-10.....      | 114              | Y31-A.....  | 173         |     |
| FTM-16..... | 76 | N4-RA36-3C . 134 | RPL-11.....      | 115              |             |             |     |
| FTM-19..... | 78 | N4-RA48-3C . 134 | RPL-12.....      | 116              |             |             |     |
| FTM-27..... | 81 | N4-RA60-3C . 134 | RPL-16.....      | 118              |             |             |     |
| FTR-10..... | 68 | N4-RA72-3C . 134 | RPL-19.....      | 119              |             |             |     |
| FTR-11..... | 70 | N4-RA84-3C . 134 | RPL-27.....      | 120              |             |             |     |
| FTR-12..... | 73 | N4-RA96-3C . 134 | RPS-10.....      | 114              |             |             |     |
| FTR-16..... | 75 | N4-RS36-3... 134 | RPS-11.....      | 115              |             |             |     |
| FTR-19..... | 77 | N4-RS48-3... 134 | RPS-12.....      | 116              |             |             |     |
| FTR-27..... | 79 | N4-RS60-3... 134 | RPS-16.....      | 118              |             |             |     |
| GSL-10..... | 61 | N4-RS72-3... 134 | RPS-19.....      | 119              |             |             |     |
| GSL-10..... | 89 | N4-RS84-3... 134 | RPS-27.....      | 120              |             |             |     |
| GSL-11..... | 62 | N4-RS96-3... 134 | S2-RA36-2... 138 |                  |             |             |     |
| GSL-11..... | 90 | N5-DS36-4... 135 | S2-RA48-2... 138 |                  |             |             |     |
| GSL-12..... | 64 | N5-DS48-4... 135 | S2-RA60-2... 138 |                  |             |             |     |
| GSL-12..... | 92 | N5-DS60-4... 135 | S2-RS36-2... 138 |                  |             |             |     |
| GSL-16..... | 65 | N5-DS72-4... 135 | S2-RS48-2... 138 |                  |             |             |     |
| GSL-16..... | 93 | N5-DS84-4... 135 | S2-RS60-2... 138 |                  |             |             |     |
| GSL-19..... | 66 | N5-DS96-4... 135 | S2-WA48-0 . 166  |                  |             |             |     |
| GSL-19..... | 94 | N5-LS16-1... 165 | S2-WA48-1 . 166  |                  |             |             |     |
| GSL-27..... | 67 | N5-PS20-8... 165 | S3-RA36-3... 139 |                  |             |             |     |
| GSL-27..... | 95 | N5-RA12-4C . 166 | S3-RA48-3... 139 |                  |             |             |     |
| GSR-10..... | 61 | N5-RA36-4C . 136 | S3-RA60-3... 139 |                  |             |             |     |
| GSR-10..... | 89 | N5-RA48-4C . 136 | S3-RS36-3... 139 |                  |             |             |     |
| GSR-11..... | 62 | N5-RA60-4C . 136 | S3-RS48-3... 139 |                  |             |             |     |
| GSR-11..... | 90 | N5-RA72-4C . 136 | S3-RS60-3... 139 |                  |             |             |     |
| GSR-12..... | 64 | N5-RA84-4C . 136 | S3-WA48-0 . 167  |                  |             |             |     |
| GSR-12..... | 92 | N5-RA96-4C . 136 | S3-WA48-1 . 167  |                  |             |             |     |
| GSR-16..... | 65 | N5-RS36-4... 136 | T4-RA36-3... 140 |                  |             |             |     |
| GSR-16..... | 93 | N5-RS48-4... 136 | T4-RA60-3... 140 |                  |             |             |     |
| GSR-19..... | 66 | N5-RS60-4... 136 | T4-RS36-3... 140 |                  |             |             |     |
| GSR-19..... | 94 | N5-RS72-4... 136 | T4-RS60-3... 140 |                  |             |             |     |
| GSR-27..... | 67 | N5-RS84-4... 136 | TCL-10.....      | 82               |             |             |     |
| GSR-27..... | 95 | N5-RS96-4... 136 | TCL-11.....      | 83               |             |             |     |
| MML-10..... | 96 | P4-RA36-3... 137 | TCL-12.....      | 84               |             |             |     |



# TAKE A FEW MINUTES TO WRITE DOWN THESE SIMPLE STEPS

## Plan your storage zones

For how long do you plan to use the vehicle?  A year  2–5 years  10 years or more (see page 4)  
 Will payload capacity be an issue?  Yes  No Why? \_\_\_\_\_  
 What type of industry are you in? \_\_\_\_\_

## What kind of partition do I need? (F zone)

Do I need to see my cargo or see out the side doors?  Yes  No  
 Do I need the ability to go from the cabin to the cargo area through the partition?  Yes  No

## List the equipment/products you will need to store

Place the items that you need most often in the most accessible locations.

|       | How often will you use this? |                          |                          | Zone      |
|-------|------------------------------|--------------------------|--------------------------|-----------|
|       | Daily                        | Weekly                   | Monthly                  | A-B-C-D-E |
| _____ | <input type="checkbox"/>     | <input type="checkbox"/> | <input type="checkbox"/> | _____     |
| _____ | <input type="checkbox"/>     | <input type="checkbox"/> | <input type="checkbox"/> | _____     |
| _____ | <input type="checkbox"/>     | <input type="checkbox"/> | <input type="checkbox"/> | _____     |
| _____ | <input type="checkbox"/>     | <input type="checkbox"/> | <input type="checkbox"/> | _____     |
| _____ | <input type="checkbox"/>     | <input type="checkbox"/> | <input type="checkbox"/> | _____     |

Will I need to carry larger objects  Yes  No

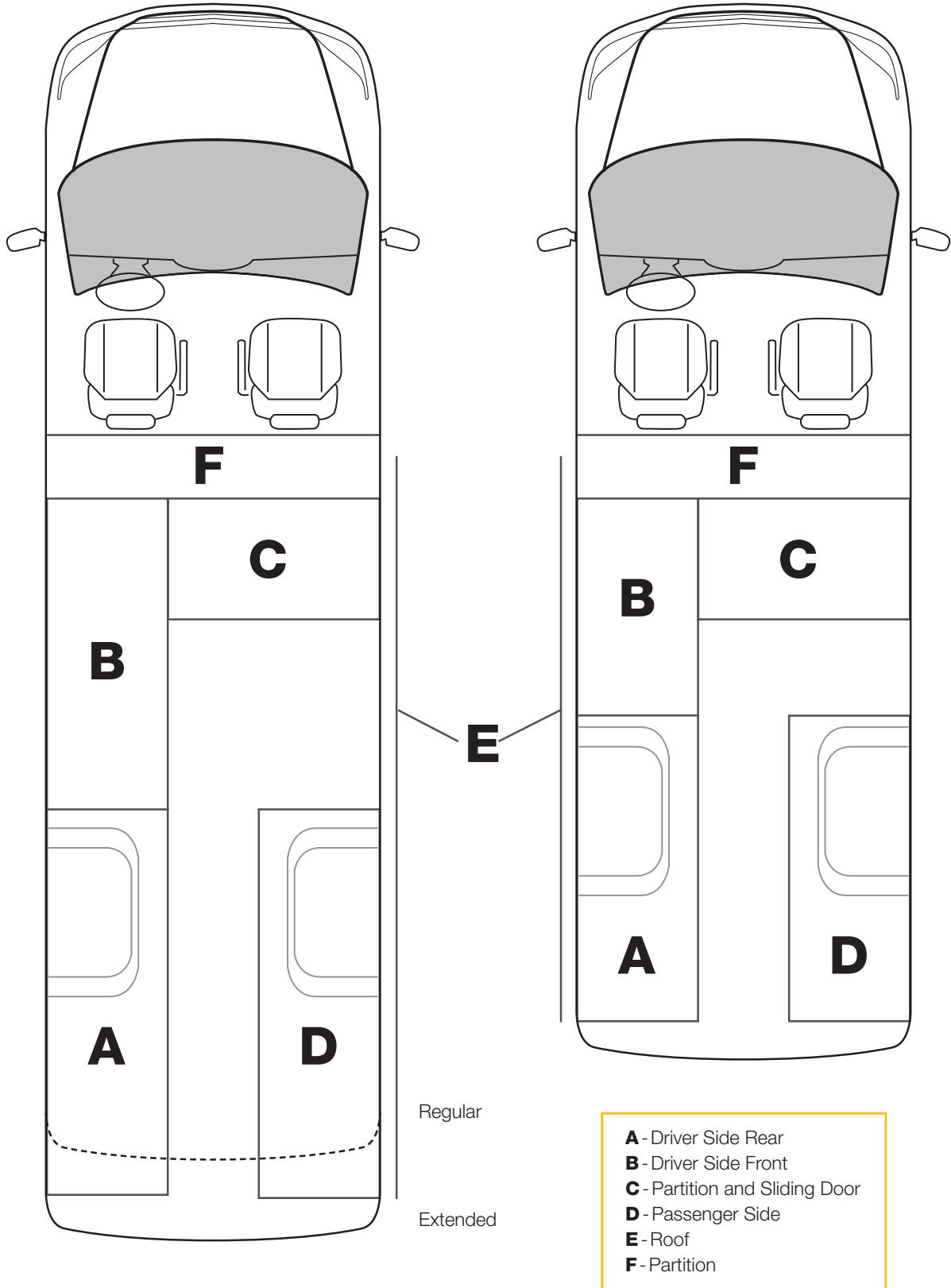
## List the tools you will need to carry

Place heavy tools closest to the access doors.

|       | How often will you use this? |                          |                          | Zone      |
|-------|------------------------------|--------------------------|--------------------------|-----------|
|       | Daily                        | Weekly                   | Monthly                  | A-B-C-D-E |
| _____ | <input type="checkbox"/>     | <input type="checkbox"/> | <input type="checkbox"/> | _____     |
| _____ | <input type="checkbox"/>     | <input type="checkbox"/> | <input type="checkbox"/> | _____     |
| _____ | <input type="checkbox"/>     | <input type="checkbox"/> | <input type="checkbox"/> | _____     |
| _____ | <input type="checkbox"/>     | <input type="checkbox"/> | <input type="checkbox"/> | _____     |
| _____ | <input type="checkbox"/>     | <input type="checkbox"/> | <input type="checkbox"/> | _____     |

What kind of ladder(s) will I be carrying? Step ladder Size \_\_\_\_\_ Extension ladders Size \_\_\_\_\_

# STORAGE ZONES





RANGER DESIGN

RANGER DESIGN

MAX RACK 2.0  
OPERATOR'S MANUAL

INTRODUCING THE NEW RANGER DESIGN  
MAX STEP

COMMERCIAL FLEET

TRANSIT

CHOOSE THE RIGHT RACK



**MAXIMIZE CARGO CAPACITY  
& VEHICLE PERFORMANCE  
WITH CONTRACTOR GRADE,  
ORGANIZED STORAGE SYSTEMS**

When you want the perfect upfit solution for your work vehicle, turn to Ranger Design. Crash-tested for toughness, Ranger Design's shelving and upfits will take whatever abuse you can dish out. Their unsurpassed craftsmanship, combined with ideal fit and finish, provide a quiet ride with no rattles.



**CONTACT US**

[cs@rangerdesign.com](mailto:cs@rangerdesign.com)

1-800-565-5321

[rangerdesign.com](http://rangerdesign.com)

